



Chipsmall Limited consists of a professional team with an average of over 10 year of expertise in the distribution of electronic components. Based in Hongkong, we have already established firm and mutual-benefit business relationships with customers from,Europe,America and south Asia,supplying obsolete and hard-to-find components to meet their specific needs.

With the principle of “Quality Parts,Customers Priority,Honest Operation,and Considerate Service”,our business mainly focus on the distribution of electronic components. Line cards we deal with include Microchip,ALPS,ROHM,Xilinx,Pulse,ON,Everlight and Freescale. Main products comprise IC,Modules,Potentiometer,IC Socket,Relay,Connector.Our parts cover such applications as commercial,industrial, and automotives areas.

We are looking forward to setting up business relationship with you and hope to provide you with the best service and solution. Let us make a better world for our industry!



Contact us

Tel: +86-755-8981 8866 Fax: +86-755-8427 6832

Email & Skype: info@chipsmall.com Web: www.chipsmall.com

Address: A1208, Overseas Decoration Building, #122 Zhenhua RD., Futian, Shenzhen, China



EP-5530

15" All-in-one POS System EP-5530-AR50 with Res Touch EP-5530-PD50 with Pcap Touch



Features

- 15" TFT LCD with Bezel Free Resistive or P-CAP Touch
- Fanless Operation with Intel® Celeron® J1900 Quad-core 2.0 GHz Processor
- Easy HDD Removal and Replacement Design
- Provide a Seamless and Smooth Surface and Resistant to Water, Dust, Grease, and Food Build-up
- Cost-effective Solution for Retail and Hospitality Market



Introduction

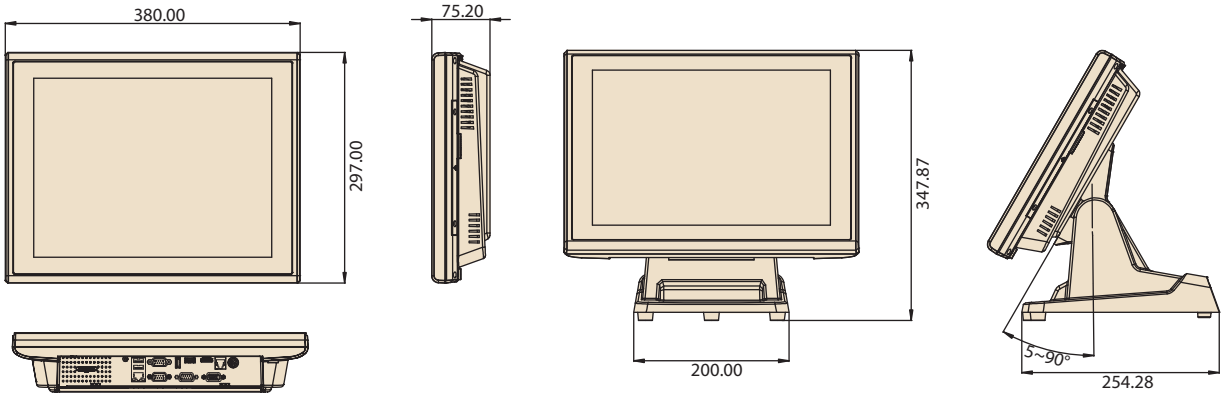
EP-5530 is the entry-level multi-purpose all-in-one Point-of-Sales system that makes it easy to get paid quickly, manage product inventory, build customer database, and repeat business with loyalty. Equipped with easy HDD removal and replacement design, EP-5530 integrates add-on key peripherals, such as Camera, RFID, IC Card Reader, MSR, Fingerprint, i-Button, VFD, 10.1"/12"/15" Second Display for diversified applications.

Specifications

	EP-5530-AR50	EP-5530-PD50
System	CPU	Intel® Celeron® J1900 quad-core processor 2.0 GHz
	Cache Memory	2MB 2nd level cache memory
	System Chipset	Intel® Bay Trail quad-core SoC
	System Memory	Maximum up to 8GB (SO-DIMM 1 x 204pin DDR3 LV 1333)
Storage	HDD Driver	1 x 2.5" SATA HDD bay
	SSD	mSATA
Main Display	Resolution	15" TFT LCD / 1024 x 768
	Brightness	250 cd/ m ² (Adjustable)
	Touch Screen	5-wire resistive touch (Default) P-CAP touch
I/O	Serial Port	4 x External: COM1, COM2, COM5, COM6(Pole-mount VFD)
	USB Port	4 x External USB (3 x USB 2.0, 1 x USB 3.0)
	Output	1 x VGA port 1 x HDMI port
	Audio	1 x Line-out & Mic-in
	Ethernet	1 x RJ-45 Gigabit Ethernet (10/100/1000)
	Cash Drawer	1 x RJ-11 (12V, 1 connector control 2 cash drawer)
Modular Option	Second Display	<ul style="list-style-type: none"> ▪ 10.1", 12", 15" TFT LCD (Touch/Non-Touch) ▪ VFD Display
	MSR	MSR only
	MSR (2-in-1)	MSR + RFID/IC Card Reader/i-Button/Fingerprint/Wifi
Mounting Option	Stand Base	Counter Top Base, adjustable View Angle
	Wall Mount	VESA Mount Bracket
	Pole Mount	Swing-arm Mounts, adjustable angle VESA
Mechanical & Environmental	Case Material	Plastic Housing
	Color Option	Black, White
	Power Supply	60W 12Vdc power adapter
	Operation Temperature	0 – 40° C operating
	Dimensions & Weight (D x W x H)	Metric: 272 x 380 x 329 mm / 6.8 Kg US: 10.71" x 14.96" x 12.95" / 14.99 lbs
	IP65	IP65 sealed front panel with touch screen
	EMI / Safety	FCC, CE, RoHS, CCC
Software	OS Support	Windows Embedded Industry Pro Retail 8.1, Windows Embedded 7 Pro, POSReady 7 and Linux Windows Embedded 10

Dimensions

Unit: mm



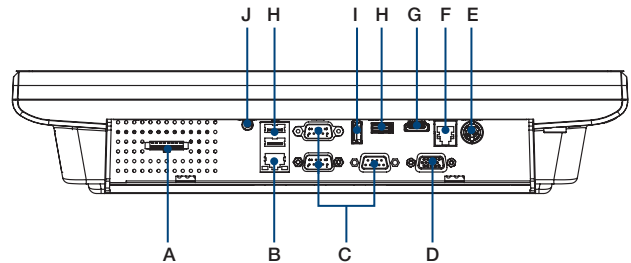
Ordering Information

Part No.	Description
ADP-EP-5530-AR5AX	EPOS 15" Baytrail, Resistive T/S, 2G DDR3L, Black ODM, w/o OS & HDD
ADP-EP-5530-PD5AX	EPOS 15" Baytrail, PCAP, 2G DDR3L, Black ODM, w/o OS & HDD

Peripherals for EP-5530

Part No.	Description
ADP-MR-1001-05000	1MR V1 MSR PS2 EP5530 Black
ADP-MR-1003-05000	1MR V1 MSR USB EP5530 Black
ADP-MR-2020-05000	2MR V1 RFID EP5530 Black
ADP-MR-2051-05000	2MR V1 MSR+Finger Printer PS2 EP5530 Black
ADP-MR-2054-05000	2MR V1 MSR+Finger USB_ Encryption EP5530 Black
ADP-MR-2081-05000	2MR V1 MSR+IC Card Reader PS2 EP5530 Black
ADP-BS-1004-00000	SCAN A-50M/U EP5 Black
ADP-BS-1104-00000	SCAN A-52M/U EP5 Black
ADP-BS-1404-00000	SCAN Z-5252SR/U EP5 Black

Fully-Integrated I/O



- A. COM 6/ 12V output
- B. LAN
- C. COM
- D. VGA
- E. 12V_{DC} Power Input
- F. Cash Drawer
- G. HDMI
- H. USB 2.0
- I. USB 3.0
- J. Line-Out & Mic-In

Second Display for EP-5530

Part No.	Description
ADP-VD-1010-50080	Rear mount_VFD WP2029C EP5 Black
ADP-VD-1370-50080	Rear mount_VFD LD901C EP5 Black (Alphanumeric and Compound (2-Bytes) Words)
ADP-VD-3010-34080	Pole mount_VFD WP2029C Aluminum Pole 30cm EP5 BK
ADP-VD-3010-44080	Pole mount_VFD WP2029C Plastic Pole 30CM EP5 BK
ADP-2D-0128-53000	2nd Display 10.1" VGA EP5530 Plastic Pole 22CM Glass Black
ADP-2D-0228-12000	2nd Display 12" PLBF1 VGA EP5530 Aluminum Pole 15CM Glass Black
ADP-2D-0628-12000	2nd Display 15" PLBF1 VGA Aluminum Pole 15CM Glass Black