



Chipsmall Limited consists of a professional team with an average of over 10 year of expertise in the distribution of electronic components. Based in Hongkong, we have already established firm and mutual-benefit business relationships with customers from,Europe,America and south Asia,supplying obsolete and hard-to-find components to meet their specific needs.

With the principle of "Quality Parts,Customers Priority,Honest Operation,and Considerate Service",our business mainly focus on the distribution of electronic components. Line cards we deal with include Microchip,ALPS,ROHM,Xilinx,Pulse,ON,Everlight and Freescale. Main products comprise IC,Modules,Potentiometer,IC Socket,Relay,Connector.Our parts cover such applications as commercial,industrial, and automotives areas.

We are looking forward to setting up business relationship with you and hope to provide you with the best service and solution. Let us make a better world for our industry!



Contact us

Tel: +86-755-8981 8866 Fax: +86-755-8427 6832

Email & Skype: info@chipsmall.com Web: www.chipsmall.com

Address: A1208, Overseas Decoration Building, #122 Zhenhua RD., Futian, Shenzhen, China



W-POS Series

WP-7530-PD50/WP-7530-ER50
WP-7530-PD60/WP-7530-ER60

15" Bezel Free Wall-mount POS with Intel D525 & Ivy Bridge Processor



Features

- 15" TFT LCD (LED backlight) with Bezel Free P-CAP or 5-wire Resistive Touch
- Fanless Operation with Intel Processor
- Integrated Stereo 2W+2W System Speakers
- 3 Mounting Options Available
- Unique Stand Base with Color and Logo Customization on the Back Cover (Option)
- Provide a Seamless and Smooth Surface and Resistant to Water, Dust, Grease, and Food Build-up
- Support 12V and 24V Powered USB Ports (Option)
- Support 12V/24V Powered USB
- Device Option: MSR, iButton, Fingerprint, IC card reader, RFID and WiFi
- Support WiFi (802.11b/g/n) and RFID(13.56MHz) with ISO 15693, ISO 14443 A/B
- RoHS Compliance

System	WP-7530-PD50 WP-7530-ER50	WP-7530-PD60 WP-7530-ER60
CPU	Intel® Atom™ Processor D525 1.8 GHz	Intel® IVY Bridge Processor Celeron / i3 / i5 / i7
Cache Memory	1MB 2nd Level Cache Memory	Smart cache memory (base on CPU)
System Chipset	Intel® D525 with ICH8M	Intel® QM77 (IVY Bridge)
System Memory	Default 1GB, maximum up to 4GB	Maximum up to 8GB

Storage		
HDD Driver	1 x 2.5" SATA HDD/SSD bay	
Main Display		
Resolution	15" TFT LCD (LED backlight) / 1024 x 768	
Brightness	250 cd/ m ²	
Touch Screen	Bezel free 5-wire resistive touch Bezel free P-CAP touch	

I/O	WP-7530-PD50 WP-7530-ER50	WP-7530-PD60 WP-7530-ER60
Serial Port	COM 1 & COM 2 (RS232 with RJ45), COM 5 (RS232/RS422/RS485 with RJ45)	COM 1 & COM 2 (RS232 with RJ45), COM 5 (RS232/RS422/RS485 with RJ45)
USB Port	USB 2.0 x 6	USB 2.0 x 4, USB 3.0 x 2
Video Output	VGA port	HDMI & VGA Port
Audio	Line out x 1, Speaker 2W x 2	
Ethernet	RJ-45 Gigabit Ethernet (10/100/1000) x 1	
Parallel Port	Bi-directional Parallel (D-Sub25) x 1	
Cash Drawer	RJ-11, 12V (default) / 24V (optional)	
Power Button	Power Switch (LED inside)	

Modular Option		
Second Display	<ul style="list-style-type: none"> • 15" / 10.1" TFT LCD (Touch/Non-Touch) • VFD Display(2 x 20, 5 or 9 mm Dot Character) 	
MSR	<ul style="list-style-type: none"> • MSR • iButton • Fingerprint 	<ul style="list-style-type: none"> • IC card reader • RFID (13.56MHz) • WiFi (802.11b/g/n)
MSR (2-in-1)	<ul style="list-style-type: none"> • MSR + iButton • MSR + Fingerprint • MSR + IC card reader 	<ul style="list-style-type: none"> • MSR + RFID (13.56MHz) • MSR + WiFi (802.11b/g/n)
Logo Cover	Back Logo & Stand Logo	

Mounting Option		
Stand Base	Counter Top Base, adjustable View Angle (default)	
Wall Mount	VESA Mount Bracket	
Pole Mount	Swing-arm Mounts, adjustable angle VESA	

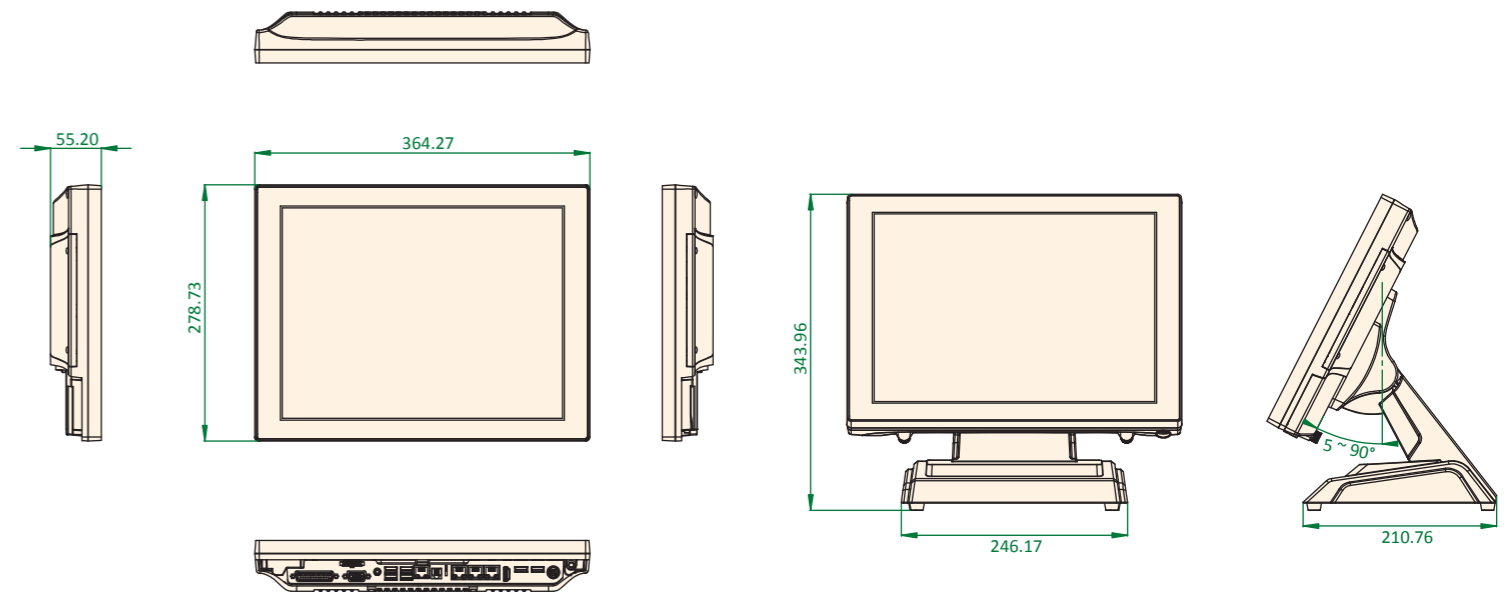
Mechanical & Environmental	WP-7530-PD50 WP-7530-ER50	WP-7530-PD60 WP-7530-ER60
Case Material	Aluminum die-casting (rear) and plastic housing (front)	
Case Color	Black	
Power Supply	12V / 60Watt Power Adaptor	19V /90Watt Power Adaptor
Dimensions & Weight	Stand base type Metric: 211 (D) x 365 (W) x 326 (H)mm / 6 Kg Wall mount type Metric: 59 (D) x 365 (W) x 279 (H)mm / 4.5 Kg	
IP Certification	IP65 sealed front panel with touch screen	
EMI / Safety	CE, FCC, RoHS	

Software		
OS Support	POS Ready 2009, Windows XP, POS Ready 7, Window 7 Pro	

▶ W-POS Series

WP-7530-PD50/WP-7530-ER50
WP-7530-PD60/WP-7530-ER60

Dimensions



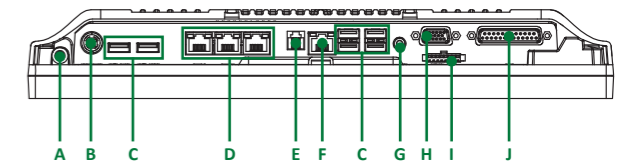
Unit: mm

Ordering Information

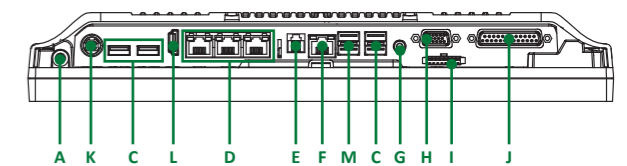
Part No.	Description
ADP-WP-7530-ER5AX	WP-7530, Resistive T/S, D525, 2G RAM, Black, OEM Logo
ADP-WP-7530-ER6AY	WP-7530, Resistive T/S, Core i5-3610ME, 4G RAM, Black, OEM Logo
ADP-WP-7530-PD5AX	WP-7530, PCAP, D525, 2G RAM, Black, OEM Logo
ADP-WP-7530-PD6AY	WP-7530, PCAP, Core i5-3610ME, 4G RAM, Black, OEM Logo
ADP-MR-2001-07000	MSR PS2 WP7 Black
ADP-MR-2020-07000	RFID USB WP7 Black
ADP-MR-2051-07000	MSR+ Finger Printer PS2 WP7 Black
ADP-MR-2061-07000	MSR+ iButton PS2 WP7 Black
ADP-MR-2071-07000	MSR+ RFID PS2 WP7 Black
ADP-MR-2081-07000	MSR+ IC Card Reader PS2 WP7 Black
ADP-VD-1020-500A0	Rear VFD WP2029C WP7 Black
ADP-VD-1120-500A0	Rear VFD WP2025C WP7 Black
ADP-2D-011A-00000	10.1 Rear mount VGA WP7 GX Black
ADP-2D-012A-53000	10.1 Pole VGA WP7 PLP 22CM Glass w/o LOGO Black
ADP-2D-062A-12000	15Plastic BF1 Pole VGA WP7 ALP 15CM GX BK

Fully-Integrated I/O

WP-7530-XX50



WP-7530-XX60



- A. Power Button
- B. DC 12V Input
- C. USB 2.0
- D. COM (RI, 5V, 12V optional)
- E. RJ11 (12V only)
- F. LAN
- G. Line-Out
- H. VGA
- I. 12V output
- J. LPT
- K. DC 19V Input
- L. HDMI
- M. USB 3.0