



Chipsmall Limited consists of a professional team with an average of over 10 year of expertise in the distribution of electronic components. Based in Hongkong, we have already established firm and mutual-benefit business relationships with customers from,Europe,America and south Asia,supplying obsolete and hard-to-find components to meet their specific needs.

With the principle of “Quality Parts,Customers Priority,Honest Operation,and Considerate Service”,our business mainly focus on the distribution of electronic components. Line cards we deal with include Microchip,ALPS,ROHM,Xilinx,Pulse,ON,Everlight and Freescale. Main products comprise IC,Modules,Potentiometer,IC Socket,Relay,Connector.Our parts cover such applications as commercial,industrial, and automotives areas.

We are looking forward to setting up business relationship with you and hope to provide you with the best service and solution. Let us make a better world for our industry!



## Contact us

Tel: +86-755-8981 8866 Fax: +86-755-8427 6832

Email & Skype: info@chipsmall.com Web: www.chipsmall.com

Address: A1208, Overseas Decoration Building, #122 Zhenhua RD., Futian, Shenzhen, China





# Chameleon Series CM-5500-AR70/AR80

15" Chameleon POS Terminal With Intel Haswell/ Baytrail Series Processor



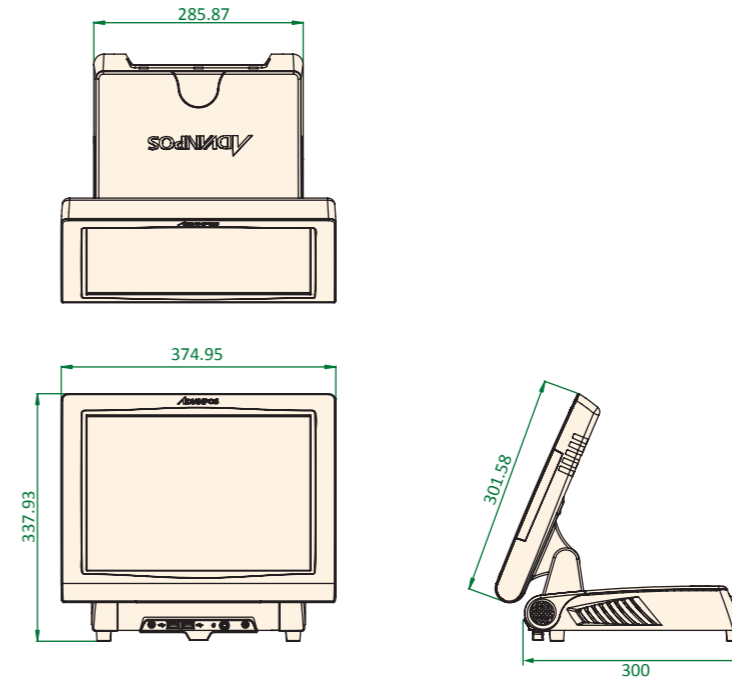
## Features

- 15" TFT LCD with Resistive Touch
- Intel® Haswell Core i7 / i5 / i3 / Pentium Processor
- Support System Memory Up to 16GB DDRIII SDRAM
- Excellent 3D Graphic Performance
- Plastic Housing
- Versatile 2nd Display Options
- 2 COM, 6 USB, 1 Gigabit LAN and 1 Full-sized mSATA Slot
- Device Options: MSR, i-Button, Finger-print, IC card reader
- Communications Options: RFID, WiFi or Bluetooth
- RoHS Compliance

System	CM-5500-AR70	CM-5500-AR80
<b>CPU</b>	Intel® Haswell Core i7 / i5 / i3 / Pentium processor with LGA1150 CPU socket	Intel® Celeron® J1900 quad-core processor 2.0 GHz
<b>Cache Memory</b>	Smart cache memory (base on CPU)	2MB 2nd level cache memory
<b>System Chipset</b>	Intel H81 (Haswell)	Intel® Bay Trail quad-core SoC
<b>System Memory</b>	Maximum up to 16GB DDR3	Maximum up to 8GB DDR3
Storage	CM-5500-AR70	CM-5500-AR80
<b>HDD Drive</b>	1 x 2.5" SATA HDD/SSD bay	1x2.5" SATA HDD/SSD Bay
<b>SATA speed</b>	SATA3 (6.0Gb/S)	SATA2 (3.0Gb/S)
<b>SSD</b>	1 x Full-sized mSATA slot	1 x Full-Sized mSATA
Main Display		
<b>Resolution</b>	15" TFT LCD (LED backlight) / 1024 x 768	
<b>Brightness</b>	250 cd/ m <sup>2</sup>	
<b>Touch Screen</b>	5-wire resistive touch	
I/O	CM-5500-AR70	CM-5500-AR80
<b>Serial Port</b>	External: COM1, COM2 (all Pin 9with +5V/12V)	COM1, COM2 (all Pin 9with +5V/12V)
<b>USB Port</b>	5 x USB 2.0, 1 x USB 3.0	4 x USB 2.0, 2 x USB 3.0
<b>Output</b>	1 x VGA port (D-Sub15) 1 x HDMI 1.4a port 1 x DVI-I port	1 x VGA port (D-Sub15) 1 x HDMI 1.4a port
<b>Audio</b>	1 x Line-out, 1 x Mic-in	1 x Line-out & Mic-in
<b>Ethernet</b>	1 x RJ-45 Gigabit Ethernet (10/100/1000)	1 x RJ-45 Gigabit Ethernet (10/100/1000)
<b>VFD connector</b>	1 x 8-pin (Only provided 12V power for 2nd display)	1 x 8-pin (Only provided 12V power for 2nd display)
<b>Cash Drawer</b>	RJ11 (12V/24V by external switch)	RJ11 (12V/24V by internal switch jumper)
<b>Power Button</b>	Power Switch (LED inside)	Power Switch (LED inside)
<b>Parallel Port</b>	N/A	1 x bi-directional parallel (D-Sub25)
Modular Option		
<b>Second Display</b>	<ul style="list-style-type: none"> <li>• 15" 10.1" TFT LCD (Touch/Non-Touch)</li> <li>• Embedded VFD Display (2 x 20, 5 or 9 mm Dot Character)</li> </ul>	
<b>MSR (3-in-1)</b>	<ul style="list-style-type: none"> <li>• MSR</li> <li>• MSR + IC card reader</li> <li>• MSR + iButton/ Fingerprint/ RFID (13.56KHz) (optional)</li> <li>• MSR + iButton/ Fingerprint/ RFID (13.56KHz) + IC card reader</li> </ul>	
<b>Wi-Fi/ Bluetooth</b>	WiFi (802.11b/g/n) or Bluetooth	
Mechanical & Environmental	CM-5500-AR70	CM-5500-AR80
<b>Case Material</b>	Plastic housing	
<b>Case Color</b>	Default Yellow/Gray, Red/Gray, Black/Gray, White/Gray Customization pattern can be made by request	
<b>Power Supply</b>	150W 12V power Adaptor	60W 12V power Adaptor
<b>Operation Temperature</b>	0 ~ 40° C operating with 2.5" SATA HDD	
<b>Dimensions &amp; Weight</b>	Metric: 352 (D) x 375 (W) x 350 (H)mm / 9 Kg US: 13.86 (D) x 14.76 (W) x 13.78 (H) / 19.84 lbs	
<b>IP Certification</b>	IP65 sealed front panel with touch screen	
<b>EMI / Safety</b>	CE, FCC, RoHS, CCC (optional)	
Software		
<b>OS Support</b>	Windows 7 Pro Embedded, POSReady 7, Windows 8 Pro Embedded, Linux Kernel 3.13 or above	

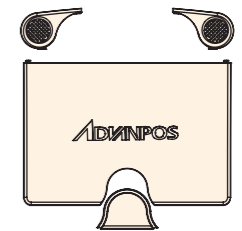
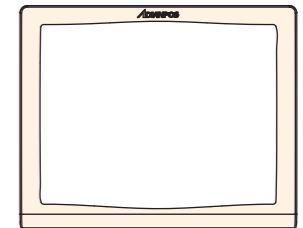
# Chameleon Series CM-5500-AR70/AR80

## Dimensions



Unit: mm

Color Kit Package (Black/ White/ Red/ Yellow)

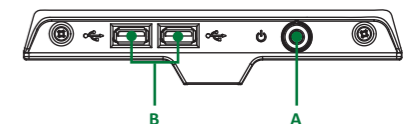


## Ordering Information

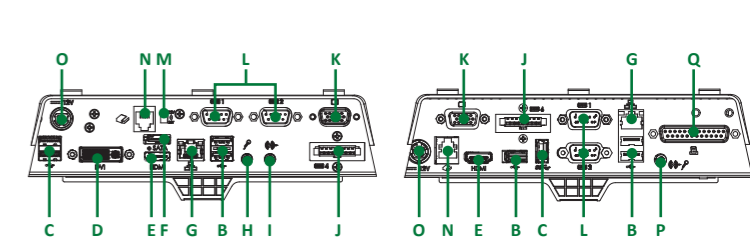
Part No.	Description
ADP-CM-5500-AR70Y	15" Haswell i5-4570T, Resistive T/S, 4G DDR3, ADP Logo, Black ODM, w/o OS & HDD
ADP-CM-5500-AR80X	15" Baytrail, Resistive T/S, 2G DDR3L, ADP Logo, Black ODM, w/o OS & HDD
96AP165122454000	RAM DDR3 2G/204/1333 (For CM5500-AR70)
96AP165122464000	RAM DDR3 2G/204/1600 LV (For CM5500-AR80)
96AP165122554000	RAM DDR3 4G/204/1333 (For CM5500-AR70)
96AP165122564000	RAM DDR3 4G/204/1600 LV (For CM5500-AR80)
96ND500G-ST-SG5K4	SG 500G 2.5" SATAIII 5KRPM 16MB 7MM 4K
ADP-MR-5001-06003	MSR PS2 CM55 Grey
ADP-MR-5030-06003	Finger Printer CM55 Grey
ADP-MR-5051-06003	MSR+ Finger Printer PS2 Grey
ADP-MR-5061-06003	MSR+ iButton PS2 Grey
ADP-MR-5071-06003	MSR+ RFID PS2 Grey
ADP-MR-5081-06003	MSR+ IC Card Reader PS2 Grey
ADP-MR-50A1-06003	MSR+ iButton+ IC Card Reader PS2 Grey
ADP-MR-50B1-06003	MSR+ Finger Printer+ IC Card Reader PS2 Grey
ADP-VD-3010-32074	Pole mount_VFD WP2029C Aluminum Pole 15CM Black
ADP-VD-3010-34074	Pole mount_VFD WP2029C Aluminum Pole 30CM Black
ADP-VD-3260-43074	Pole mount_VFD WD-304 Plastic Pole 22CM Black (Alphanumeric and Compound Words)
ADP-2D-0127-42006	10.1" Pole VGA Aluminum Pole 15CM Black
ADP-2D-0127-53004	10.1 Pole VGA Plastic 22CM Glass Black
ADP-2D-0727-12004	15" Pole VGA Aluminum Pole Glass Grey

## Fully-Integrated I/O

### Front I/O



### Rear I/O



- A. Power Button
- B. USB 2.0
- C. USB 3.0
- D. DVI
- E. HDMI
- F. eSATA
- G. LAN
- H. Mic-in
- I. Line-out
- J. COM/12V
- K. VGA
- L. COM
- M. Cash Drawer 12V/24V Switch
- N. RJ11- Cash Drawer
- O. 12V Input
- P. Mic-in & Line-out
- Q. Parallel Port

## Color Kit Ordering Information

Part No.	Description
ADP-CM5-0000000000	COLOR KIT _Black
ADP-CM5-0000000002	COLOR KIT _Red
ADP-CM5-0000000004	COLOR KIT _White
ADP-CM5-0000000006	COLOR KIT _Yellow
ADP-CM5-0000000010	COLOR KIT _Black w/ AdvanPOS Logo
ADP-CM5-0000000012	COLOR KIT _Red w/ AdvanPOS Logo
ADP-CM5-0000000014	COLOR KIT _White w/ AdvanPOS Logo
ADP-CM5-0000000016	COLOR KIT _Yellow w/ AdvanPOS Logo