



Chipsmall Limited consists of a professional team with an average of over 10 year of expertise in the distribution of electronic components. Based in Hongkong, we have already established firm and mutual-benefit business relationships with customers from,Europe,America and south Asia,supplying obsolete and hard-to-find components to meet their specific needs.

With the principle of “Quality Parts,Customers Priority,Honest Operation,and Considerate Service”,our business mainly focus on the distribution of electronic components. Line cards we deal with include Microchip,ALPS,ROHM,Xilinx,Pulse,ON,Everlight and Freescale. Main products comprise IC,Modules,Potentiometer,IC Socket,Relay,Connector.Our parts cover such applications as commercial,industrial, and automotives areas.

We are looking forward to setting up business relationship with you and hope to provide you with the best service and solution. Let us make a better world for our industry!



Contact us

Tel: +86-755-8981 8866 Fax: +86-755-8427 6832

Email & Skype: info@chipsmall.com Web: www.chipsmall.com

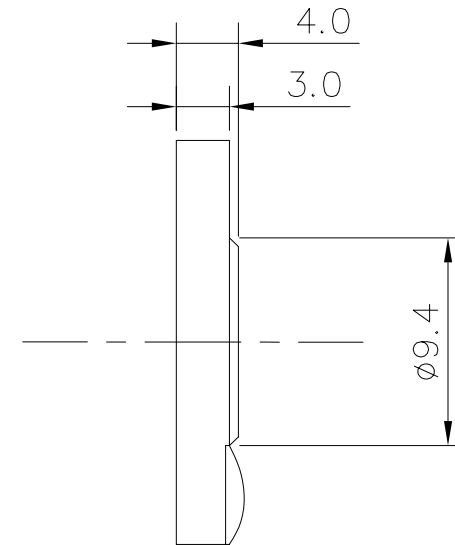
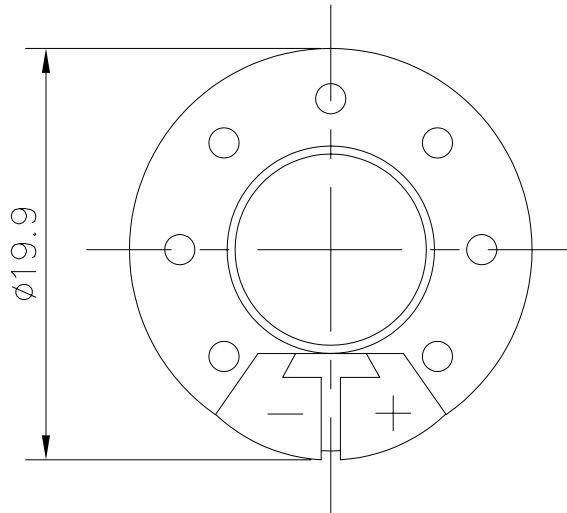
Address: A1208, Overseas Decoration Building, #122 Zhenhua RD., Futian, Shenzhen, China



THIS DOCUMENT CONTAINS DATA PROPRIETARY TO PROJECTS UNLIMITED, INC. ANY USE OR REPRODUCTION, IN ANY FORM, WITHOUT PRIOR WRITTEN PERMISSION OF PROJECTS UNLIMITED, INC. IS PROHIBITED.
©2003, Projects Unlimited Inc.

SPECIFICATIONS

PARAMETERS	VALUES	UNITS
RATED INPUT POWER	0.08	W
MAX INPUT POWER	0.2	W
IMPEDANCE	8±15%	OHM
OUTPUT SPL @ 0.08W/10 cm (AT 1.0, 1.2, 1.5, 2.0 kHz)	86±3	dB
DISTORTION	5%	-
RESONANT FREQUENCY	750±20%	Hz
FREQUENCY RANGE	750 ~ 5,000	Hz
HOUSING MATERIAL	ABS UL-94 1/16" HB	-
CONE MATERIAL	SILVER POLYESTER	-
MAGNET MATERIAL	Nd-Fe-B	-
OPERATING TEMPERATURE	-20 ~ +55	°C
WEIGHT	2.3	grams




REVISIONS			
LTR	DESCRIPTION	DATE	APPROVED
-	RELEASED FROM ENGINEERING	4/11/02	
A	REVISED TO NEW TEMPLATE	4/14/04	R. W.
B	ADDED MISSING DIMENSIONS	1/6/05	R. W.

NOTES:

1. ALL DIMENSIONS ARE IN MILLIMETERS.
2. SPECIFICATION SUBJECT TO CHANGE OR WITHDRAWAL WITHOUT NOTICE.

FILE NAME
ADS-2008.DWG

UNLESS OTHERWISE SPECIFIED: DIMENSIONS ARE IN MILLIMETERS, TOLERANCES ARE ±0.5 AND ANGLES ARE ±3°.		 projects® unlimited		Dayton , Ohio
APPROVALS		MINIATURE SPEAKER TRANSDUCER ADS-2008		
DRAWN	RABL	DATE	4/02	
APPROVED	S. J.	DATE	8/02	
SIZE	A	DRAWING NO. ADS-2008		
DO NOT SCALE DRAWING		SCALE: N.T.S.	SHEET 1 OF 1	