



Chipsmall Limited consists of a professional team with an average of over 10 year of expertise in the distribution of electronic components. Based in Hongkong, we have already established firm and mutual-benefit business relationships with customers from,Europe,America and south Asia,supplying obsolete and hard-to-find components to meet their specific needs.

With the principle of “Quality Parts,Customers Priority,Honest Operation,and Considerate Service”,our business mainly focus on the distribution of electronic components. Line cards we deal with include Microchip,ALPS,ROHM,Xilinx,Pulse,ON,Everlight and Freescale. Main products comprise IC,Modules,Potentiometer,IC Socket,Relay,Connector.Our parts cover such applications as commercial,industrial, and automotives areas.

We are looking forward to setting up business relationship with you and hope to provide you with the best service and solution. Let us make a better world for our industry!



Contact us

Tel: +86-755-8981 8866 Fax: +86-755-8427 6832

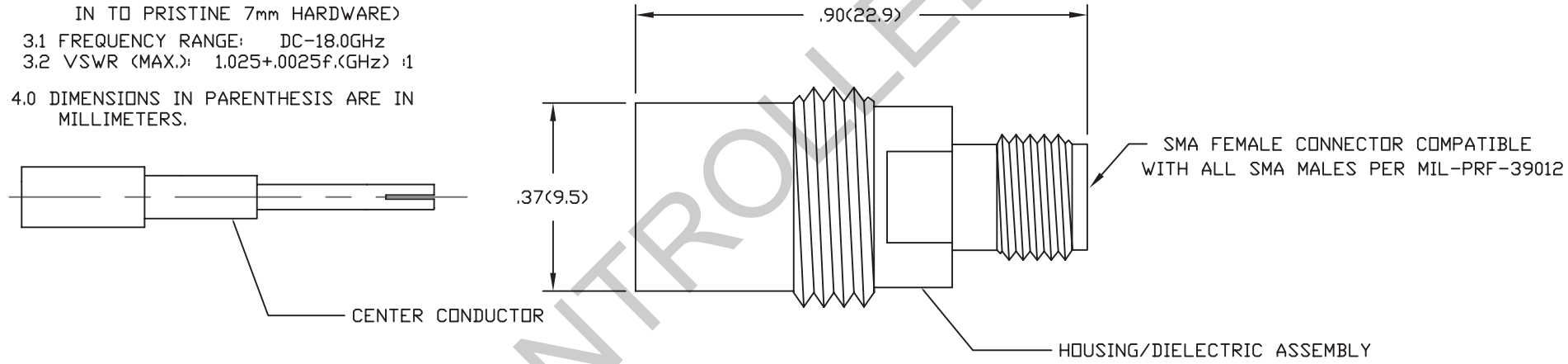
Email & Skype: info@chipsmall.com Web: www.chipsmall.com

Address: A1208, Overseas Decoration Building, #122 Zhenhua RD., Futian, Shenzhen, China



MODEL NUMBER
ADT-2543-7M-SMF-02

- NOTES:
- 1.0 MATERIALS: ALL PER MIL-PRF-39012
 - 1.1 HOUSING: STAINLESS STEEL PER ASTM-A582, TYPE 303.
 - 1.2 CENTER CONTACT: BERYLLIUM COPPER ROD ALLOY C172, PER ASTM-B194.
 - 1.3 DIELECTRIC: PTFE FLUOROCARBON PER ASTM-D1457.
 - 2.0 PLATING: ALL PER MIL-PRF-39012
 - 2.1 HOUSING: PASSIVATED PER MIL-F-14072 AND QQ-P-35.
 - 2.2 CENTER CONTACT: GOLD PER MIL-G-45204, TYPE , CLASS 2.
 - 3.0 ELECTRICAL SPECIFICATION:
(WHEN PROPERLY INSTALLED AND SHIMMED IN TO PRISTINE 7mm HARDWARE)
 - 3.1 FREQUENCY RANGE: DC-18.0GHz
 - 3.2 VSWR (MAX.): 1.025+.0025F.(GHz) :1
 - 4.0 DIMENSIONS IN PARENTHESIS ARE IN MILLIMETERS.




UNCONTROLLED COPY

REV.	DESCRIPTION	DATE
-	RELEASED	6/29/01

NOTICE: The information contained in this drawing is proprietary and must not be used without the permission of Cinch Connectivity Solutions.

UNLESS OTHERWISE NOTED DIMENSIONS ARE IN INCHES AND TOLERANCES ARE:
 3 PLACE DECIMALS ±.005
 2 PLACE DECIMALS ±.02
 FRACTIONS ±1/64
 PARALLELITY: T.I.R. _____
 FLATNESS: T.I.R. _____
 CONCENTRICITY: T.I.R. _____
 ANGLES AND PERPENDICULARITY: ±1°

CAGE CODE 34078		MIDWEST MICROWAVE	
		TITLE ADAPTER - REBUILD KIT FOR 7MM TO SMA FEMALE OUTLINE DRAWING	
		DRAWING NUMBER ADT-2543-7M-SMF-02-01	REV. -
DRAWN/DATE J.VERNON 6/22/98 CHECKED/DATE	ENG./DATE C.RIGGE 6/28/01 APPROVED/DATE	SCALE: 5=1	SHEET 1 of 1