



Chipsmall Limited consists of a professional team with an average of over 10 year of expertise in the distribution of electronic components. Based in Hongkong, we have already established firm and mutual-benefit business relationships with customers from,Europe,America and south Asia,supplying obsolete and hard-to-find components to meet their specific needs.

With the principle of “Quality Parts,Customers Priority,Honest Operation,and Considerate Service”,our business mainly focus on the distribution of electronic components. Line cards we deal with include Microchip,ALPS,ROHM,Xilinx,Pulse,ON,Everlight and Freescale. Main products comprise IC,Modules,Potentiometer,IC Socket,Relay,Connector.Our parts cover such applications as commercial,industrial, and automotives areas.

We are looking forward to setting up business relationship with you and hope to provide you with the best service and solution. Let us make a better world for our industry!



## Contact us

Tel: +86-755-8981 8866 Fax: +86-755-8427 6832

Email & Skype: info@chipsmall.com Web: www.chipsmall.com

Address: A1208, Overseas Decoration Building, #122 Zhenhua RD., Futian, Shenzhen, China



MODEL NUMBER  
ADT-2578-NF-SMM-02

NOTES:

1.0 MATERIALS:

- 1.1 HOUSINGS AND COUPLING NUT: STAINLESS STEEL PER ASTM-A582, TYPE 303.
- 1.2 CENTER CONTACTS: BERYLLIUM COPPER ROD ALLOY C172, PER ASTM-B196
- 1.3 DIELECTRIC: PTFE FLUOROCARBON PER ASTM-D1457.

2.0 PLATING:

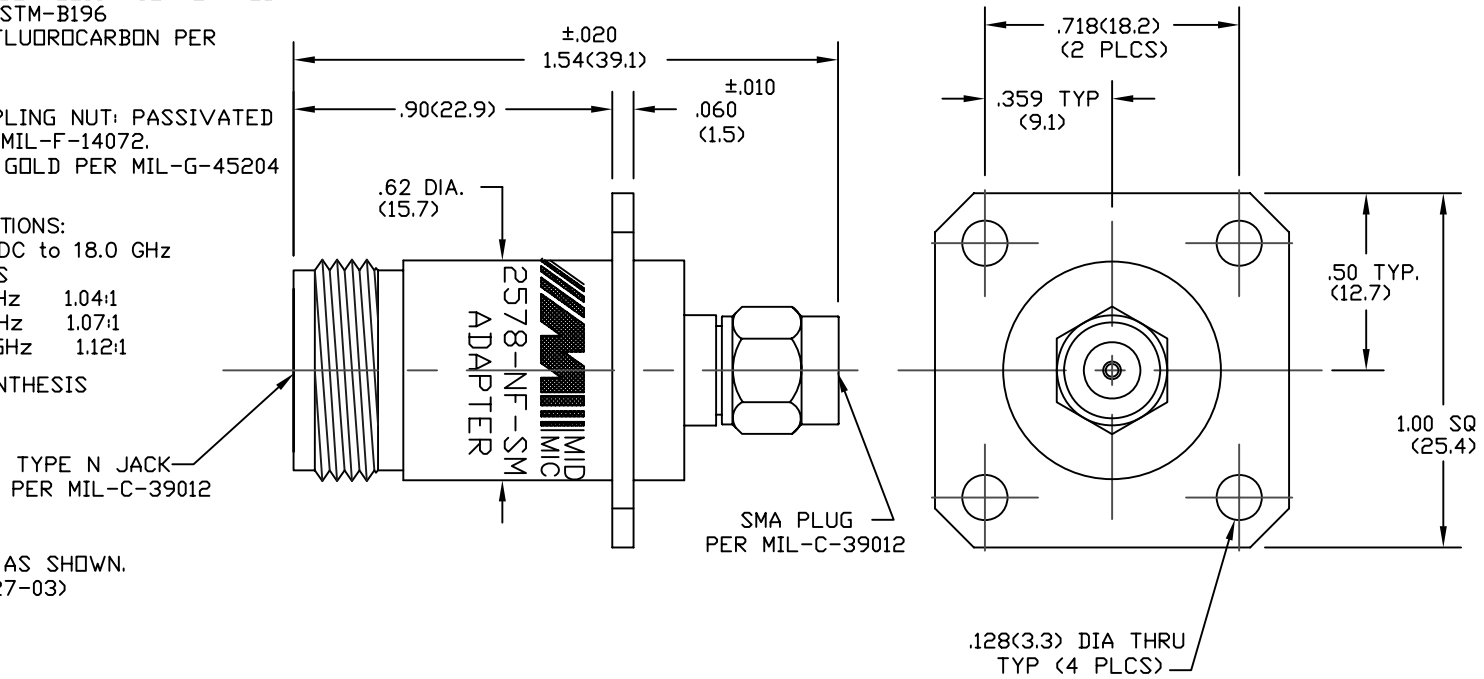
- 2.1 HOUSINGS AND COUPLING NUT: PASSIVATED PER QQ-P-35 AND MIL-F-14072.
- 2.2 CENTER CONTACTS: GOLD PER MIL-G-45204 TYPE II, CLASS 2

3.0 ELECTRICAL SPECIFICATIONS:

- 3.1 FREQUENCY RANGE: DC to 18.0 GHz
- 3.2 IMPEDENCE: 50 OHMS
- 3.3 VSWR: DC to 4.0 GHz 1.04:1  
4.0 to 8.0 GHz 1.07:1  
8.0 to 18.0 GHz 1.12:1

4.0 DIMENSIONS IN PARENTHESIS ARE MILLIMETERS.

5.0 MARKING: MARK UNIT AS SHOWN. (REF.: INK-02669-27-03)



DWG NO. WAS: 02393-01-00

REV.	DESCRIPTION	DATE
-	RELEASED	7/1/80
A	ECR 2393	4/21/83
B	ECR 6545	6/29/89
C	ECN 10356	4/19/91
D	ON CHG/UPDATE SPEC&MARK	12/28/92
D1	ADDED TITLEBLOCK	3/9/05

NOTICE: The information contained in this drawing is proprietary and must not be used without the permission of Emerson Network Power.

UNLESS OTHERWISE NOTED DIMENSIONS ARE IN INCHES AND TOLERANCES ARE:  
 3 PLACE DECIMALS ±.005  
 2 PLACE DECIMALS ±.02  
 FRACTIONS ±1/64  
 PARALLELITY: T.I.R. \_\_\_\_\_  
 FLATNESS: T.I.R. \_\_\_\_\_  
 CONCENTRICITY: T.I.R. \_\_\_\_\_  
 ANGLES AND PERPENDICULARITY: ±1°

CAGE CODE <b>34078</b>		<b>MIDWEST MICROWAVE</b>	
 <b>EMERSON</b> Network Power Connectivity Solutions		TITLE TYPE N FEMALE TO SMA MALE ADAPTER OUTLINE DRAWING	
		DRAWN/DATE A.BEATTY 12/28/92	ENG./DATE A.OSGA 12/29/92
DRAWING NUMBER ADT-2578-NF-SMM-02-01		REV. D1	
CHECKED/DATE M.HOLLMAN 12/29/92		APPROVED/DATE	
SCALE: 5=1		SHEET 1 of 1	