



Chipsmall Limited consists of a professional team with an average of over 10 year of expertise in the distribution of electronic components. Based in Hongkong, we have already established firm and mutual-benefit business relationships with customers from,Europe,America and south Asia,supplying obsolete and hard-to-find components to meet their specific needs.

With the principle of “Quality Parts,Customers Priority,Honest Operation,and Considerate Service”,our business mainly focus on the distribution of electronic components. Line cards we deal with include Microchip,ALPS,ROHM,Xilinx,Pulse,ON,Everlight and Freescale. Main products comprise IC,Modules,Potentiometer,IC Socket,Relay,Connector.Our parts cover such applications as commercial,industrial, and automotives areas.

We are looking forward to setting up business relationship with you and hope to provide you with the best service and solution. Let us make a better world for our industry!



Contact us

Tel: +86-755-8981 8866 Fax: +86-755-8427 6832

Email & Skype: info@chipsmall.com Web: www.chipsmall.com

Address: A1208, Overseas Decoration Building, #122 Zhenhua RD., Futian, Shenzhen, China



NOTES:

1.0 MATERIALS:

- 1.1 HOUSING AND COUPLING NUT: STAINLESS STEEL PER QQ-S-764 AND ASTM-A-582, TYPE 303.
- 1.2 CENTER CONTACT: BERYLLIUM COPPER ROD ALLOY C172, PER QQ-C-530.
- 1.3 DIELECTRIC: PTFE FLUOROCARBON PER MIL-P-19468 AND L-P-403

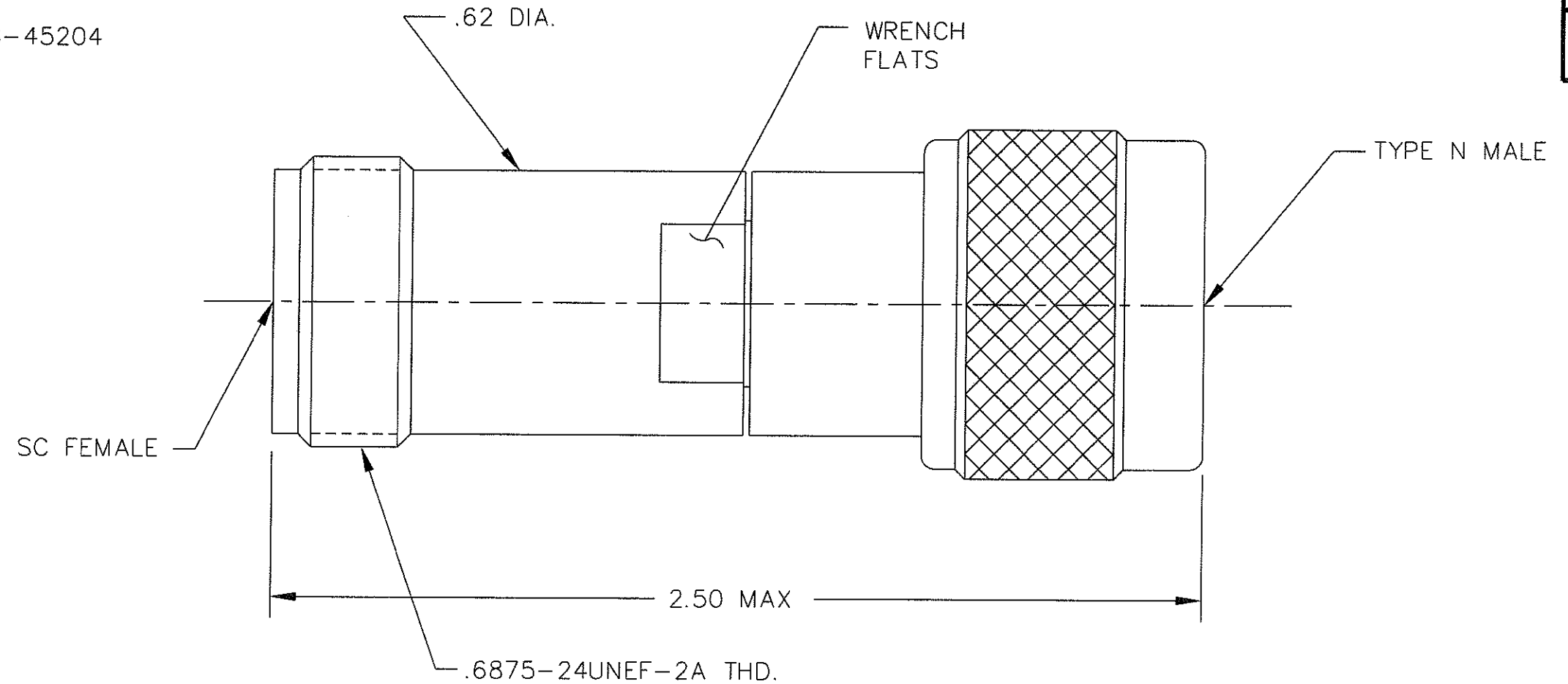
2.0 PLATING:

- 2.1 HOUSING AND COUPLING NUT: PASSIVATED PER QQ-P-35 AND MIL-F-14072.
- 2.2 CENTER CONTACT: GOLD PER MIL-G-45204 TYPE II, CLASS 2

3.0 ELECTRICAL SPECIFICATIONS:

- 3.1 FREQUENCY RANGE: DC to 8.0 GHz
- 3.2 VSWR: 1.10:1 MAX.

MODEL NUMBER
ADT-2638-NM-SCF-02
REV.
-2



REV.	DESCRIPTION	DATE
-	RELEASED	12/12/90
-1	UPDATE MODEL NO.	2/21/91
-2	ADDED TITLEBLOCK	3/10/05

UNLESS OTHERWISE NOTED DIMENSIONS ARE IN INCHES AND TOLERANCES ARE:		FSCM NO. 34078		MIDWEST MICROWAVE	
3 PLACE DECIMALS ±.005		NOTICE: The information contained in this drawing is proprietary and must not be used without the permission of Midwest Microwave		TITLE ADAPTER	
2 PLACE DECIMALS ±.02					
FRACTIONS ±1/64					
PARALLELITY: T.I.R. _____					
FLATNESS: T.I.R. _____		DRAWN/DATE A.BEATTY 12/11/90	ENG./DATE R.FAWSON 12/12/90	DRAWING NUMBER ADT-2638-NM-SCF-02	
CONCENTRICITY: T.I.R. _____		CHECKED/DATE D.SIEWERT 12/12/90	APPROVED/DATE	SCALE: 3=1	
ANGLES AND PERPENDICULARITY: ±1°				SHEET 1 of 1	