



Chipsmall Limited consists of a professional team with an average of over 10 year of expertise in the distribution of electronic components. Based in Hongkong, we have already established firm and mutual-benefit business relationships with customers from,Europe,America and south Asia,supplying obsolete and hard-to-find components to meet their specific needs.

With the principle of "Quality Parts,Customers Priority,Honest Operation,and Considerate Service",our business mainly focus on the distribution of electronic components. Line cards we deal with include Microchip,ALPS,ROHM,Xilinx,Pulse,ON,Everlight and Freescale. Main products comprise IC,Modules,Potentiometer,IC Socket,Relay,Connector.Our parts cover such applications as commercial,industrial, and automotives areas.

We are looking forward to setting up business relationship with you and hope to provide you with the best service and solution. Let us make a better world for our industry!



Contact us

Tel: +86-755-8981 8866 Fax: +86-755-8427 6832

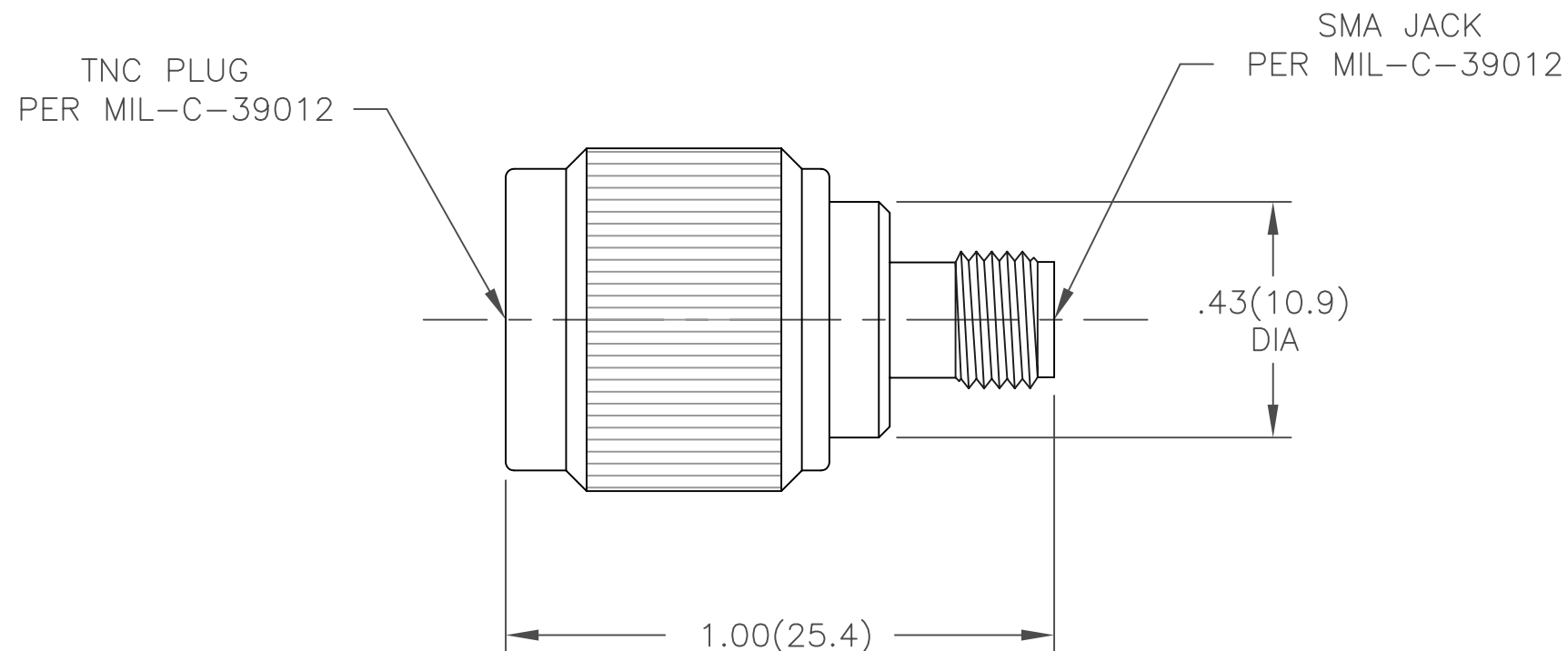
Email & Skype: info@chipsmall.com Web: www.chipsmall.com

Address: A1208, Overseas Decoration Building, #122 Zhenhua RD., Futian, Shenzhen, China



NOTES:

- 1.0 MATERIALS
 - 1.1 HOUSING AND COUPLING NUT: STAINLESS STEEL PER ASTM-A582, TYPE 303.
 - 1.2 CENTER CONTACT: BERYLLIUM COPPER ROD PER ALLOY C172, PER ASTM B196.
 - 1.3 DIELECTRIC: PTFE FLUOROCARBON PER ASTM-D1457.
- 2.0 PLATING
 - 2.1 HOUSING AND COUPLING NUT: PASSIVATED PER QQ-P-35 AND MIL-F-14072.
 - 2.2 CENTER CONTACT: GOLD PER MIL-G-45204 TYPE II , CLASS 2.
- 3.0 ELECTRICAL SPECIFICATIONS
 - 3.1 FREQUENCY RANGE: DC to 18.0 GHz.
 - 3.2 VSWR (MAX): 1.07+.015 fGHz
 - 3.3 IMPEDANCE: 50 OHMS.
- 4.0 MARKING
 - 4.1 MARKING NOT REQUIRED.
- 5.0 DIMENSIONS IN PARENTHESIS ARE MILLIMETERS.



DWG. NO. WAS: 04178-01-00

NOTICE: The information contained in this drawing is proprietary and must not be used without the permission of Emerson Network Power. UNLESS OTHERWISE NOTED DIMENSIONS ARE IN INCHES AND TOLERANCES ARE: 3 PLACE DECIMALS ±.005 2 PLACE DECIMALS ±.02 FRACTIONS ±1/64 PARALLELITY: T.I.R. _____ FLATNESS: T.I.R. _____ CONCENTRICITY: T.I.R. _____ ANGLES AND PERPENDICULARITY: ±1°	CAGE CODE 34078	MIDWEST MICROWAVE	
			TITLE ADAPTER OUTLINE DRAWING
DRAWN/DATE M.HOLLMAN 11/24/92	ENG./DATE A.OSGA 12/2/92	DRAWING NUMBER ADT-2686-TM-SMF-02-01	REV. F1
CHECKED/DATE A.BEATTY 12/1/92	APPROVED/DATE G.HOUGHTON 3/28/02	SCALE: 3=1	SHEET 1 of 1

REV.	DESCRIPTION	DATE
-	RELEASED	12/2/92
A	ECR 1526	5/19/82
B	ECR 1561	6/21/82
C	ECR 1747	10/12/82
D	ECR 6545	7/10/89
D1	UPDATE MOD #	8/5/92
E	REDRAW ON CAD, UPDATE DWG. SPECS. TO CATALOG SPECS.	11/24/92
F	ECN 18450	3/28/02
F1	ECO 23142	1/3/11