



Chipsmall Limited consists of a professional team with an average of over 10 year of expertise in the distribution of electronic components. Based in Hongkong, we have already established firm and mutual-benefit business relationships with customers from,Europe,America and south Asia,supplying obsolete and hard-to-find components to meet their specific needs.

With the principle of "Quality Parts,Customers Priority,Honest Operation,and Considerate Service",our business mainly focus on the distribution of electronic components. Line cards we deal with include Microchip,ALPS,ROHM,Xilinx,Pulse,ON,Everlight and Freescale. Main products comprise IC,Modules,Potentiometer,IC Socket,Relay,Connector.Our parts cover such applications as commercial,industrial, and automotives areas.

We are looking forward to setting up business relationship with you and hope to provide you with the best service and solution. Let us make a better world for our industry!



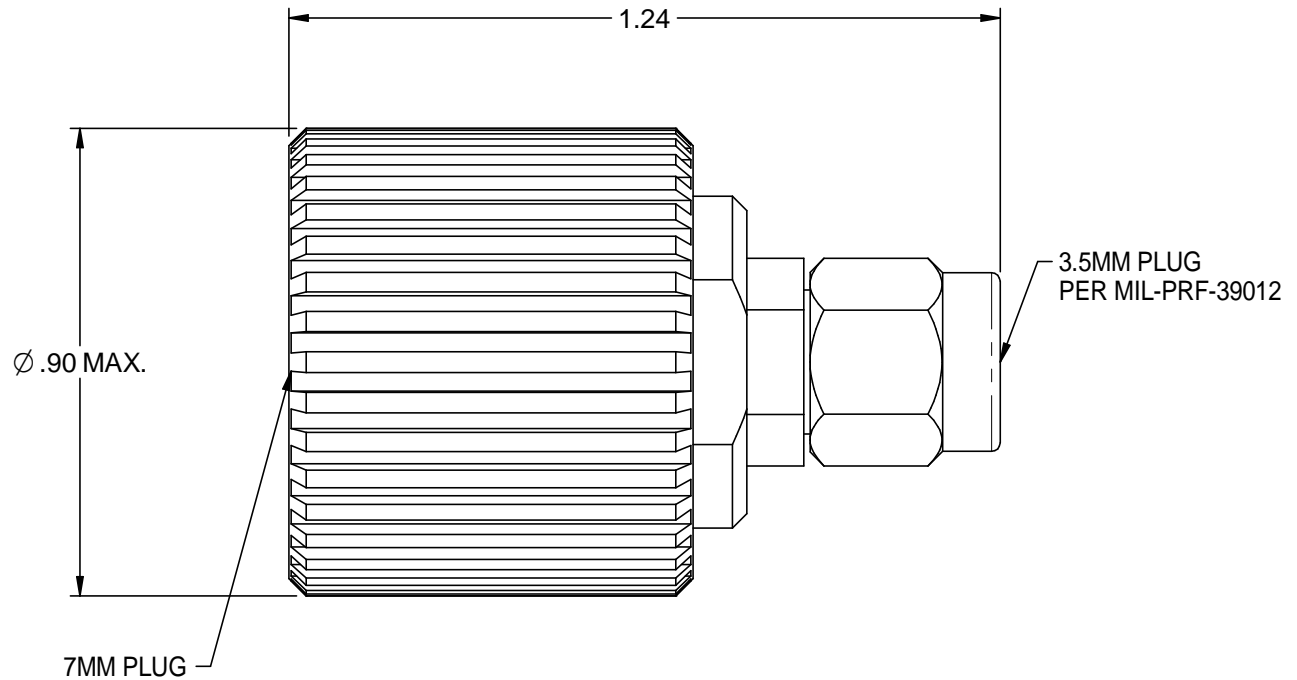
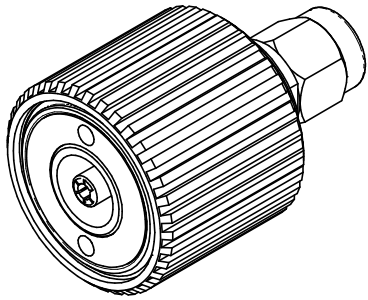
## Contact us

Tel: +86-755-8981 8866 Fax: +86-755-8427 6832

Email & Skype: [info@chipsmall.com](mailto:info@chipsmall.com) Web: [www.chipsmall.com](http://www.chipsmall.com)

Address: A1208, Overseas Decoration Building, #122 Zhenhua RD., Futian, Shenzhen, China





NOTES: UNLESS OTHERWISE SPECIFIED.

1. MATERIALS & FINISH:

- 1.1 COUPLING NUTS, OUTER 7MM HOUSINGS & 3.5MM HOUSING: PASSIVATED STAINLESS STEEL.
- 1.2 INNER 7MM HOUSING & CENTER CONTACT: GOLD PLATED BERYLLIUM COPPER.
- 1.3 SUPPORT BEADS: NORYL
- 1.4 RETAINING RING: UNPLATED BERYLLIUM COPPER
- 1.5 GASKET: SILICONE RUBBER.

2. ELECTRICAL SPECIFICATION:

- 2.1 FREQUENCY RANGE: DC TO 18.0 GHz
- 2.2 VSWR (MAXIMUM) 1.025 + 0.0025f(GHz)

<p><b>cinch</b> CONNECTIVITY SOLUTIONS a bel group</p> <p>This PROPRIETARY Document is property of Cinch Connectivity Solutions. It is confidential in nature, non-transferable, and issued with the clear understanding that it is not to be traded or copied without permission and is returnable upon demand.</p> <p>INTERPRET DRAWING IN ACCORDANCE WITH ASME Y14.5-2009.</p>	<p>3RD ANGLE PROJECTION</p>	<p><b>MIDWEST MICROWAVE</b></p>	
	<p>RoHS2 <input checked="" type="checkbox"/></p> <p>2011/65/EU</p>	<p>Title: ADAPTER - 7MM PLUG TO 3.5MM PLUG</p>	
<p>UNLESS OTHERWISE SPECIFIED</p> <p>.XX ±.02</p> <p>.XXX ±.005</p> <p>ANGLES ±2°</p>		<p>Model No. ADT-2701-7M-3MM-02-01</p>	
<p>Size A</p>	<p>DO NOT SCALE DRAWING</p>	<p>Date: 10/20/2014</p>	<p>Sheet 1 of 1</p>