



Chipsmall Limited consists of a professional team with an average of over 10 year of expertise in the distribution of electronic components. Based in Hongkong, we have already established firm and mutual-benefit business relationships with customers from,Europe,America and south Asia,supplying obsolete and hard-to-find components to meet their specific needs.

With the principle of “Quality Parts,Customers Priority,Honest Operation,and Considerate Service”,our business mainly focus on the distribution of electronic components. Line cards we deal with include Microchip,ALPS,ROHM,Xilinx,Pulse,ON,Everlight and Freescale. Main products comprise IC,Modules,Potentiometer,IC Socket,Relay,Connector.Our parts cover such applications as commercial,industrial, and automotives areas.

We are looking forward to setting up business relationship with you and hope to provide you with the best service and solution. Let us make a better world for our industry!



## Contact us

Tel: +86-755-8981 8866 Fax: +86-755-8427 6832

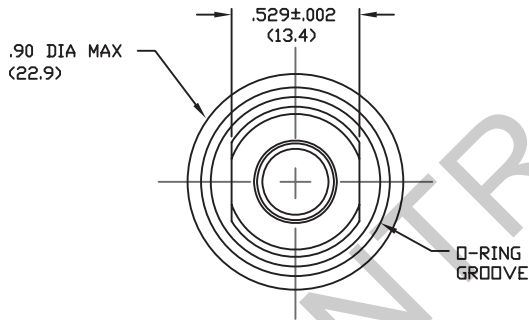
Email & Skype: info@chipsmall.com Web: www.chipsmall.com

Address: A1208, Overseas Decoration Building, #122 Zhenhua RD., Futian, Shenzhen, China

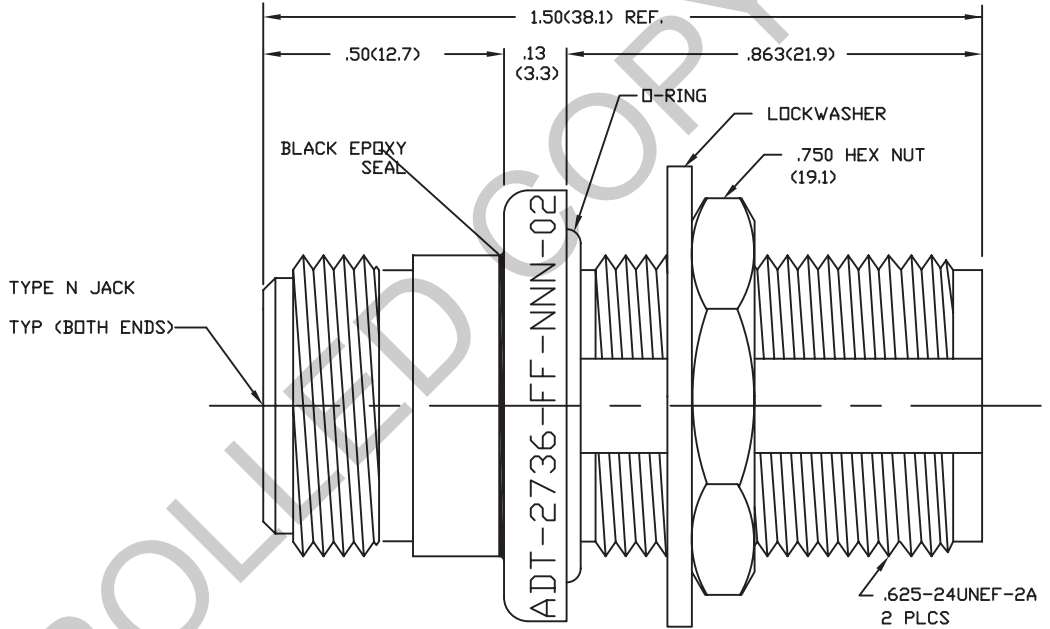


**NOTES:**

- 1.0 MATERIALS:
  - 1.1 HOUSINGS & WASHER: STAINLESS STEEL PER ASTM-A582, TYPE 303.
  - 1.2 CENTER CONTACT: BERYLLIUM COPPER ROD ALLOY C172, PER ASTM-B196.
- 2.0 PLATING:
  - 2.1 HOUSING & WASHER: PASSIVATED PER MIL-F-14072 AND QQ-P-35
  - 2.2 CENTER CONTACT: GOLD PER MIL-G-45204, TYPE II, CLASS 2
- 3.0 MECHANICAL
  - 3.1 INTERFACE: MIL-STD-348 IN ACCORDANCE WITH MIL-C-39012.
  - 3.2 CENTER CONTACT CAPTURED IN ACCORDANCE WITH MIL-C-39012
- 4.0 DIMENSIONS IN PARENTHESIS ARE IN PER MIL-C-39012 MILLIMETERS.
- 5.0 ELECTRICAL SPECIFICATIONS
  - 5.1 FREQ. RANGE: DC to 18.0 GHz
  - 5.2 VSWR: 1.15:1 MAX.
  - 5.3 INSERTION LOSS: 0.25dB MAX.
  - 5.4 IMPEDANCE: 50 OHMS
- 6.0 MARKING: MARK UNIT AS SHOWN (REF.: INK-06819-27-06)



END VIEW  
(NOT TO SCALE)




DWG NO. WAS: 06719-01-00

**NOTICE:** The information contained in this drawing is proprietary and must not be used without the permission of Cinch Connectivity Solutions.

**UNLESS OTHERWISE NOTED DIMENSIONS ARE IN INCHES AND TOLERANCES ARE:**

3 PLACE DECIMALS ±.005  
2 PLACE DECIMALS ±.02

FRACTIONS ±1/64  
PARALLELITY: T.I.R.  
FLATNESS: T.I.R.  
CONCENTRICITY: T.I.R.  
ANGLES AND PERPENDICULARITY: ±1'

CAGE CODE <b>34078</b>		<b>MIDWEST MICROWAVE</b>	
		TITLE ADAPTER-TYPE N BULKHEAD FEEDTHRU PRECISION JACK OUTLINE DRAWING	
		DRAWING NUMBER ADT-2736-FF-NNN-02-01	REV. D
DRAWN/DATE A.BEATTY 10/12/93	ENG./DATE A.OSGA 10/18/93	SCALE: 5=1	
CHECKED/DATE M.HÖLLMANN 10/18/93	APPROVED/DATE G.HOUGHTON 11/14/01	SHEET 1 of 1	

REV.	DESCRIPTION	DATE
-	RELEASED	7/18/86
A	ECR 4638	7/18/86
B	ECR 6545	8/1/89
C	NO CAD/UPDATE MARKING	10/12/93
D	ECN 18203	11/14/01

MODEL NUMBER  
ADT-2736-FF-NNN-02