



Chipsmall Limited consists of a professional team with an average of over 10 year of expertise in the distribution of electronic components. Based in Hongkong, we have already established firm and mutual-benefit business relationships with customers from,Europe,America and south Asia,supplying obsolete and hard-to-find components to meet their specific needs.

With the principle of “Quality Parts,Customers Priority,Honest Operation,and Considerate Service”,our business mainly focus on the distribution of electronic components. Line cards we deal with include Microchip,ALPS,ROHM,Xilinx,Pulse,ON,Everlight and Freescale. Main products comprise IC,Modules,Potentiometer,IC Socket,Relay,Connector.Our parts cover such applications as commercial,industrial, and automotives areas.

We are looking forward to setting up business relationship with you and hope to provide you with the best service and solution. Let us make a better world for our industry!



## Contact us

Tel: +86-755-8981 8866 Fax: +86-755-8427 6832

Email & Skype: info@chipsmall.com Web: www.chipsmall.com

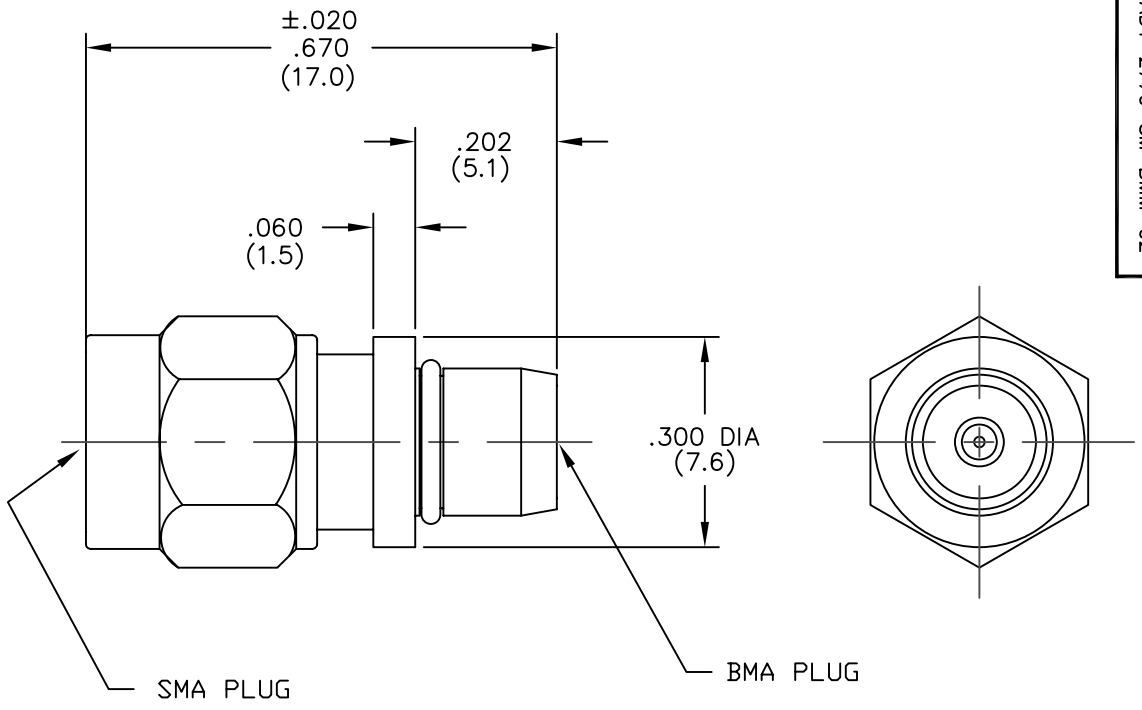
Address: A1208, Overseas Decoration Building, #122 Zhenhua RD., Futian, Shenzhen, China



MODEL NUMBER  
ADT-2770-SM-BMM-02

NOTES:

- 1.0 MATERIALS:
  - 1.1 HOUSING AND COUPLING NUT: STAINLESS STEEL PER QQ-S-764 AND ASTM-A-582, TYPE 303.
  - 1.2 CENTER CONTACT: BERYLLIUM COPPER ROD ALLOY C172, PER QQ-C-530.
  - 1.3 DIELECTRIC: PTFE FLUOROCARBON PER MIL-P-19468 AND L-P-403
- 2.0 PLATING:
  - 2.1 HOUSING AND COUPLING NUT: PASSIVATED PER QQ-P-35 AND MIL-F-14072.
  - 2.2 CENTER CONTACT: GOLD PER MIL-G-45204 TYPE II, CLASS 2
- 3.0 MECHANICAL:
  - 3.1 INTERFACE PER MIL-STD-348 IN ACCORDANCE WITH MIL-C-39012.
  - 3.2 CENTER CONTACT CAPTURED IN ACCORDANCE WITH MIL-A-55339.
- 4.0 DIMENSIONS IN PARENTHESIS ARE MILLIMETERS.
- 5.0 ELECTRICAL:
  - 5.1 FREQUENCY RANGE: DC to 18GHz
  - 5.2 MAX V.S.W.R.: 1.05+0.005 (GHz)



(OLD MODEL #'S 2770 & ADT-2770-MM-000-02)

REV.	DESCRIPTION	DATE
-	RELEASED	9/12/90
-1	CHANGE MODEL #	1/8/91
A	ECN 17697	11/3/00

NOTICE: The information contained in this drawing is proprietary and must not be used without the permission of Emerson Network Power.  UNLESS OTHERWISE NOTED DIMENSIONS ARE IN INCHES AND TOLERANCES ARE: 3 PLACE DECIMALS ±.005 2 PLACE DECIMALS ±.02 FRACTIONS ±1/64 PARALLELITY: T.I.R. FLATNESS: T.I.R. CONCENTRICITY: T.I.R. ANGLES AND PERPENDICULARITY: ±1'	CASE CODE <b>34078</b>	<b>MIDWEST MICROWAVE</b>	
			TITLE SMA MALE TO BMA MALE ADT OUTLINE DRAWING
	DRAWN/DATE D.SIEWERT 9/12/90	ENG./DATE A.BEATTY 9/20/90	DRAWING NUMBER ADT-2770-SM-BMM-02-01
CHECKED/DATE J.W. 9/13/90	APPROVED/DATE T.GORDON 9/20/90	SCALE: 5=1	SHEET 1 of 1