



Chipsmall Limited consists of a professional team with an average of over 10 year of expertise in the distribution of electronic components. Based in Hongkong, we have already established firm and mutual-benefit business relationships with customers from,Europe,America and south Asia,supplying obsolete and hard-to-find components to meet their specific needs.

With the principle of "Quality Parts,Customers Priority,Honest Operation,and Considerate Service",our business mainly focus on the distribution of electronic components. Line cards we deal with include Microchip,ALPS,ROHM,Xilinx,Pulse,ON,Everlight and Freescale. Main products comprise IC,Modules,Potentiometer,IC Socket,Relay,Connector.Our parts cover such applications as commercial,industrial, and automotives areas.

We are looking forward to setting up business relationship with you and hope to provide you with the best service and solution. Let us make a better world for our industry!



Contact us

Tel: +86-755-8981 8866 Fax: +86-755-8427 6832

Email & Skype: info@chipsmall.com Web: www.chipsmall.com

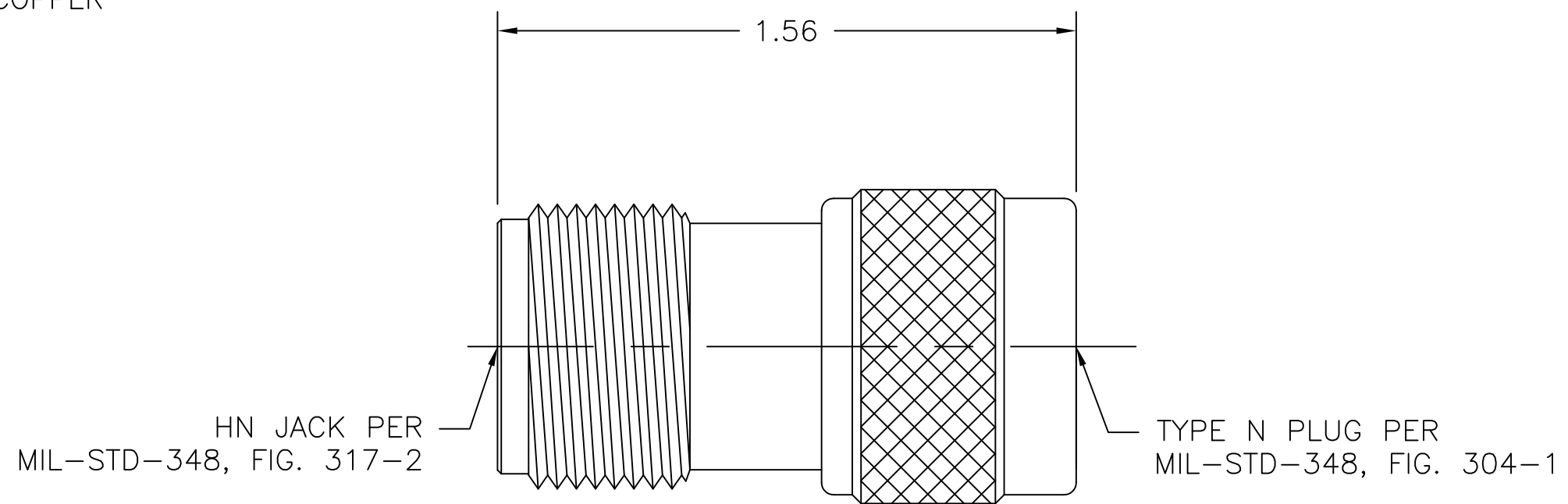
Address: A1208, Overseas Decoration Building, #122 Zhenhua RD., Futian, Shenzhen, China




NOTES: UNLESS OTHERWISE SPECIFIED.

1. MATERIALS & FINISH:
 - 1.1 HOUSING & NUT: PASSIVATED STAINLESS STEEL
 - 1.2 CENTER CONTACT: GOLD PLATED BERYLLIUM COPPER
 - 1.3 DIELECTRIC: PTFE (TEFLON)
 - 1.4 GASKET: SILICONE RUBBER
2. ELECTRICAL SPECIFICATIONS:
 - 2.1 FREQUENCY RANGE: DC TO 8 GHz
 - 2.2 VSWR (MAX):
 - DC TO 4 GHz: 1.08:1
 - 4 TO 8 GHz: 1.20:1
 - 2.3 IMPEDANCE: 50 OHMS NOMINAL
3. MECHANICAL:

CENTER CONTACT CAPTURED IN ACCORDANCE WITH MIL-A-55339.



| REV. | DESCRIPTION | DATE |
|------|------------------|---------|
| -1 | ADDED TITLEBLOCK | 3/17/05 |
| A | ECO 25450 | 9/28/15 |

| | | | | |
|---|--|---|--------------------------|--|
| This PROPRIETARY Document is property of Cinch Connectivity Solutions. It is confidential in nature, non-transferable, and issued with the clear understanding that it is no traced or copied without permission and is returnable upon demand. INTERPRET DRAWING ACCORDANCE WITH ASME Y14.5-2009. | | CAGE CODE 34078 | MIDWEST MICROWAVE | |
| UNLESS OTHERWISE NOTED DIMENSIONS ARE IN INCHES AND TOLERANCES ARE: 3 PLACE DECIMALS ±.005 2 PLACE DECIMALS ±.02 FRACTIONS ±1/64 PARALLELITY: T.I.R. _____ FLATNESS: T.I.R. _____ CONCENTRICITY: T.I.R. _____ ANGLES AND PERPENDICULARITY: ±1° | |  | | TITLE ADAPTER HN JACK TO TYPE N PLUG |
| DRAWN/DATE M. HOLLMAN 12/15/94 | ENG./DATE A. OSGA 12/16/94 | DRAWING NUMBER ADT-2791-NM-HNF-02-01 | | REV. A |
| CHECKED/DATE A. BEATTY 12/15/94 | APPROVED/DATE J. KEREKES 9/28/15 | SCALE: 2=1 | SHEET 1 of 1 | |