



Chipsmall Limited consists of a professional team with an average of over 10 year of expertise in the distribution of electronic components. Based in Hongkong, we have already established firm and mutual-benefit business relationships with customers from,Europe,America and south Asia,supplying obsolete and hard-to-find components to meet their specific needs.

With the principle of “Quality Parts,Customers Priority,Honest Operation,and Considerate Service”,our business mainly focus on the distribution of electronic components. Line cards we deal with include Microchip,ALPS,ROHM,Xilinx,Pulse,ON,Everlight and Freescale. Main products comprise IC,Modules,Potentiometer,IC Socket,Relay,Connector.Our parts cover such applications as commercial,industrial, and automotives areas.

We are looking forward to setting up business relationship with you and hope to provide you with the best service and solution. Let us make a better world for our industry!



Contact us

Tel: +86-755-8981 8866 Fax: +86-755-8427 6832

Email & Skype: info@chipsmall.com Web: www.chipsmall.com

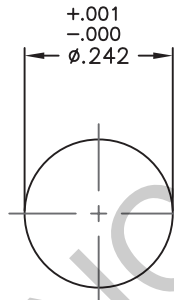
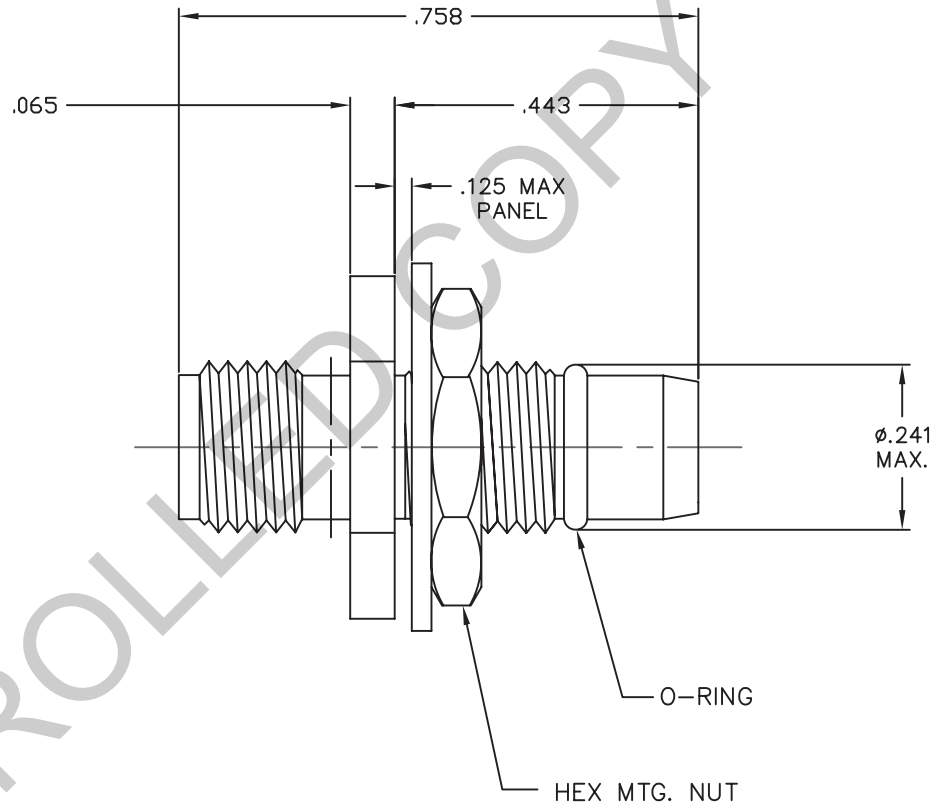
Address: A1208, Overseas Decoration Building, #122 Zhenhua RD., Futian, Shenzhen, China



MODEL NUMBER
ADT-2797-SF-BMM-02

NOTES:


- 1.0 MATERIAL:
 - 1.1 HOUSING: STAINLESS STEEL PER ASTM-A582 TYPE 303.
 - 1.2 DIELECTRIC: PTFE FLUOROCARBON PER MIL-P-19468 AND L-P-403.
 - 1.3 CENTER CONTACT: BERYLLIUM COPPER ROD ALLOY C172 PER QQ-C-530
- 2.0 PLATING:
 - 2.1 HOUSING: PASSIVATED PER QQ-P-35 AND MIL-F-14072.
 - 2.2 CENTER CONTACT: GOLD PER MIL-G-45204 TYPE II, CLASS 2.
- 3.0 MECHANICAL:
 - 3.1 INTERFACE PER MIL-STD-348 IN ACCORDANCE WITH MIL-C-39012.
 - 3.2 CENTER CONTACT CAPTURED IN ACCORDANCE WITH MIL-A-55339.
- 4.0 DIMENSIONS IN PARENTHESIS ARE MILLIMETERS.
- 5.0 ELECTRICAL:
 - 5.1 FREQUENCY RANGE: DC to 18GHz
 - 5.2 MAX V.S.W.R.: 1.05+0.005 (GHz)
- 6.0 BAGGING:
 - 6.1 BAG LOCK WASHER, NUT AND GASKET LOOSE.



RECOMMENDED MOUNTING HOLE

NOTICE: The information contained in this drawing is proprietary and must not be used without the permission of Cinch Connectivity Solutions.

UNLESS OTHERWISE NOTED DIMENSIONS ARE IN INCHES AND TOLERANCES ARE:
 3 PLACE DECIMALS ±.005
 2 PLACE DECIMALS ±.02
 FRACTIONS ±1/64
 PARALLELITY: T.I.R. _____
 FLATNESS: T.I.R. _____
 CONCENTRICITY: T.I.R. _____
 ANGLES AND PERPENDICULARITY: ±1'

CAGE CODE 34078		MIDWEST MICROWAVE	
		TITLE SMA FEMALE JACK TO BMA MALE PLUG OUTLINE DRAWING	
		DRAWN/DATE M. STAFFORD 6/2/99	ENG./DATE G. HOUGHTON 6/28/99
DRAWING NUMBER ADT-2797-SF-BMM-02-01		REV. A	
CHECKED/DATE	APPROVED/DATE	SCALE: 5=1	SHEET 1 of 1

REV.	DESCRIPTION	DATE
-	RELEASED	6/28/99
A	ECN 19666	3/3/04