



Chipsmall Limited consists of a professional team with an average of over 10 year of expertise in the distribution of electronic components. Based in Hongkong, we have already established firm and mutual-benefit business relationships with customers from,Europe,America and south Asia,supplying obsolete and hard-to-find components to meet their specific needs.

With the principle of “Quality Parts,Customers Priority,Honest Operation,and Considerate Service”,our business mainly focus on the distribution of electronic components. Line cards we deal with include Microchip,ALPS,ROHM,Xilinx,Pulse,ON,Everlight and Freescale. Main products comprise IC,Modules,Potentiometer,IC Socket,Relay,Connector.Our parts cover such applications as commercial,industrial, and automotives areas.

We are looking forward to setting up business relationship with you and hope to provide you with the best service and solution. Let us make a better world for our industry!



Contact us

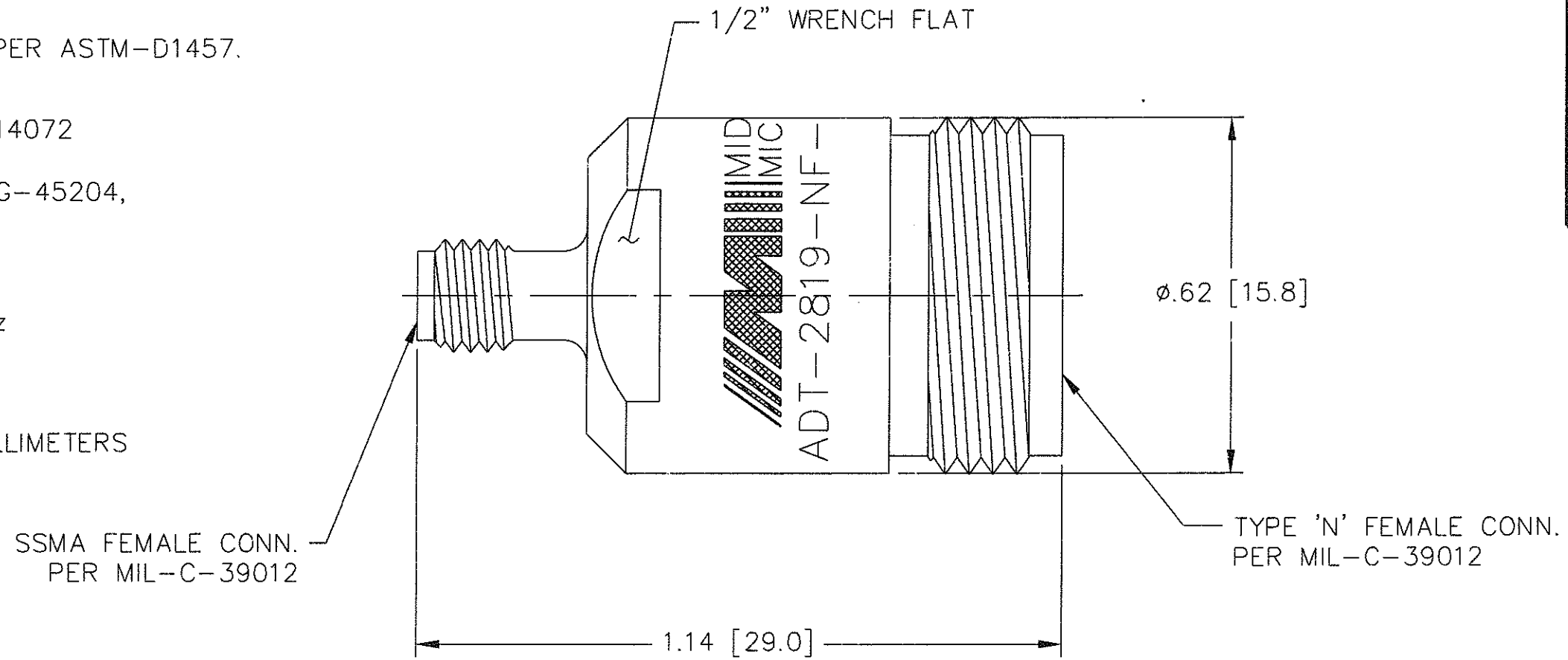
Tel: +86-755-8981 8866 Fax: +86-755-8427 6832

Email & Skype: info@chipsmall.com Web: www.chipsmall.com

Address: A1208, Overseas Decoration Building, #122 Zhenhua RD., Futian, Shenzhen, China



- NOTES:
- 1.0 MATERIALS:
 - 1.1 HOUSING: STAINLESS STEEL PER ASTM-A582, TYPE 303.
 - 1.2 CENTER CONTACT: BERYLLIUM COPPER ROD ALLOY C172, PER ASTM-B196.
 - 1.3 DIELECTRIC: PTFE FLUOROCARBON PER ASTM-D1457.
 - 2.0 PLATING:
 - 2.1 HOUSING: PASSIVATED PER MIL-F-14072 AND QQ-P-35
 - 2.2 CENTER CONTACT: GOLD PER MIL-G-45204, TYPE II, CLASS 2.
 - 3.0 ELECTRICAL SPECIFICATIONS:
 - 3.1 FREQUENCY RANGE: DC to 18.0 GHz
 - 3.2 VSWR: 1.20:1 MAX.
 - 3.3 IMPEDANCE: 50 OHMS
 - 4.0 DIMENSIONS IN BRACKETS ARE IN MILLIMETERS
 - 5.0 MARKING: MARK UNIT AS SHOWN (REF.: INK-04390-27-16)



REV.	DESCRIPTION	DATE
-	RELEASED	4/11/01

UNLESS OTHERWISE NOTED DIMENSIONS ARE IN INCHES AND TOLERANCES ARE:		FSCM NO.	34078 <i>MIDWEST MICROWAVE</i>	
3 PLACE DECIMALS ±.005		NOTICE: The information contained in this drawing is proprietary and must not be used without the permission of Midwest Microwave		TITLE
2 PLACE DECIMALS ±.02				ADAPTER SSMA FEMALE TO TYPE 'N' JACK
FRACTIONS ±1/64		DRAWN/DATE		DRAWING NUMBER
PARALLELITY: T.I.R. _____		M. STAFFORD 4/11/01		ADT-2819-NF-SSF-02
FLATNESS: T.I.R. _____		ENG./DATE		SCALE: 4=1
CONCENTRICITY: T.I.R. _____		APPROVED/DATE		SHEET 1 of 1
ANGLES AND PERPENDICULARITY: ±1°		CHECKED/DATE		