



Chipsmall Limited consists of a professional team with an average of over 10 year of expertise in the distribution of electronic components. Based in Hongkong, we have already established firm and mutual-benefit business relationships with customers from,Europe,America and south Asia,supplying obsolete and hard-to-find components to meet their specific needs.

With the principle of “Quality Parts,Customers Priority,Honest Operation,and Considerate Service”,our business mainly focus on the distribution of electronic components. Line cards we deal with include Microchip,ALPS,ROHM,Xilinx,Pulse,ON,Everlight and Freescale. Main products comprise IC,Modules,Potentiometer,IC Socket,Relay,Connector.Our parts cover such applications as commercial,industrial, and automotives areas.

We are looking forward to setting up business relationship with you and hope to provide you with the best service and solution. Let us make a better world for our industry!



Contact us

Tel: +86-755-8981 8866 Fax: +86-755-8427 6832

Email & Skype: info@chipsmall.com Web: www.chipsmall.com

Address: A1208, Overseas Decoration Building, #122 Zhenhua RD., Futian, Shenzhen, China



NOTES:

1.0 MATERIALS:

- 1.1 HOUSING & LOCKNUT: STAINLESS STEEL PER ASTM-A582, TYPE 303.
- 1.2 CENTER CONTACT: BERYLLIUM COPPER ROD ALLOY C172, PER ASTM-B196.
- 1.3 DIELECTRIC: PTFE FLUOROCARBON PER ASTM-D1457.
- 1.4 LOCKWASHER: STAINLESS STEEL 400 SERIES.

2.0 PLATING:

- 2.1 HOUSING, LOCKNUT & LOCKWASHER: PASSIVATED PER MIL-F-14072 AND QQ-P-35
- 2.2 CENTER CONTACT: GOLD PER MIL-PRF-39012 TYPE II, CLASS 2.

3.0 MECHANICAL:

- 3.1 INTERFACES PER MIL-STD-348 IN ACCORDANCE MIL-A-55339
- 3.2 CENTER CONTACT CAPTURED IN ACCORDANCE MIL-A-55339

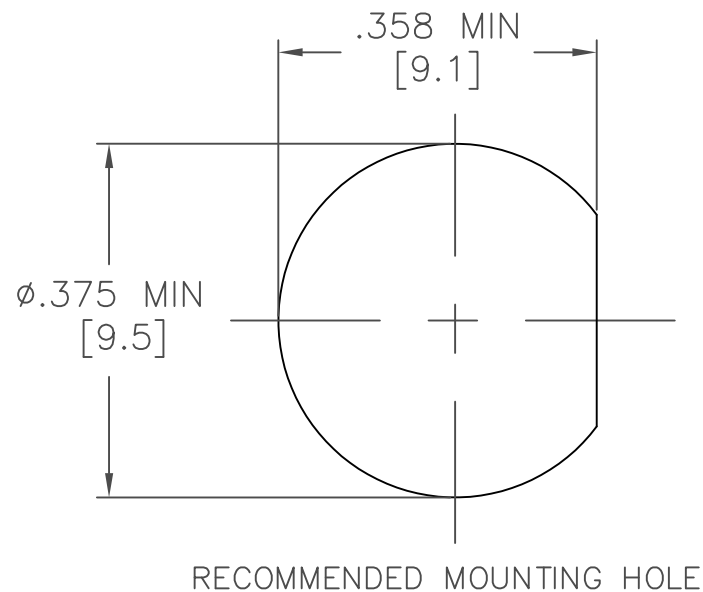
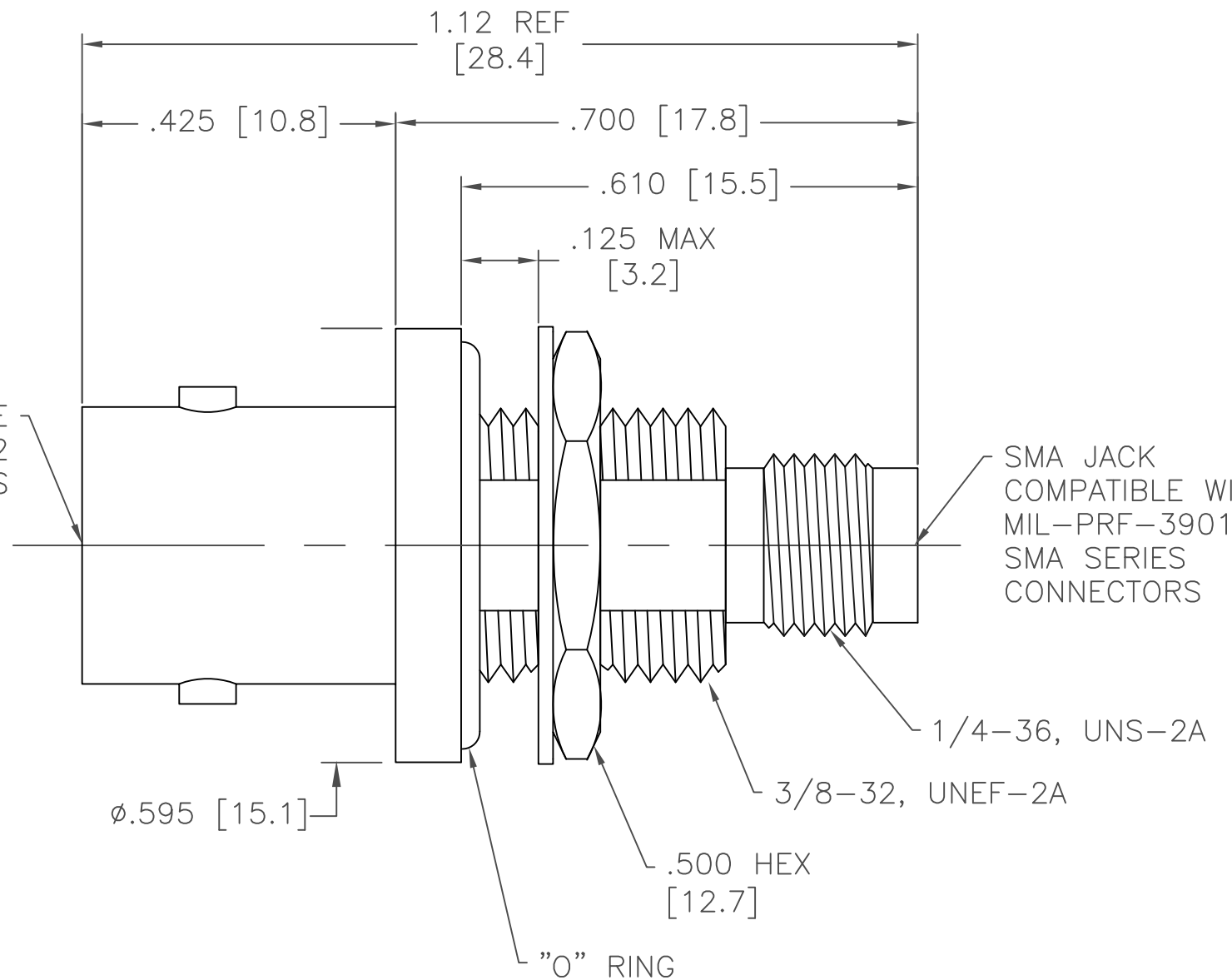
4.0 ELECTRICAL:

- 4.1 VSWR 1.15:1 MAXIMUM FROM DC-4.0 GHz. FREQUENCY RANGE

5.0 DIMENSIONS IN BRACKETS ARE MILLIMETERS.

BNC JACK COMPATIBLE WITH MIL-PRF-39012 BNC SERIES CONNECTORS

SMA JACK COMPATIBLE WITH MIL-PRF-39012 SMA SERIES CONNECTORS



NOTICE: The information contained in this drawing is proprietary and must not be used without the permission of Emerson Network Power.

UNLESS OTHERWISE NOTED DIMENSIONS ARE IN INCHES AND TOLERANCES ARE:
 3 PLACE DECIMALS ±.005
 2 PLACE DECIMALS ±.02
 FRACTIONS ±1/64
 PARALLELITY: T.I.R. _____
 FLATNESS: T.I.R. _____
 CONCENTRICITY: T.I.R. _____
 ANGLES AND PERPENDICULARITY: ±1'

CAGE CODE
34078 *MIDWEST MICROWAVE*

EMERSON
Network Power
Connectivity Solutions

TITLE
BNC JACK TO SMA JACK
BLKHD FEEDTHRU ADAPTER
OUTLINE DRAWING

DRAWN/DATE
A.BEATTY
8/25/94
ENG./DATE
A.OSGA
9/2/94
CHECKED/DATE
M.HOLLMAN
8/26/94
APPROVED/DATE
C.RIGGE
11/18/98

DRAWING NUMBER
ADT-2838-BF-SMF-02-01
REV. B
SCALE: 5=1 SHEET 1 of 1

REV.	DESCRIPTION	DATE
I	RELEASED	9/2/94
A	ECN 16928	12/3/98
A1	ADDED TITLEBLOCK	3/17/05
B	ECO 24058	1/31/12