



Chipsmall Limited consists of a professional team with an average of over 10 year of expertise in the distribution of electronic components. Based in Hongkong, we have already established firm and mutual-benefit business relationships with customers from,Europe,America and south Asia,supplying obsolete and hard-to-find components to meet their specific needs.

With the principle of “Quality Parts,Customers Priority,Honest Operation,and Considerate Service”,our business mainly focus on the distribution of electronic components. Line cards we deal with include Microchip,ALPS,ROHM,Xilinx,Pulse,ON,Everlight and Freescale. Main products comprise IC,Modules,Potentiometer,IC Socket,Relay,Connector.Our parts cover such applications as commercial,industrial, and automotives areas.

We are looking forward to setting up business relationship with you and hope to provide you with the best service and solution. Let us make a better world for our industry!



## Contact us

Tel: +86-755-8981 8866 Fax: +86-755-8427 6832

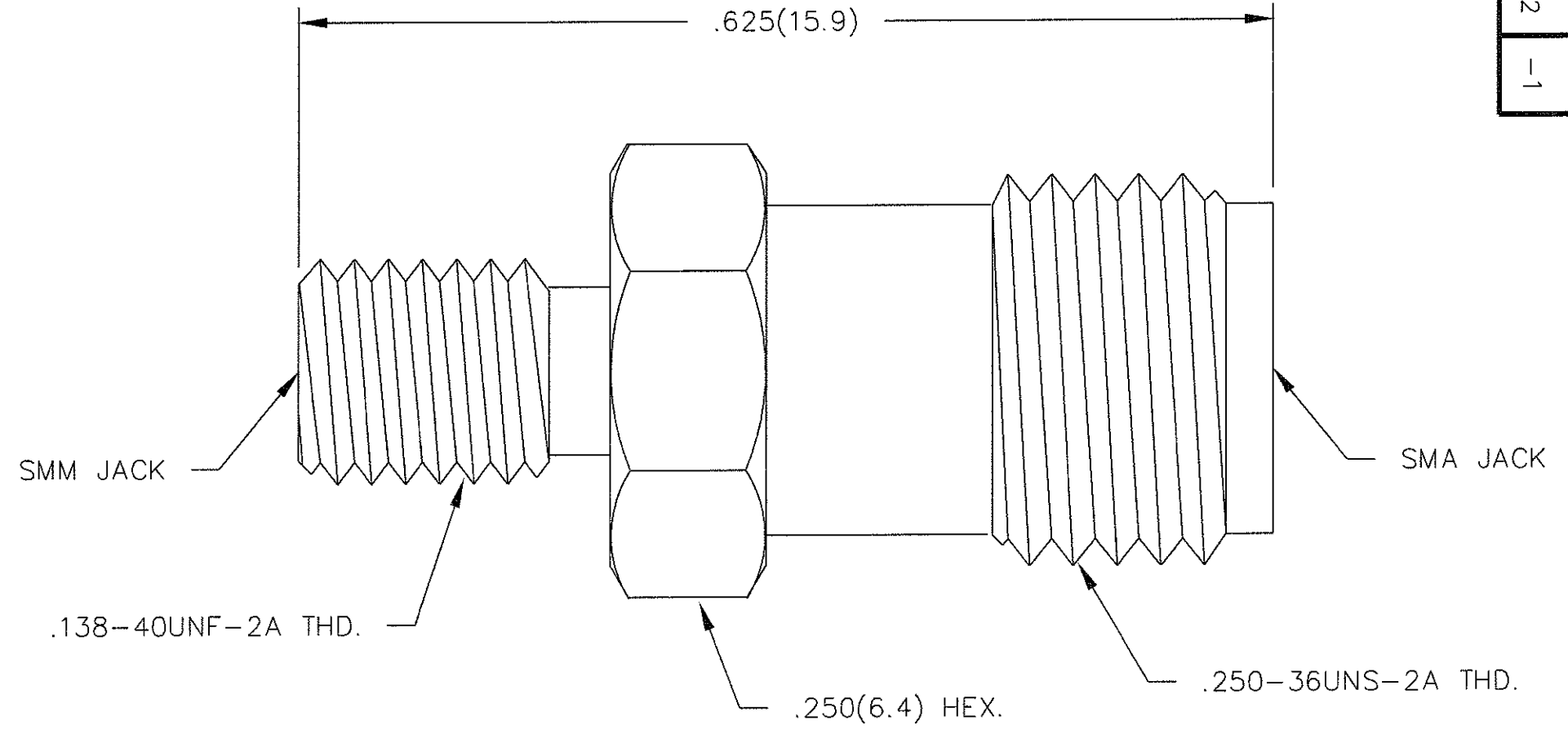
Email & Skype: info@chipsmall.com Web: www.chipsmall.com

Address: A1208, Overseas Decoration Building, #122 Zhenhua RD., Futian, Shenzhen, China



NOTES:

- 1.0 MATERIALS:
    - 1.1 HOUSING: STAINLESS STEEL PER ASTM-A582, TYPE 303.
    - 1.2 CENTER CONTACT: BERYLLIUM COPPER ROD ALLOY C172, PER ASTM-B196.
    - 1.3 DIELECTRIC: PTFE FLUOROCARBON PER ASTM-D1457.
  - 2.0 PLATING:
    - 2.1 HOUSING: PASSIVATED PER MIL-F-14072 AND QQ-P-35
    - 2.2 CENTER CONTACT: GOLD PER MIL-G-45204, TYPE II, CLASS 2
  - 3.0 MECHANICAL:
    - 3.1 INTERFACE PER MIL-STD-348 IN ACCORDANCE FIG. 310-2 (SMA JACK)
    - 3.2 CENTER CONTACT CAPTURED IN ACCORDANCE WITH MIL-A-55339.
  - 4.0 ELECTRICAL SPECIFICATIONS:
    - 4.1 FREQUENCY RANGE: DC to 18.0 GHz
    - 4.2 VSWR: 1.04+.007f(GHz)
    - 4.3 IMPEDANCE: 50 OHMS
  - 5.0 DIMENSIONS IN PARENTHESIS ARE IN MILLIMETERS.
- ALL OTHER MECHANICAL, ELECTRICAL, AND ENVIRONMENTAL CHARACTERISTICS ARE IN ACCORDANCE WITH MIL-C-55339.



DATE	1/24/95	3/17/05
DESCRIPTION	RELEASED	ADDED TITLEBLOCK
REV.	-	-1

UNLESS OTHERWISE NOTED DIMENSIONS ARE IN INCHES AND TOLERANCES ARE:  3 PLACE DECIMALS ±.005 2 PLACE DECIMALS ±.02 FRACTIONS ±1/64 PARALLELITY: T.I.R. _____ FLATNESS: T.I.R. _____ CONCENTRICITY: T.I.R. _____ ANGLES AND PERPENDICULARITY: ±1'	FSCM NO. <b>34078</b>	<b>MIDWEST MICROWAVE</b>		
	NOTICE: The information contained in this drawing is proprietary and must not be used without the permission of Midwest Microwave		TITLE ADAPTER SAM JACK to SMM JACK	
	DRAWN/DATE A.BEATTY 1/12/95	ENG./DATE A.OSGA 1/24/95	DRAWING NUMBER ADT-2845-SF-MMF-02	
	CHECKED/DATE M.HOLLMAN 1/23/95	APPROVED/DATE	SCALE: 10=1	SHEET 1 of 1