



Chipsmall Limited consists of a professional team with an average of over 10 year of expertise in the distribution of electronic components. Based in Hongkong, we have already established firm and mutual-benefit business relationships with customers from,Europe,America and south Asia,supplying obsolete and hard-to-find components to meet their specific needs.

With the principle of “Quality Parts,Customers Priority,Honest Operation,and Considerate Service”,our business mainly focus on the distribution of electronic components. Line cards we deal with include Microchip,ALPS,ROHM,Xilinx,Pulse,ON,Everlight and Freescale. Main products comprise IC,Modules,Potentiometer,IC Socket,Relay,Connector.Our parts cover such applications as commercial,industrial, and automotives areas.

We are looking forward to setting up business relationship with you and hope to provide you with the best service and solution. Let us make a better world for our industry!



Contact us

Tel: +86-755-8981 8866 Fax: +86-755-8427 6832

Email & Skype: info@chipsmall.com Web: www.chipsmall.com

Address: A1208, Overseas Decoration Building, #122 Zhenhua RD., Futian, Shenzhen, China



NOTES:

1.0 MATERIALS:

- 1.1 HOUSING & NUT: STAINLESS STEEL PER ASTM-A582, TYPE 303.
- 1.2 CENTER CONTACT: BERYLLIUM COPPER ROD ALLOY C172, PER ASTM-B196.
- 1.3 DIELECTRIC: PTFE FLUOROCARBON PER ASTM-D1457.

2.0 PLATING:

- 2.1 HOUSING & NUT: PASSIVATED PER MIL-F-14072 AND QQ-P-35
- 2.2 CENTER CONTACT: GOLD PER MIL-G-45204, TYPE II, CLASS 2.

3.0 MECHANICAL:

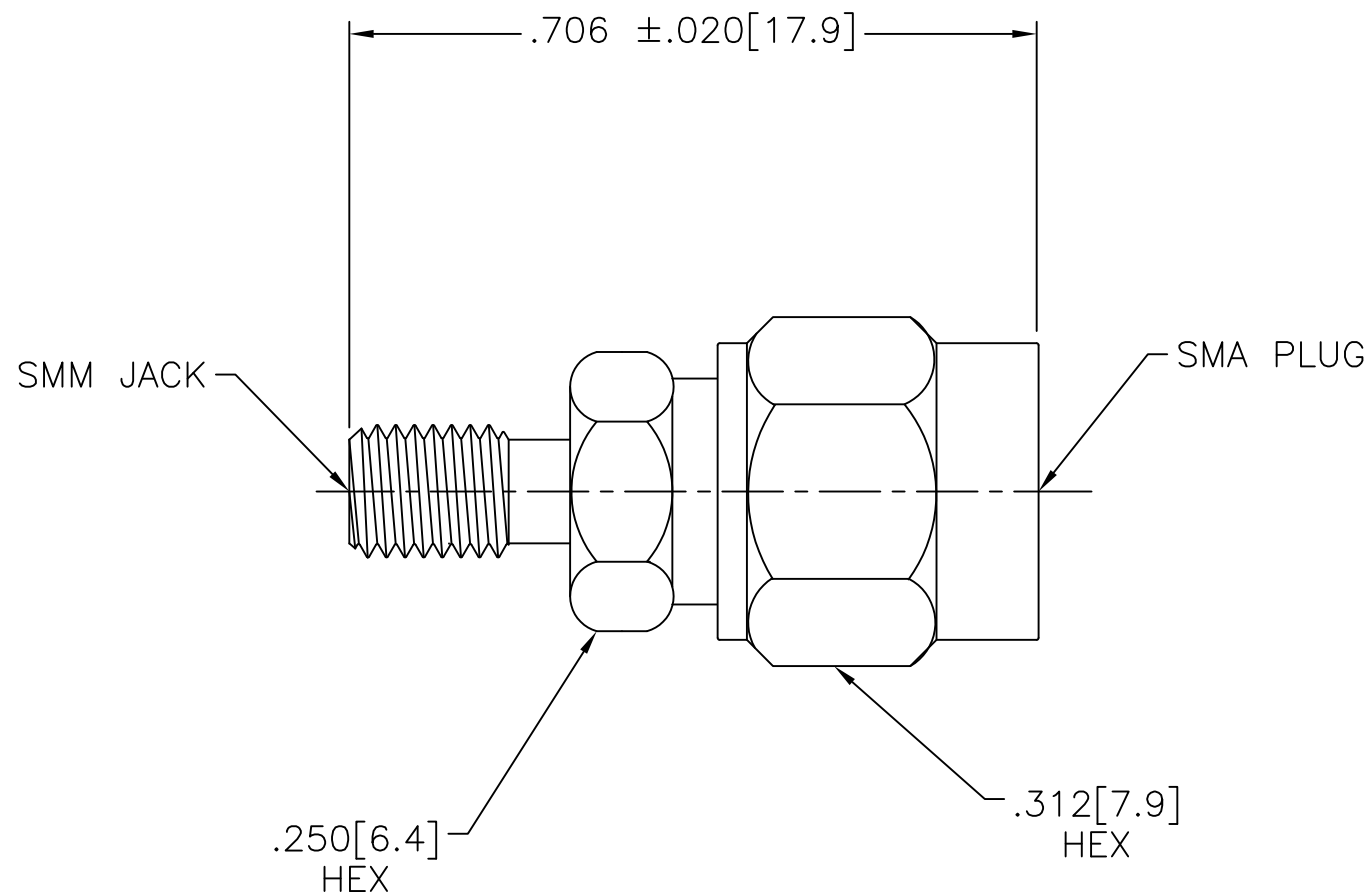
- 3.1 INTERFACE DIMENSIONS PER MIL-STD-348 FIGS 310-1 AND SMM JACK
- 3.2 CENTER CONTACT CAPTURED IN ACCORDANCE MIL-A-55339

4.0 DIMENSIONS IN BRACKETS ARE MILLIMETERS.

5.0 MAX V.S.W.R.:

- DC to 12.4 GHz: 1.06+.009f(GHz)
- 12.4 to 25.0 GHz: 1.05+.01f(GHz)

ALL OTHER MECHANICAL, ELECTRICAL, AND ENVIRONMENTAL CHARACTERISTICS ARE IN ACCORDANCE WITH MIL-A-55339



DATE	3/24/95
DESCRIPTION	RELEASED
REV.	-1
ADDED	TITLEBLOCK
	3/17/05

NOTICE: The information contained in this drawing is proprietary and must not be used without the permission of Emerson Network Power.

UNLESS OTHERWISE NOTED DIMENSIONS ARE IN INCHES AND TOLERANCES ARE:
 3 PLACE DECIMALS $\pm .005$
 2 PLACE DECIMALS $\pm .02$
 FRACTIONS $\pm 1/64$
 PARALLELITY: T.I.R. _____
 FLATNESS: T.I.R. _____
 CONCENTRICITY: T.I.R. _____
 ANGLES AND PERPENDICULARITY: $\pm 1'$

CAGE CODE 34078		MIDWEST MICROWAVE	
		TITLE ADAPTER SMM JACK TO SMA PLUG OUTLINE DRAWING	
		DRAWING NUMBER ADT-2846-SM-MMF-02-01	REV. -1
DRAWN/DATE A.BEATTY 3/21/95	ENG./DATE A.OSGA 3/24/95	SCALE: 5=1	SHEET 1 of 1
CHECKED/DATE P.GOODMAN 3/23/95	APPROVED/DATE		