



Chipsmall Limited consists of a professional team with an average of over 10 year of expertise in the distribution of electronic components. Based in Hongkong, we have already established firm and mutual-benefit business relationships with customers from,Europe,America and south Asia,supplying obsolete and hard-to-find components to meet their specific needs.

With the principle of “Quality Parts,Customers Priority,Honest Operation,and Considerate Service”,our business mainly focus on the distribution of electronic components. Line cards we deal with include Microchip,ALPS,ROHM,Xilinx,Pulse,ON,Everlight and Freescale. Main products comprise IC,Modules,Potentiometer,IC Socket,Relay,Connector.Our parts cover such applications as commercial,industrial, and automotives areas.

We are looking forward to setting up business relationship with you and hope to provide you with the best service and solution. Let us make a better world for our industry!



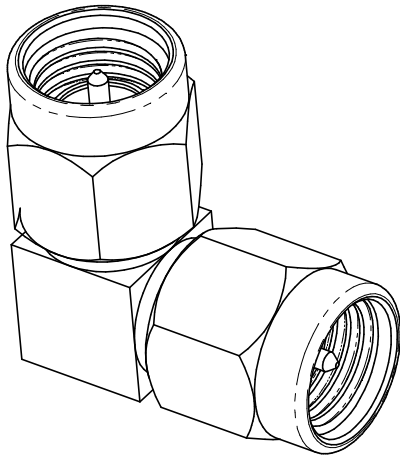
## Contact us

Tel: +86-755-8981 8866 Fax: +86-755-8427 6832

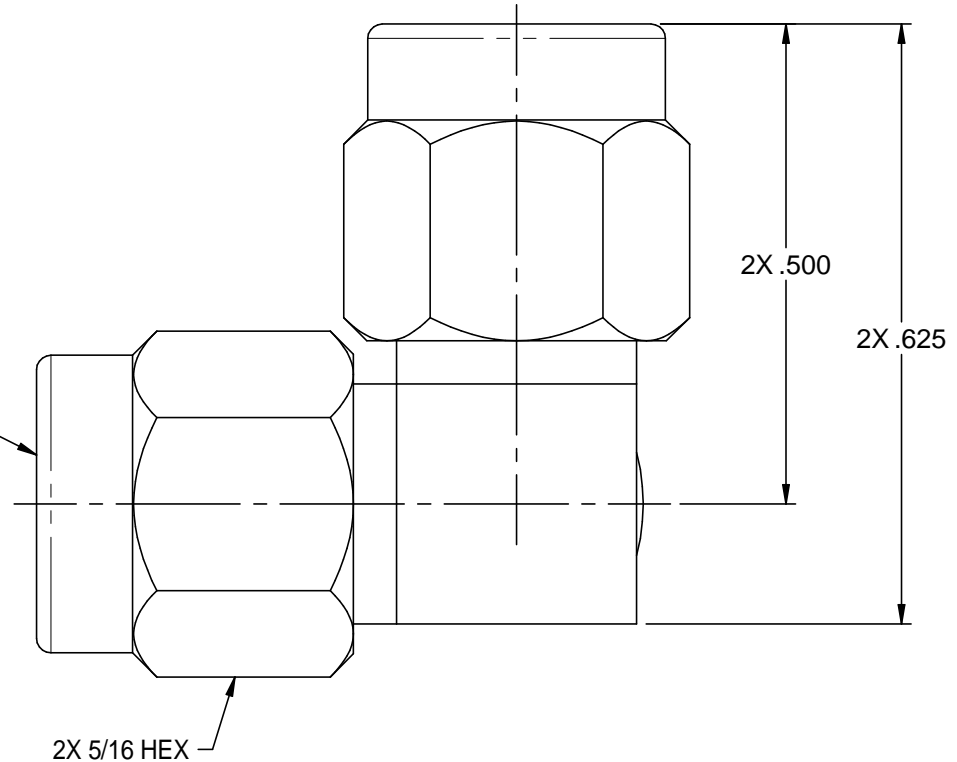
Email & Skype: info@chipsmall.com Web: www.chipsmall.com

Address: A1208, Overseas Decoration Building, #122 Zhenhua RD., Futian, Shenzhen, China





2X SMA PLUG  
PER MIL-STD-348  
FIGURE 310-1



NOTES: UNLESS OTHERWISE SPECIFIED.

1. MATERIAL & FINISH:

- 1.1 HOUSING & COUPLING NUTS: PASSIVATED STAINLESS STEEL
- 1.2 DIELECTRIC: PTFE (TEFLON)
- 1.3 CENTER CONTACT: GOLD PLATED BERYLLIUM COPPER
- 1.4 GASKET: SILICONE RUBBER

2. MECHANICAL:

- 2.1 CENTER CONTACT CAPTURE IN ACCORDANCE WITH MIL-A-55339.

3. ELECTRICAL:

- 3.1 FREQUENCY: DC - 18 GHz
- 3.2 VSWR: 1.05+.010f(GHz)

4. ALL OTHER MECHANICAL, ELECTRICAL AND ENVIRONMENTAL CHARACTERISTICS ARE IN ACCORDANCE WITH MIL-A-55339/2.

<p>EMERSON Network Power Connectivity Solutions</p> <p><small>This PROPRIETARY Document is property of Emerson Network Power Connectivity Solutions. It is confidential, non-transferable, and issued with the clear understanding that it is not tracked or copied without permission and is retrievable upon demand.</small></p> <p><small>INTERPRET DRAWING IN ACCORDANCE WITH ASME Y14.5-2009.</small></p>	<p>3RD ANGLE PROJECTION</p>	<h2>Midwest Microwave</h2>	
	<p>RoHS2 <input checked="" type="checkbox"/></p> <p>2011/65/EU</p>	<p>Title: SMA RT ANGLE PLUG TO PLUG ADAPTER</p>	
<p>UNLESS OTHERWISE SPECIFIED</p> <p>UNITS: INCH</p> <p>.XX ±.02</p> <p>.XXX ±.005</p> <p>ANGLES ±2°</p>	<p>Model No. ADT-8000-MM-SMA-02-01</p>		
<p>Size A</p>	<p>DO NOT SCALE DRAWING</p>	<p>Date: 3/28/2014</p>	<p>Sheet 1 of 1</p>