



Chipsmall Limited consists of a professional team with an average of over 10 year of expertise in the distribution of electronic components. Based in Hongkong, we have already established firm and mutual-benefit business relationships with customers from,Europe,America and south Asia,supplying obsolete and hard-to-find components to meet their specific needs.

With the principle of “Quality Parts,Customers Priority,Honest Operation,and Considerate Service”,our business mainly focus on the distribution of electronic components. Line cards we deal with include Microchip,ALPS,ROHM,Xilinx,Pulse,ON,Everlight and Freescale. Main products comprise IC,Modules,Potentiometer,IC Socket,Relay,Connector.Our parts cover such applications as commercial,industrial, and automotives areas.

We are looking forward to setting up business relationship with you and hope to provide you with the best service and solution. Let us make a better world for our industry!



Contact us

Tel: +86-755-8981 8866 Fax: +86-755-8427 6832

Email & Skype: info@chipsmall.com Web: www.chipsmall.com

Address: A1208, Overseas Decoration Building, #122 Zhenhua RD., Futian, Shenzhen, China



868MHz LORA/LPWA/ISM WHIP



AEACAQ190012-S868



190.0 x Ø12.9 mm
RoHS/RoHS II Compliant

MSL = N/A: NOT APPLICABLE

FEATURES

- Gain of 3.5dBi
- 10W input power
- Designed for 868 MHz
- $VSWR \leq 2.5$
- 190 x Ø12.9mm form factor

APPLICATIONS

- LPWA
- LoRA
- Sigfox
- ISM Applications
- Remote Technology/Monitoring
- Network devices
- Smart buildings
- Smart cities
- M2M
- Agriculture / Environment
- Consumer tracking

EXTERNAL ANTENNA

Parameters	Min.	Typ.	Max.	Units	Note
Frequency Range		868		MHz	
Bandwidth		CF ± 8MHz			
VSWR			2.5		
Polarization Model		Linear			
Impedance		50		Ω	
Gain		3.5		dBi	
Operating Temperature	-40		+85	°C	
Input Power			10	W	

RETURN - LOSS CHARACTERSTICS

S11 Return-Loss



868MHz LORA/LPWA/ISM WHIP



AEACAQ190012-S868



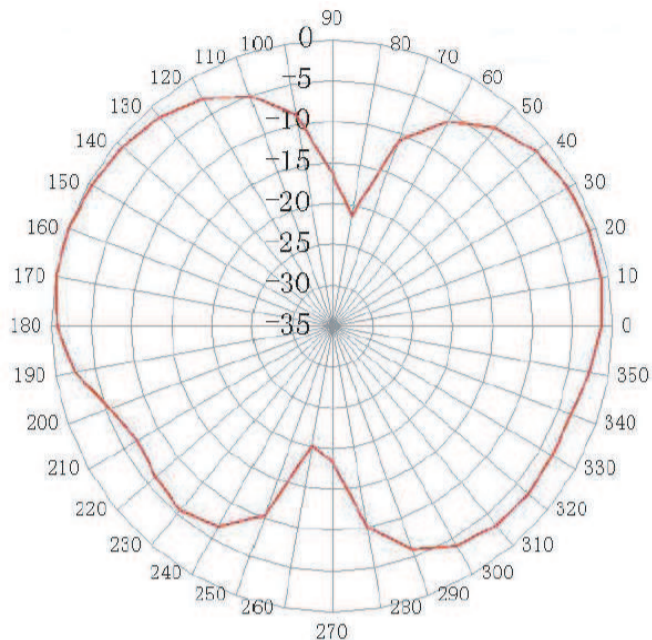
190.0 x Ø12.9 mm
RoHS/RoHS II Compliant

MSL = N/A: NOT APPLICABLE

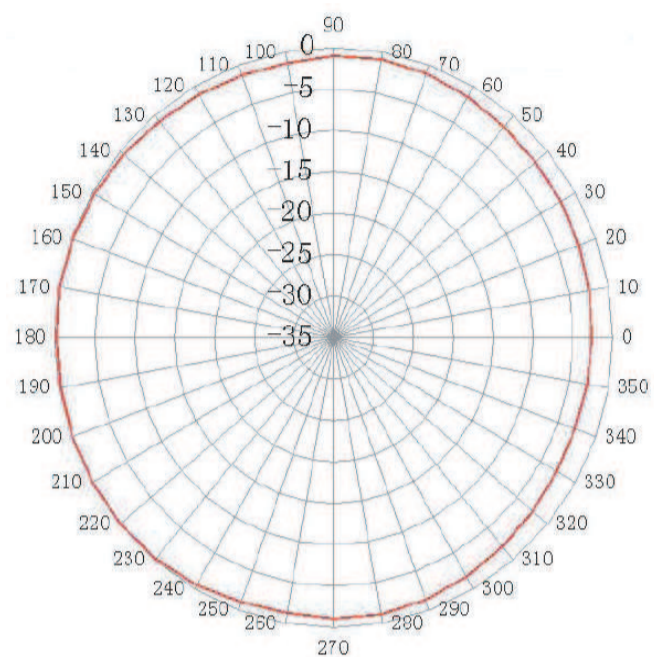
RADIATION PATTERNS

Antenna 2D Patterns

Vertical Plane

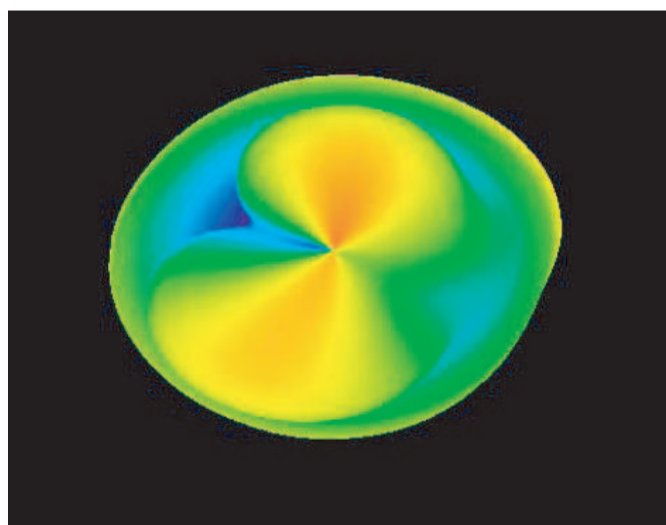


Horizontal Plane



Antenna 3D Pattern

868 MHz



Frequency (MHz)	868
Peak Gain (dBi)	3.50
Efficiency (%)	56

868MHz LORA/LPWA/ISM WHIP

AEACAQ190012-S868



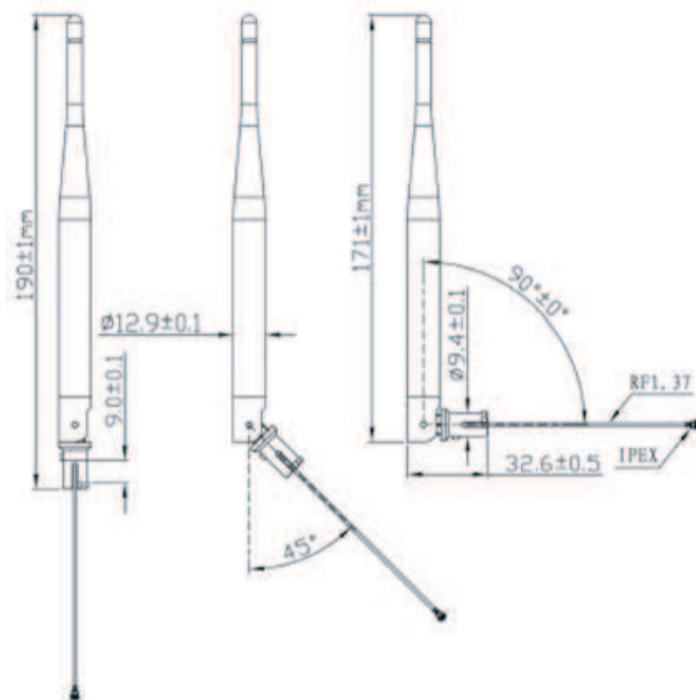
190.0 x Ø12.9 mm



RoHS/RoHS II Compliant

MSL = N/A: NOT APPLICABLE

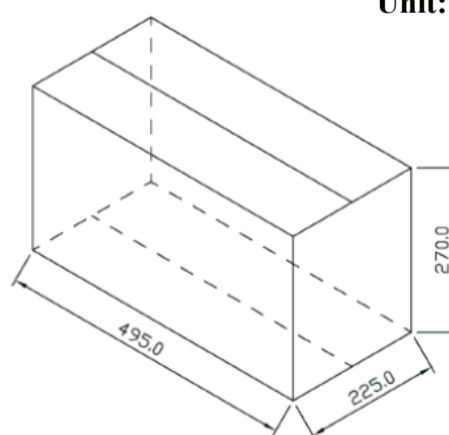
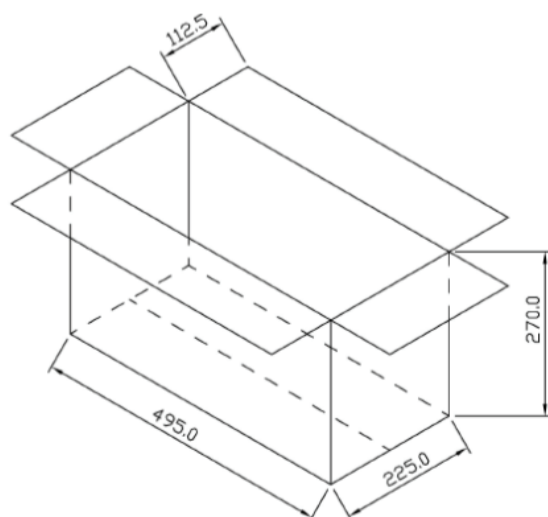
DIMENSIONS



Parameters	Description
Cable Length	10.0 cm
RF Cable	RG178/RF1.37 or others
RF Connector	IPEX or others
Mounting Type	Knuckle

PACKAGING:

Each 495 x 225 x 270 mm size carton includes 500 pcs antenna, 13kgs/carton.



Unit: mm