



Chipsmall Limited consists of a professional team with an average of over 10 year of expertise in the distribution of electronic components. Based in Hongkong, we have already established firm and mutual-benefit business relationships with customers from,Europe,America and south Asia,supplying obsolete and hard-to-find components to meet their specific needs.

With the principle of “Quality Parts,Customers Priority,Honest Operation,and Considerate Service”,our business mainly focus on the distribution of electronic components. Line cards we deal with include Microchip,ALPS,ROHM,Xilinx,Pulse,ON,Everlight and Freescale. Main products comprise IC,Modules,Potentiometer,IC Socket,Relay,Connector.Our parts cover such applications as commercial,industrial, and automotives areas.

We are looking forward to setting up business relationship with you and hope to provide you with the best service and solution. Let us make a better world for our industry!



## Contact us

Tel: +86-755-8981 8866 Fax: +86-755-8427 6832

Email & Skype: info@chipsmall.com Web: www.chipsmall.com

Address: A1208, Overseas Decoration Building, #122 Zhenhua RD., Futian, Shenzhen, China



# 915 MHz External Whip Antenna



AEACAQ190012-S915



190.0 x Ø12.9 mm  
RoHS/RoHS II Compliant

MSL = N/A: NOT APPLICABLE

## FEATURES

- Gain of 3.5dBi
- 10W input power
- VSWR  $\leq$  2.5
- 915 MHz bandwidth
- 190 x 12.9 mm form factor

## APPLICATIONS

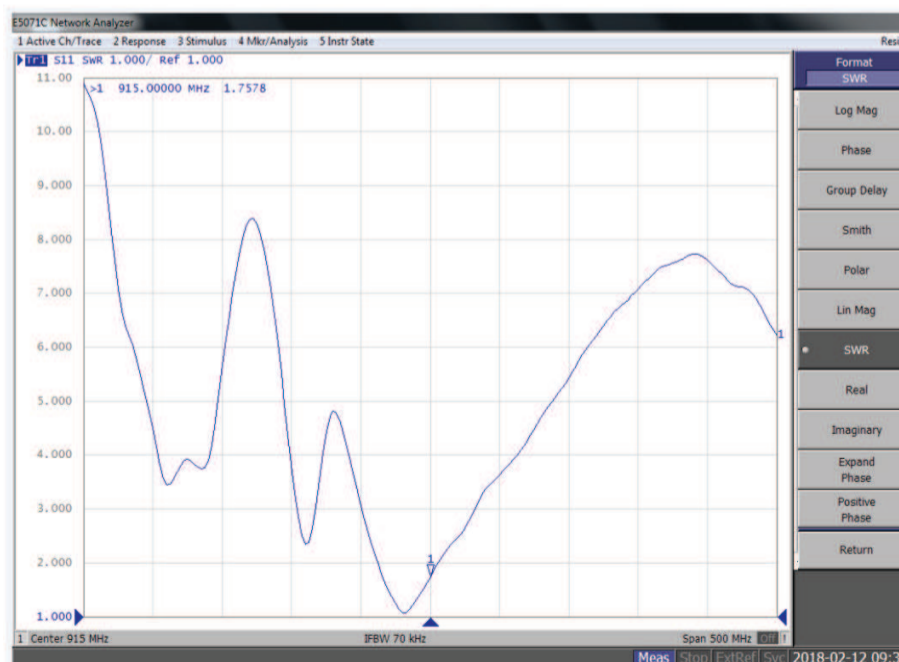
- LPWA
- LoRA
- Sigfox
- ISM Applications
- Remote monitoring
- Network devices
- Smart buildings
- Smart cities
- M2M
- Agriculture / Environment
- Consumer tracking

## ELECTRICAL SPECIFICATIONS

| Parameters            | Min.   | Typ.          | Max. | Units        | Note |
|-----------------------|--------|---------------|------|--------------|------|
| Frequency Range       |        | 915           |      | MHz          |      |
| Bandwidth             |        | CF $\pm$ 8MHz |      |              |      |
| VSWR                  |        |               | 2.5  |              |      |
| Polarization Model    | Linear |               |      |              |      |
| Impedance             |        | 50            |      | $\Omega$     |      |
| Gain                  |        | 3.5           |      | dBi          |      |
| Operating Temperature | -40    |               | +85  | $^{\circ}$ C |      |
| Input Power           |        |               | 10   | W            |      |

## RETURN - LOSS CHARACTERISTICS

### S11 Return-Loss





# 915 MHz External Whip Antenna



AEACAQ190012-S915



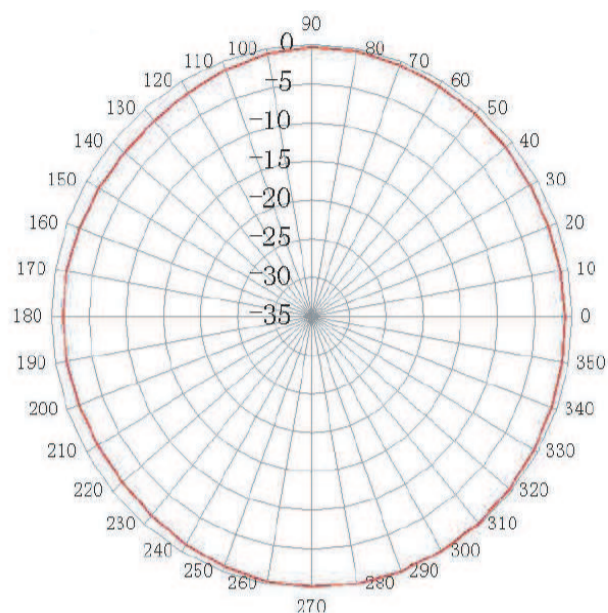
190.0 x Ø12.9 mm  
RoHS/RoHS II Compliant

MSL = N/A: NOT APPLICABLE

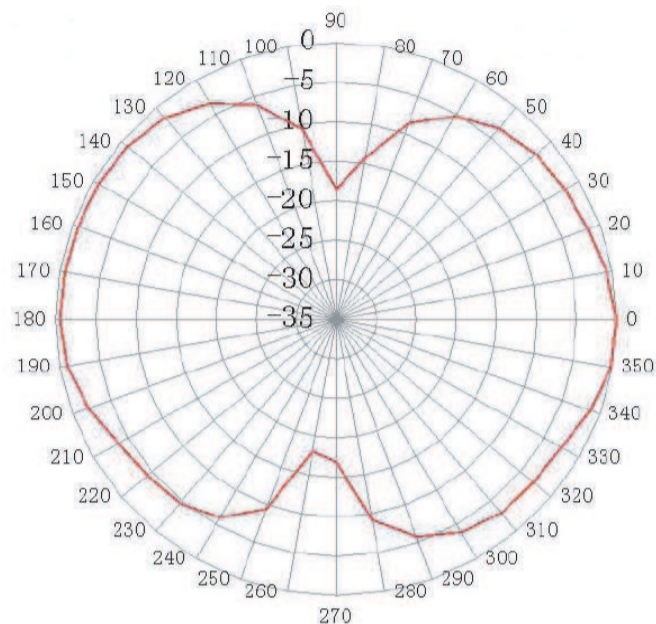
## RADIATION PATTERNS

### Antenna 2D Patterns

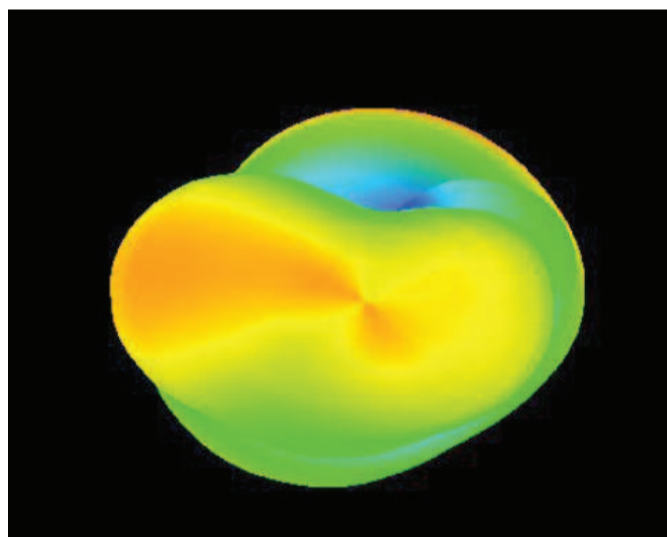
Horizontal Plane



Vertical Plane



### Antenna 3D Pattern 915 MHz



|                 |      |
|-----------------|------|
| Frequency (MHz) | 915  |
| Peak Gain (dBi) | 3.50 |
| Efficiency (%)  | 66   |

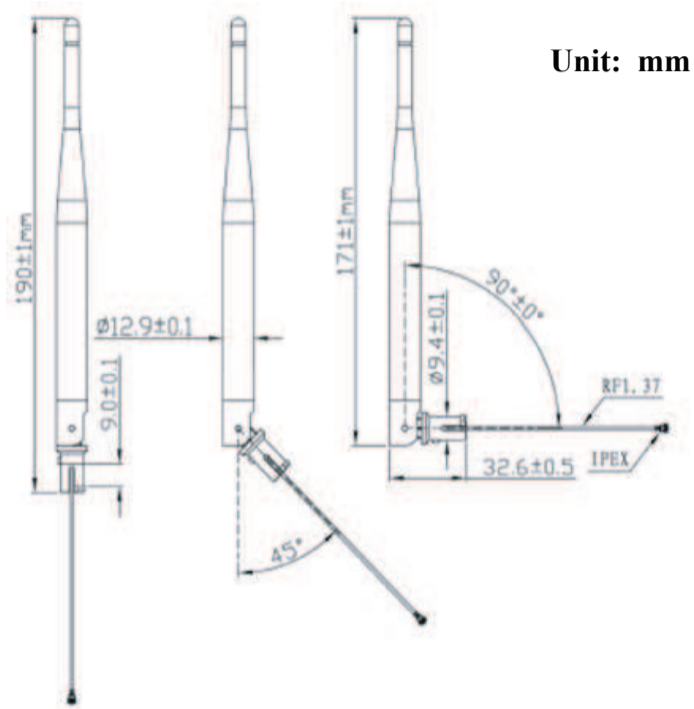
# 915 MHz External Whip Antenna



AEACAQ190012-S915

**Pb** | 190.0 x Ø12.9 mm  
**RoHS/RoHS II Compliant**  
 MSL = N/A: NOT APPLICABLE

## DIMENSIONS



| Parameters    | Description            |
|---------------|------------------------|
| Cable Length  | 10.0 cm                |
| RF Cable      | RG178/RF1.37 or others |
| RF Connector  | IPEX or others         |
| Mounting Type | Knuckle                |

## PACKAGING:

Each 495 x 225 x 270 mm size carton includes 500 pcs antenna, 13kgs/carton.

