



Chipsmall Limited consists of a professional team with an average of over 10 year of expertise in the distribution of electronic components. Based in Hongkong, we have already established firm and mutual-benefit business relationships with customers from,Europe,America and south Asia,supplying obsolete and hard-to-find components to meet their specific needs.

With the principle of "Quality Parts,Customers Priority,Honest Operation,and Considerate Service",our business mainly focus on the distribution of electronic components. Line cards we deal with include Microchip,ALPS,ROHM,Xilinx,Pulse,ON,Everlight and Freescale. Main products comprise IC,Modules,Potentiometer,IC Socket,Relay,Connector.Our parts cover such applications as commercial,industrial, and automotives areas.

We are looking forward to setting up business relationship with you and hope to provide you with the best service and solution. Let us make a better world for our industry!



Contact us

Tel: +86-755-8981 8866 Fax: +86-755-8427 6832

Email & Skype: info@chipsmall.com Web: www.chipsmall.com

Address: A1208, Overseas Decoration Building, #122 Zhenhua RD., Futian, Shenzhen, China



GSM I-Bar Adhesive Antenna



AEACCA115021-S850

115.6 x 21.7 x 5.8mm

Pb | RoHS/RoHS II Compliant
MSL = NOT APPLICABLE

FEATURES

- Adhesive mount
- Gain of 2dBi
- VSWR of 2.0
- Low profile 5.8mm
- Multiband 824-960MHz and 1710MHz-2170MHz
- Blade type GSM antenna covering GSM-850, GSM-900, DCS-1800, PCS-1900 bands
- Fakra connector

APPLICATIONS

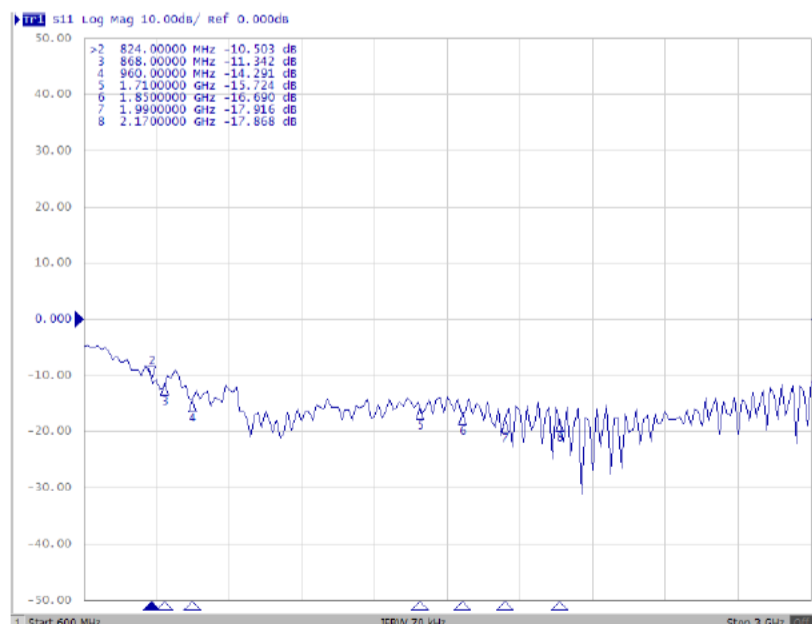
- IoT applications
- M2M
- GSM applications
- Telematics
- Remote Technology/monitoring
- POS terminals

ELECTRICAL SPECIFICATIONS

Parameters	Min.	Typ.	Max.	Units	Note
Frequency Range		824~960 / 1710~2170		MHz	
VSWR			2.0		
Polarization Model	Linear				
Impedance		50		Ω	
Gain		2		dBi	
Operating Temperature	-40		+85	$^{\circ}\text{C}$	
Input Power			10	W	

RETURN - LOSS CHARACTERISTICS

S11 Return-Loss



5101 Hidden Creek Ln Spicewood TX 78669
Phone: 512-371-6159 | Fax: 512-351-8858
For terms and conditions of sales, please visit:
www.abracon.com

REVISED: 03.19.2018

ABRACON IS
ISO9001-2008
CERTIFIED

GSM I-Bar Adhesive Antenna



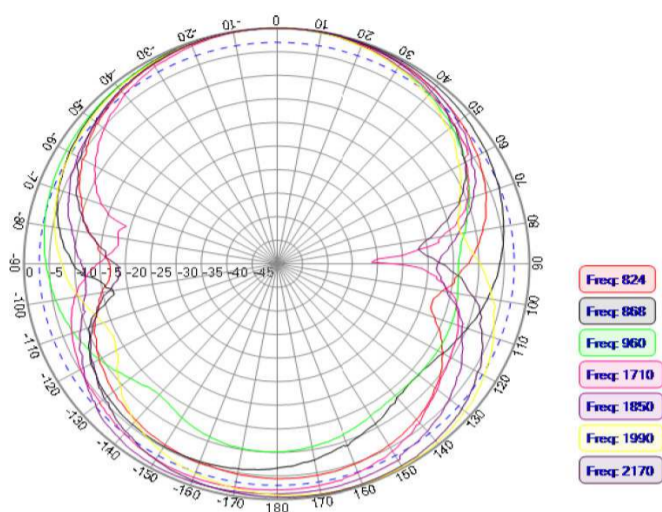
AEACCA115021-S850



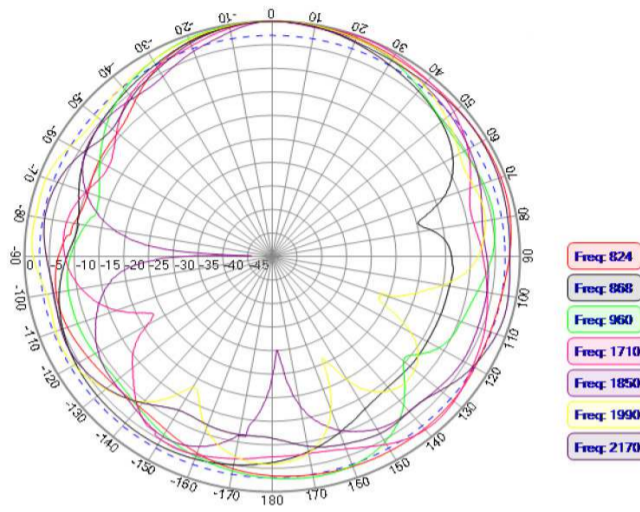
115.6 x 21.7 x 5.8mm
RoHS/RoHS II Compliant
 MSL = NOT APPLICABLE

RADIATION PATTERNS

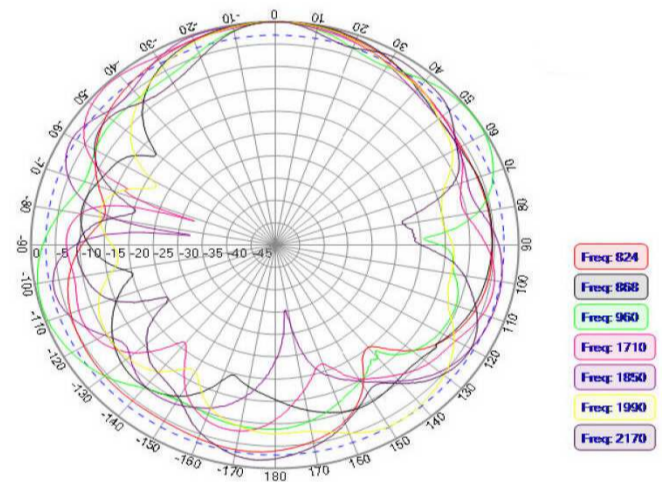
XY Plane



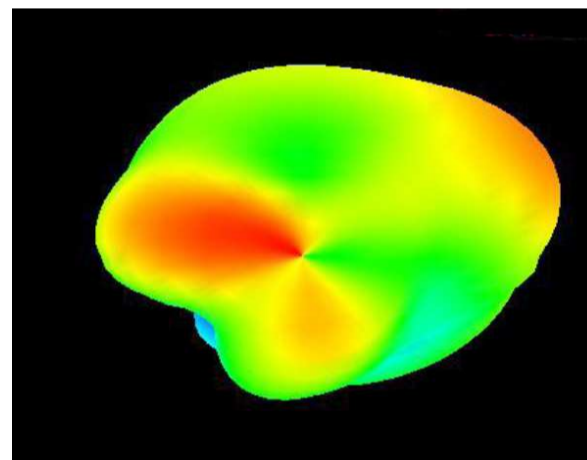
XZ Plane



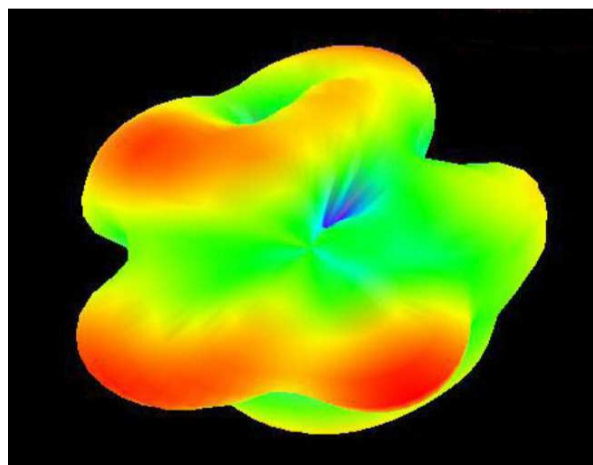
YZ Plane



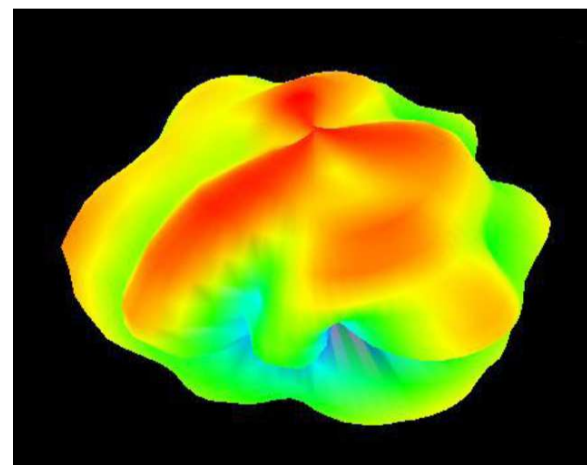
824 MHz



1710 MHz



2170 MHz



Frequency (MHz)	824	1710	2170
Peak Gain (dBi)	-1.01	-0.50	0.41
Efficiency (%)	60	57	57

GSM I-Bar Adhesive Antenna

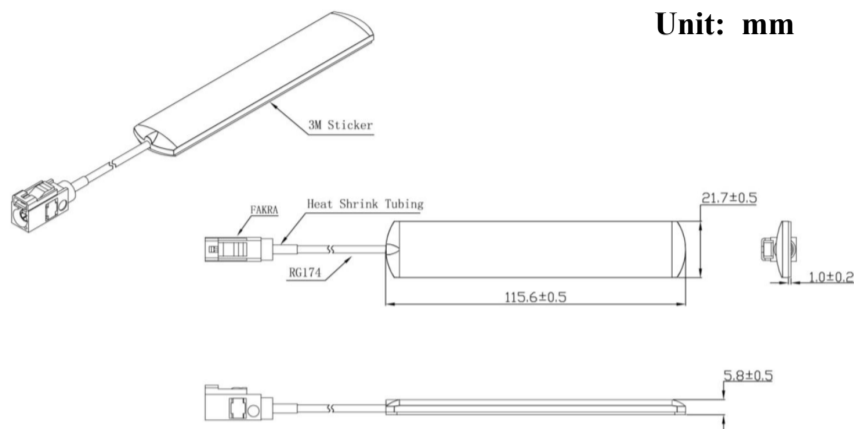


AEACCA115021-S850

115.6 x 21.7 x 5.8mm
Pb | **RoHS/RoHS II Compliant**
MSL = NOT APPLICABLE

DIMENSIONS:

Unit: mm

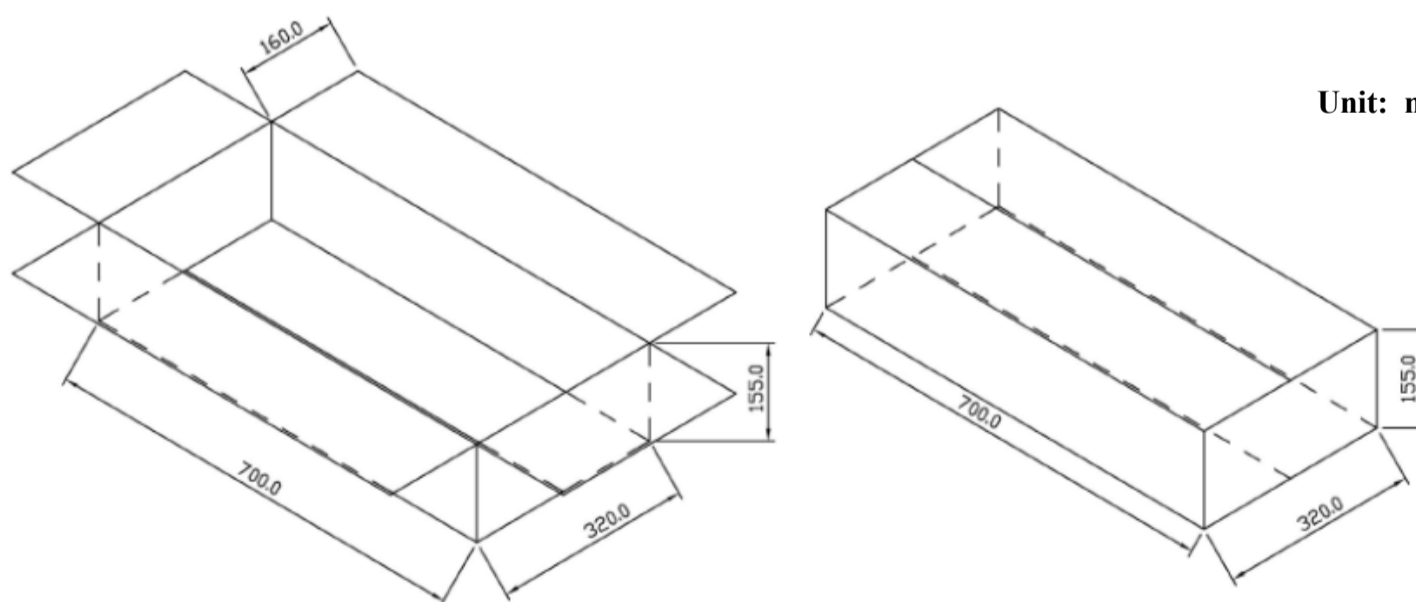


Parameters	Description
Cable Length	3.00 m
RF Cable	RG174
RF Connector	FAKRA/SMA or other
Radome Material	ABS
Mounting Type	Adhesive

PACKAGING:

Each 700 x 320 x 155 mm size carton includes 250 pcs antenna, 13kgs/carton.

Unit: mm



5101 Hidden Creek Ln Spicewood TX 78669
 Phone: 512-371-6159 | Fax: 512-351-8858
 For terms and conditions of sales, please visit:
www.abracon.com

REVISED: 03.19.2018

ABRACON IS
 ISO9001-2008
 CERTIFIED