



Chipsmall Limited consists of a professional team with an average of over 10 year of expertise in the distribution of electronic components. Based in Hongkong, we have already established firm and mutual-benefit business relationships with customers from,Europe,America and south Asia,supplying obsolete and hard-to-find components to meet their specific needs.

With the principle of “Quality Parts,Customers Priority,Honest Operation,and Considerate Service”,our business mainly focus on the distribution of electronic components. Line cards we deal with include Microchip,ALPS,ROHM,Xilinx,Pulse,ON,Everlight and Freescale. Main products comprise IC,Modules,Potentiometer,IC Socket,Relay,Connector.Our parts cover such applications as commercial,industrial, and automotives areas.

We are looking forward to setting up business relationship with you and hope to provide you with the best service and solution. Let us make a better world for our industry!



## Contact us

Tel: +86-755-8981 8866 Fax: +86-755-8427 6832

Email & Skype: info@chipsmall.com Web: www.chipsmall.com

Address: A1208, Overseas Decoration Building, #122 Zhenhua RD., Futian, Shenzhen, China



# GPS/Beidou/Glonass External Antenna



AEAGMK148060-S1575



ESD Sensitive



Ø148.0 x 60.0mm  
RoHS/RoHS II Compliant

MSL = NOT APPLICABLE

## FEATURES

- Gain of 4.5dBic
- Multiband
- RHCP polarization
- LNA gain of 38 dB
- Covers GPS (L1/L2/L5), BEIDOU (B1/B2/B3), GLONASS (L1/L2) bands

## APPLICATIONS

- GPS
- Beidou
- GLONASS
- IoT
- Remote technology/monitoring
- M2M

## ELECTRICAL SPECIFICATIONS

Parameters	Min.	Typ.	Max.	Units	Note
Frequency Range		1575.42/1227.6/1176.45 1575.42/1191.79/1268.52 1598.0625-1609.3125/ 1242.9375-1251.6875		MHz	GPS: L1/L2/L5 BEIDOU: B1/B2/ B3 GLONASS: L1/L2
VSWR		1.5:1			
Polarization		RHCP			Right Hand Circular Polarization
Impedance		50		Ω	
Gain		4.5		dBic	Zenith
		-4.0		dBic	20° Elevation
Axial Ratio			2.0		Zenith
			4.0		20° Elevation
Front to Rear Ratio	20			dB	
Operating Temperature	-40		+85	°C	

## LOW NOISE AMPLIFIER (LNA)

Parameters	Min.	Typ.	Max.	Units	Note
DC Voltage		3.3 ~ 9.0		V	
DC current			45	mA	40mA @ 5.0V
Gain		38±3		dB	
Output VSWR		2.0		dB	
Out Band Rejection	35			dB	FH+100MHz FL-100MHz
Noise Figure			1.5	dB	



5101 Hidden Creek Ln Spicewood TX 78669  
Phone: 512-371-6159 | Fax: 512-351-8858  
For terms and conditions of sales, please visit:  
[www.abracon.com](http://www.abracon.com)

REVISED: 03.19.2018

ABRACON IS  
ISO9001-2008  
CERTIFIED

# GPS/Beidou/Glonass External Antenna



AEAGMK148060-S1575



ESD Sensitive



Ø148.0 x 60.0mm  
RoHS/RoHS II Compliant

MSL = NOT APPLICABLE

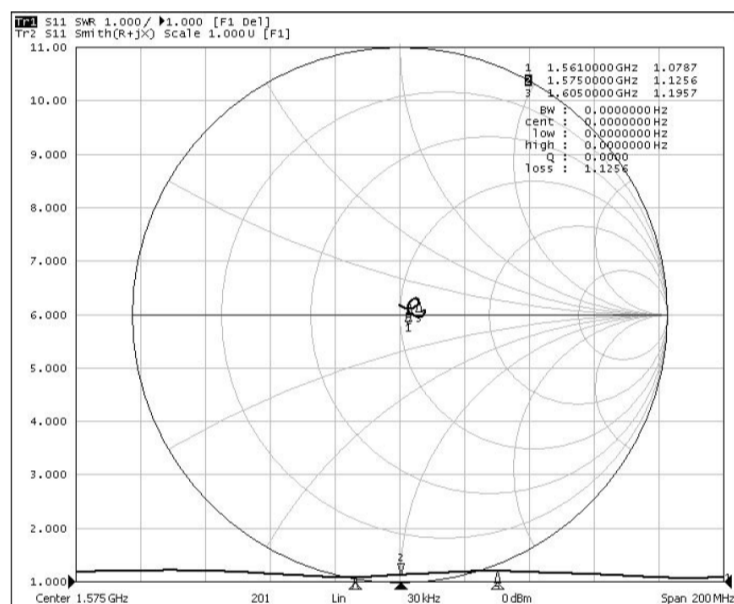
## OVERALL (Module + RF connector)

Parameters	Min.	Typ.	Max.	Units	Note
Output VSWR		2.0			
Gain		40		dB	
Impedance		50		Ω	

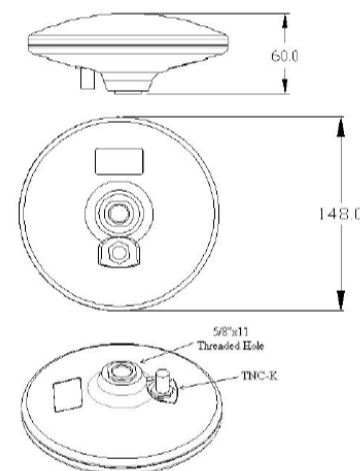
## RETURN - LOSS CHARACTERSTICS

## MECHANICAL DIMENSIONS

S11 Return Loss



Parameters	Description
RF Connector	TNC-K (SMA)
Radome Material	ABS
Mounting Type	Screw
Shielding	Tinplate
Threaded Hole	Copper
PCB	FR4



Unit: mm

## PACKAGING:

Each 630 x 460 x 105 mm size carton includes 6 pcs antenna, each case 1 pcs antenna.



5101 Hidden Creek Ln Spicewood TX 78669  
Phone: 512-371-6159 | Fax: 512-351-8858  
For terms and conditions of sales, please visit:  
[www.abracon.com](http://www.abracon.com)

REVISED: 03.19.2018

ABRACON IS  
ISO9001-2008  
CERTIFIED