



Chipsmall Limited consists of a professional team with an average of over 10 year of expertise in the distribution of electronic components. Based in Hongkong, we have already established firm and mutual-benefit business relationships with customers from,Europe,America and south Asia,supplying obsolete and hard-to-find components to meet their specific needs.

With the principle of "Quality Parts,Customers Priority,Honest Operation,and Considerate Service",our business mainly focus on the distribution of electronic components. Line cards we deal with include Microchip,ALPS,ROHM,Xilinx,Pulse,ON,Everlight and Freescale. Main products comprise IC,Modules,Potentiometer,IC Socket,Relay,Connector.Our parts cover such applications as commercial,industrial, and automotives areas.

We are looking forward to setting up business relationship with you and hope to provide you with the best service and solution. Let us make a better world for our industry!



## Contact us

Tel: +86-755-8981 8866 Fax: +86-755-8427 6832

Email & Skype: info@chipsmall.com Web: www.chipsmall.com

Address: A1208, Overseas Decoration Building, #122 Zhenhua RD., Futian, Shenzhen, China



# 3-Terminal EMI Filter

**AEMIF-0805**



RoHS/RoHS II Compliant



2.0 x 1.2 x 0.96mm

## FEATURES:

- Multilayer and low profile structure enables high density mounting
- Closed magnetic circuit minimizes crosstalk
- Sharp attenuation characteristic beyond cutoff frequency achieves excellent EMI suppression
- Wide range of cutoff frequencies from 100MHz to 500MHz available

## APPLICATIONS:

- Noise removal from signal lines in digital cameras, computers, game consoles, LED TVs, etc.
- Suppression of noise generated by high speed digital circuits such as clock lines

## STANDARD SPECIFICATIONS:

**Operating Temperature**  
-40°C to +85°C

**Storage Temperature**  
-10°C to +40°C, 70% RH max. in tape and reel

Part Number	-3dB Cut-off Frequency	Cut-off Frequency Tolerance	Rated Voltage	Rated Current	Min. Insulation Resistance	Max. DC Resistance	Attenuation
Units	MHz	%	V	mA	MΩ	Ω	dB
AEMIF-0805-101M-16	100	M	16	200	200	1.5	20.0 dB min. at 250-2000 MHz
AEMIF-0805-151M-16	150	M	16	200	200	1.0	20.0 dB min. at 350-2000 MHz
AEMIF-0805-201M-16	200	M	16	250	200	1.0	20.0 dB min. at 450-2000 MHz
AEMIF-0805-301M-16	300	M	16	300	200	1.0	20.0 dB min. at 550-2000 MHz
AEMIF-0805-401M-16	400	M	16	300	200	0.8	20.0 dB min. at 800-2000 MHz
AEMIF-0805-501M-16	500	M	16	300	200	0.8	20.0 dB min. at 1000-2000 MHz

## Test Equipment

Items	Test Equipment
Cut off Frequency	HP8753E or equivalent
DC Resistance	HP4338 or equivalent
Insulation Resistance	TH2682 or equivalent
Attenuation	HP8753E or equivalent

## PART NUMBER IDENTIFICATION

AEMIF-0805- [ ] [ ] - [ ] - [ ]

**Cutoff Frequency**  
Please refer to the Table

**Tolerance Code**  
M: ± 20%

**Rated Voltage**  
Please refer to the Table

**Packaging**  
T: 4kpcs/reel

ABRACON IS  
ISO 9001:2008  
CERTIFIED



Visit [www.abracon.com](http://www.abracon.com) for Terms & Conditions of Sale  
30332 Esperanza, Rancho Santa Margarita, California 92688  
tel 949-546-8000 | fax 949-546-800 | [www.abracon.com](http://www.abracon.com)

Revised: 07.28.14

# 3-Terminal EMI Filter

AEMIF-0805

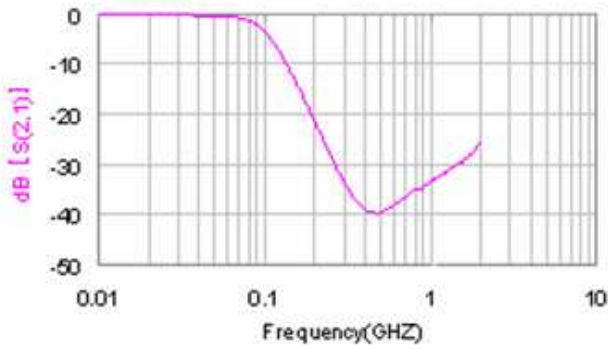
 RoHS/RoHS II Compliant



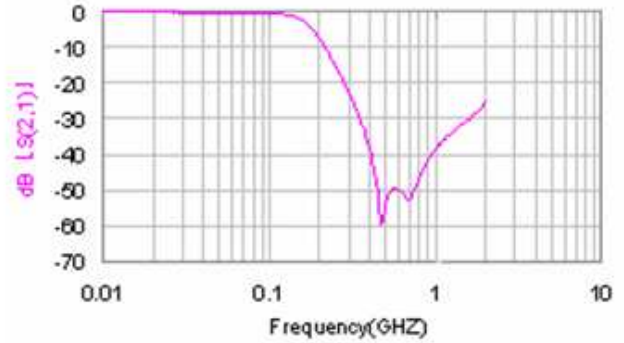
2.0 x 1.2 x 0.96mm

## FREQUENCY CHARACTERISTIC

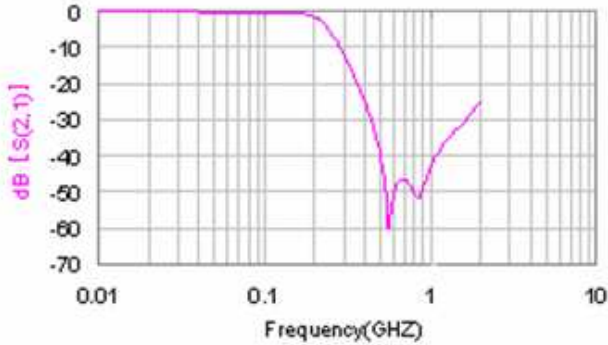
AEMIF-0805-101M-16



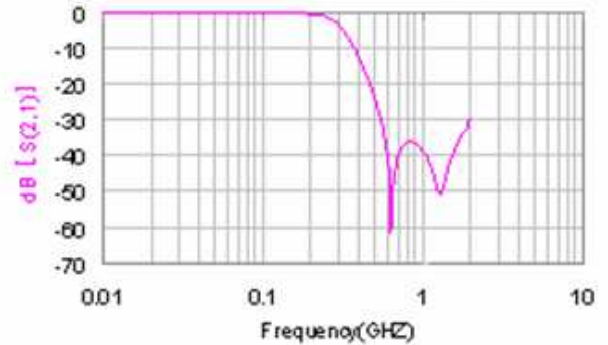
AEMIF-0805-151M-16



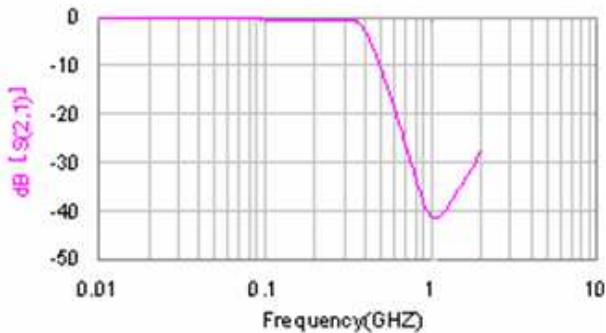
AEMIF-0805-201M-16



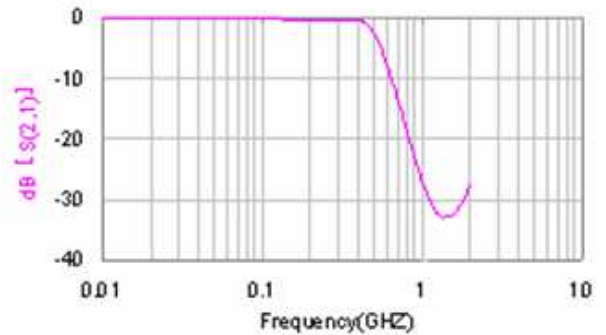
AEMIF-0805-301M-16



AEMIF-0805-401M-16



AEMIF-0805-501M-16



# 3-Terminal EMI Filter

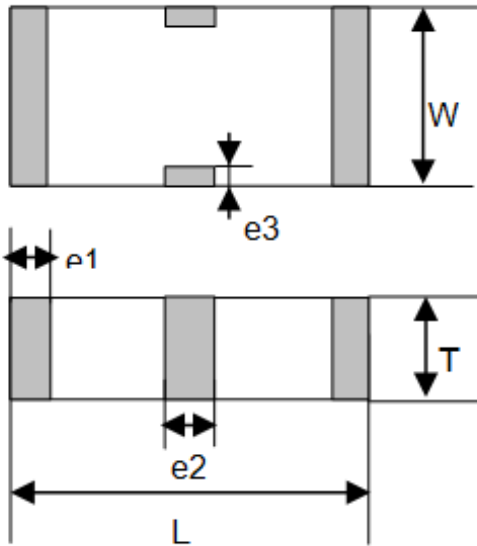
AEMIF-0805

 RoHS/RoHS II Compliant



2.0 x 1.2 x 0.96mm

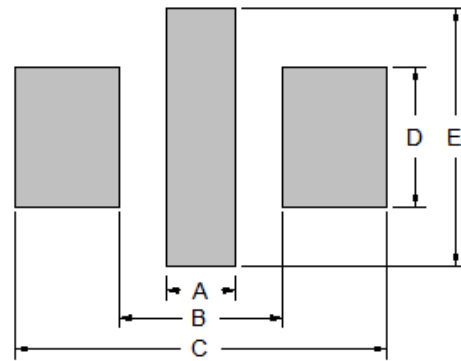
## OUTLINE DIMENSION:



L	W	T	e1	e2	e3
2.0±0.2	1.2±0.2	0.96±0.2	0.3±0.15	0.5±0.15	0.3±0.15

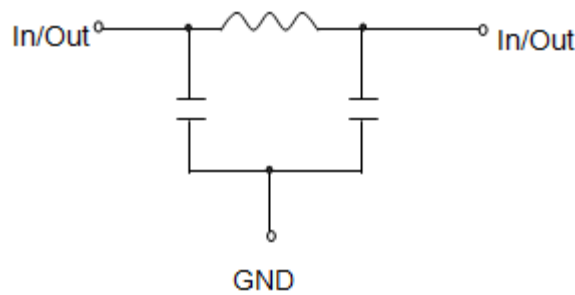
A	B	C	D	E
0.6	1.4	3.2	1.2	2.2

### Recommended Land Pattern



Dimension: mm

## EQUIVALENT CIRCUIT:



No polarity

# 3-Terminal EMI Filter

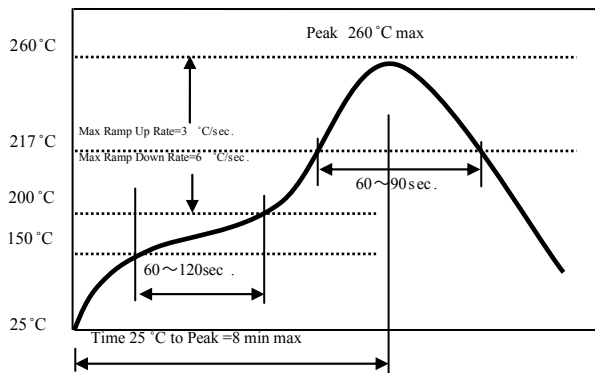
AEMIF-0805

 RoHS/RoHS II Compliant



2.0 x 1.2 x 0.96mm

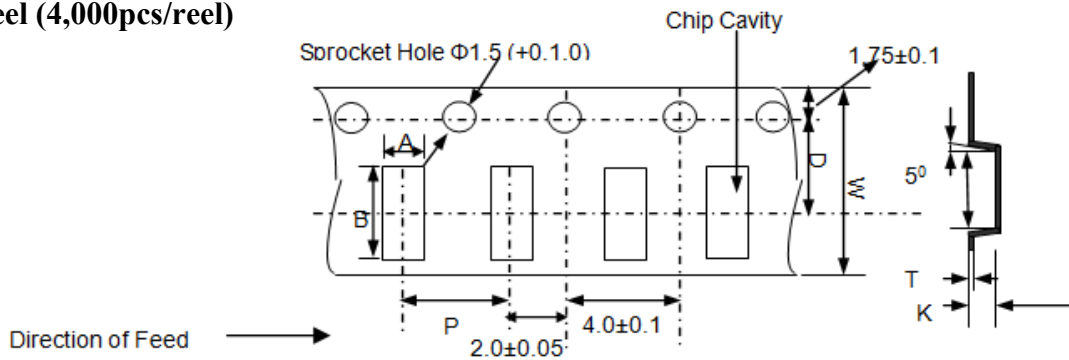
## REFLOW PROFILE:



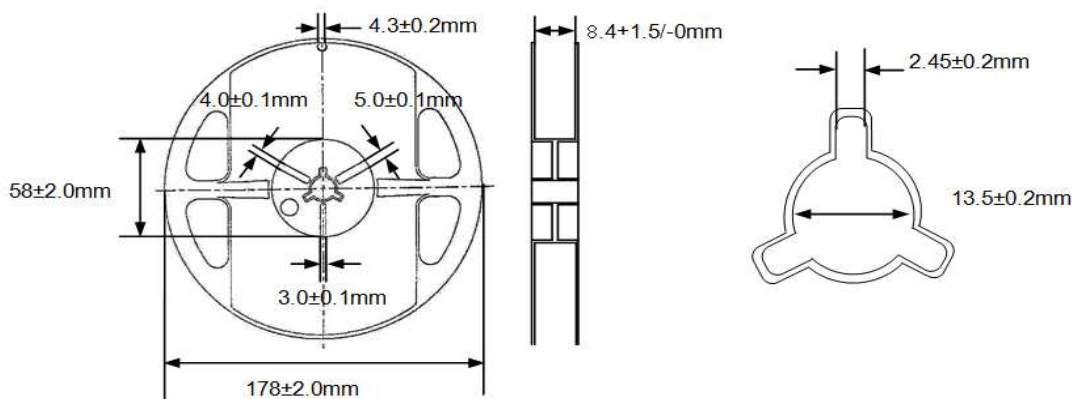
- Preheat condition: 150 ~200°C/60~120sec.
- Allowed time above 217 °C: 60~90sec.
- Max temp: 260 °C
- Max time at max temp: 10sec.
- Solder paste: Sn/3.0Ag/0.5Cu
- Allowed Reflow time: 2x max

## TAPE & REEL

T= tape and reel (4,000pcs/reel)



A	B	P	W	K max	T max
1.42	2.25	4.0	8.0	1.14	0.27



Dimension: mm

**ATTENTION:** Abracon Corporation's products are COTS – Commercial-Off-The-Shelf products; suitable for Commercial, Industrial and, where designated, Automotive Applications. Abracon's products are not specifically designed for Military, Aviation, Aerospace, Life-dependant Medical applications or any application requiring high reliability where component failure could result in loss of life and/or property. For applications requiring high reliability and/or presenting an extreme operating environment, written consent and authorization from Abracon Corporation is required. Please contact Abracon Corporation for more information.

ABRACON IS  
ISO 9001:2008  
CERTIFIED



Visit [www.abracon.com](http://www.abracon.com) for Terms & Conditions of Sale **Revised: 07.28.14**  
30332 Esperanza, Rancho Santa Margarita, California 92688  
tel 949-546-8000 | fax 949-546-800 | [www.abracon.com](http://www.abracon.com)