



Chipsmall Limited consists of a professional team with an average of over 10 year of expertise in the distribution of electronic components. Based in Hongkong, we have already established firm and mutual-benefit business relationships with customers from,Europe,America and south Asia,supplying obsolete and hard-to-find components to meet their specific needs.

With the principle of “Quality Parts,Customers Priority,Honest Operation,and Considerate Service”,our business mainly focus on the distribution of electronic components. Line cards we deal with include Microchip,ALPS,ROHM,Xilinx,Pulse,ON,Everlight and Freescale. Main products comprise IC,Modules,Potentiometer,IC Socket,Relay,Connector.Our parts cover such applications as commercial,industrial, and automotives areas.

We are looking forward to setting up business relationship with you and hope to provide you with the best service and solution. Let us make a better world for our industry!



## Contact us

Tel: +86-755-8981 8866 Fax: +86-755-8427 6832

Email & Skype: info@chipsmall.com Web: www.chipsmall.com

Address: A1208, Overseas Decoration Building, #122 Zhenhua RD., Futian, Shenzhen, China



# AFBR-3950xxRZ

High Voltage Galvanic Insulation Link  
for DC to 50MBaud



## Data Sheet



### Description

Avago Technologies' AFBR-3950xxRZ is a high voltage galvanic insulation link for DC to 50 MBaud. The AFBR-3950xxRZ consists of an optical transmitter and receiver operating at 650nm wavelength. Pin to pin distance of approximately 25 to 101 mm provides transient voltage suppression in the range of 15kV to 50kV.

### Applications

- Drives/Inverters
- Galvanic insulation on one single PCB
- Medium Voltage Power Distributions
- Regulated Distribution Transformers
- Smart Grid on-board Insulations

### Ordering Information

Part Number	Length	mm	Voltage Suppression
AFBR-395025RZ	1 inch	25	15kV
AFBR-395050RZ	2 inch	50.4	27kV
AFBR-395075RZ	3 inch	75.8	40kV
AFBR-395000RZ	4 inch	101.2	50kV

### Features

- Data transmission at signal rates of DC to 50MBaud
- DC coupled transmitter and receiver with CMOS/TTL input-output for easy designs: no data encoding or digitizing circuitry required
- High noise immunity through receiver IC with integrated photodiode
- RoHS compliant
- Transient voltage suppression in the range of 15kV up to 50kV according IEC 60644
- Laser class 1 according to IEC-60825
- Certified according to IEC-60747-5-5
- Housing Material UL-V0 with CTI  $\geq$  600
- Optional 3.3V or 5V power supply

## AFBR-3950xxRZ DC to 5MBaud Data Link

### Absolute Maximum Ratings

Parameter	Symbol	Min.	Max.	Units
Signaling Rate	$f_s$	DC	50	MBd
Storage and Operating Temperature	$T_{S,O}$	-40	+85	°C
Receiver Supply Voltage	$V_{CCRx}$	-0.5	+5.5	V
Receiver Supply Current	$I_{CCRx}$		30	mA
Receiver Output Current	$I_{OAV}$		10	mA
Transmitter Supply Voltage	$V_{CCTx}$	-0.5	+5.5	V
Transmitter Supply Current	$I_{CCTx}$		31	mA
Lead Soldering Cycle <sup>[1, 2]</sup>	Temp		+260	°C
	Time		10	sec

Notes:

1. 1.6mm below seating plane; wave soldering only
2. MSL class 3

---

### Attention

Stresses above those listed here may cause permanent damage to the device. Exposure to absolute maximum rating conditions for extended periods may affect device reliability.

---

### Recommended Operating Conditions

Parameter	Symbol	Min.	Max.	Units
Ambient Temperature	$T_A$	-40	85	°C
Receiver Power Supply Voltage <sup>[1]</sup>	$V_{CCRx}$	3.135	3.465	V
		4.75	5.25	
Transmitter Supply Voltage	$V_{CCTx}$	3.135	3.465	V
		4.75	5.25	
Signaling Rate	$f_s$	DC	50	MBd

Notes:

1. <100mV<sub>p-p</sub> Noise

**All the data in this specification refers to the operating conditions above and over lifetime unless otherwise stated.**

## Insulation Characteristics

Parameter	Symbol	Min.	Max.	Units
Apparent charge at Sample Test stage and Type Test stage after subgroup 1 (method a) [1]	q <sub>pd</sub>		5	pC
Apparent charge at Routine Test stage and Type Test stage, Preconditioning (method b) [2]	q <sub>pd</sub>		5	pC
Maximum Transient Voltage, peak [3]	V <sub>IOTM_1inch</sub> V <sub>IOTM_2inch</sub> V <sub>IOTM_3inch</sub> V <sub>IOTM_4inch</sub>	15 27 40 50		kV
Maximum Transient Voltage, effective [3]	V <sub>ISO_1inch</sub> V <sub>ISO_2inch</sub> V <sub>ISO_3inch</sub> V <sub>ISO_4inch</sub>	10.5 19 28.1 35.2		kV
Maximum Working Voltage, peak [4]	V <sub>IORM_1inch</sub> V <sub>IORM_2inch</sub> V <sub>IORM_3inch</sub> V <sub>IORM_4inch</sub>	4.25 8.5 12.75 17.00		kV
Maximum Working Voltage, effective [4]	V <sub>IOWM_1inch</sub> V <sub>IOWM_2inch</sub> V <sub>IOWM_3inch</sub> V <sub>IOWM_4inch</sub>	3 6 9 12		kV
Insulation Resistance @ T <sub>amb,max</sub> , min.100°C	R <sub>IO</sub>	10 <sup>11</sup>		Ω
Insulation Resistance @ T <sub>S</sub>	R <sub>IO</sub>	10 <sup>9</sup>		Ω
Creepage Distance	1inch 2inch 3inch 4inch	25 50.4 75.8 101.2		mm
Clearance Distance	1inch 2inch 3inch 4inch	25 50.4 75.8 101.2		mm
Surge Isolation Voltage	V <sub>IOSM</sub>	12		kV
Comparative Tracking Index	CTI	600		
Pollution degree [5]		2		
Climatic category [6]		40/085/21		
Maximum ambient Safety temperature	T <sub>S</sub>	110		°C
Maximum input current	I <sub>SI</sub>	60		mA
Maximum output current	I <sub>SO</sub>	30		mA
Maximum input power dissipation	P <sub>SI</sub>	330		mW
Maximum output power dissipation	P <sub>SO</sub>	165		mW

### Notes:

1.  $V_{pd(m)} = 1.6 \times V_{IORM}$  (=6.8kV for 1inch, =13.6kV for 2inch, =20.4kV for 3inch, =27.2kV for 4inch),  $V_{ini,a} = V_{IOTM}$ ,  $t_{ini,a} = 60s$ ;  $t_m = 10s$
2.  $V_{pd(m)} = 1.875 \times V_{IORM}$  (=8kV for 1inch, =16kV for 2inch, =24kV for 3inch, =32kV for 4inch),  $V_{ini,b} = V_{IOTM}$ ,  $t_{ini,b} = 1s$ ;  $t_m = 1s$
3. Altitude up to 2000m above sea level
4. Pollution degree 2; please note that inhomogeneous field conditions may lead to partial discharge through air for these voltages
5. According IEC-60064-1
6. According IEC-60068-1



## Electrical Input Characteristics

Parameter	Symbol	Min.	Typ.	Max.	Units
Input Voltage Low	$V_{IL}$			0.8	V
Input Voltage High <sup>[1]</sup>	$V_{IH}$	2		$V_{CCTx}$	V
Input Capacitance	$C_{IN}$			7	pF
Input Resistance	$R_{IN}$	10			k $\Omega$

Notes:

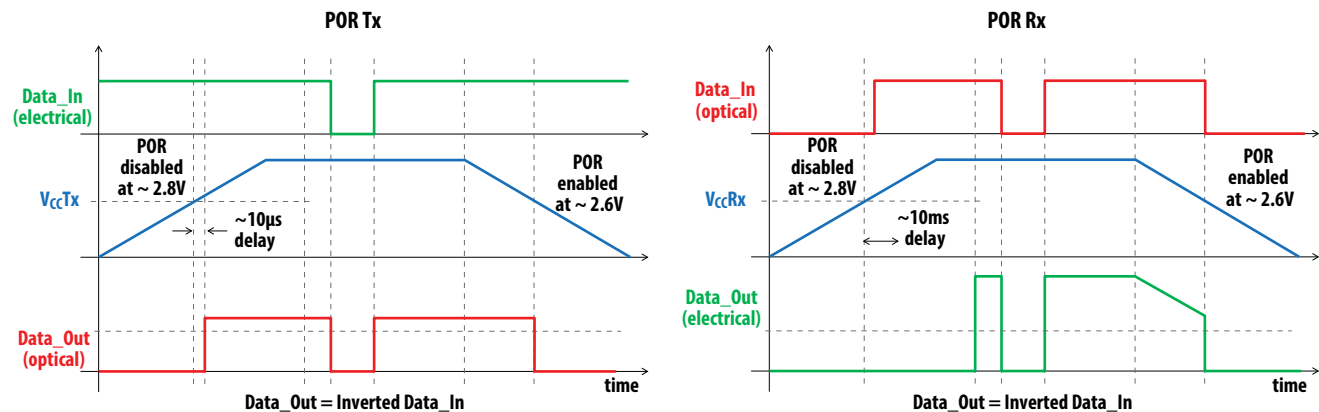
- Duty Cycle shall be 50% at 1.5V

## Electrical Output Signal Characteristics

Parameter	Symbol	Min.	Typ.	Max.	Units
High Level Output Voltage	$V_{OH}$	2.5	$V_{CCRx}$	$V_{CCRx} + 0.3$	V
Low Level Output Voltage	$V_{OL}$			0.4	V
Output Risetime (10-90%) <sup>[1]</sup>	$t_r$			5	ns
Output Falltime (90-10%) <sup>[1]</sup>	$t_f$			5	ns
Power Supply Noise Immunity	PSNI	0.1	0.4		Vpp
Vcc level to deactivate POR <sup>[2]</sup>	$V_{POR\_DEACT}$		2.8		V
Vcc level to activate POR <sup>[2]</sup>	$V_{POR\_ACT}$		2.6		V
POR deactivate delay time <sup>[2, 3]</sup>	$t_{POR\_DEACT\_DEL}$		10		ms

Notes:

- $C_L = 15p$ ,  $R_L = 50k\Omega$  F
- A Power-on reset (POR) is both implemented at the Transmitter and the Receiver. It is active below  $V_{POR\_DEACT}$ . Once  $V_{POR\_DEACT}$  is reached the POR remains active for  $t_{POR\_DEACT\_DEL}$ . During power down POR starts at  $V_{POR\_ACT}$ . During active POR the output signal is low.  $V_{POR\_DEACT}$  and  $V_{POR\_ACT}$  both apply to Tx and Rx,  $t_{POR\_DEACT\_DEL}$  POR applies only for the Rx. The delay time of the Tx is typically  $\sim 10\mu s$ .



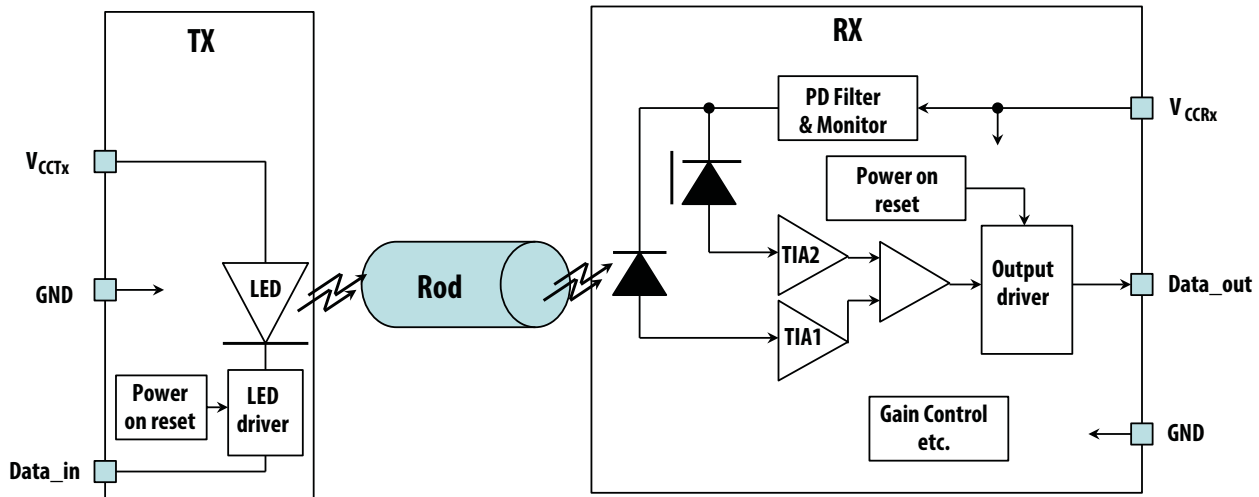
**Specified Link Performance,  $T_A = -40^{\circ}\text{C}$  to  $+85^{\circ}\text{C}$ , DC to 5MBaud, unless otherwise noted.**

Parameter	Symbol	Min.	Typ	Max.	Unit	Condition
Signaling Rate	$f_S$	DC		50	MBd	NRZ
Pulse Width Distortion [1]	PWD	-5		+8	ns	50MBaud
Propagation Delay [2]	$t_D$			50	ns	50MBaud
Skew [3]	$t_S$			5	ns	50MBaud
Supply Current Tx [4]	$I_{CCTx}$		20	31	mA	50Mbaud
Supply Current Rx [4]	$I_{CCRx}$		17	30	mA	50MBaud

Notes:

1. Provided the following characteristics of the electrical input:
  - a) no PWD at 1.5V input level
  - b)  $dU/dt$  between 1V and 2V is less than 1V/ns
2. Determined from 1.5V of the rising edge of Data\_In to 50% of the rising edge of Data\_Out
3. The  $t_D$  variation between multiple devices measured for same input conditions and same external signal delay
4. Depends on Supply Voltage and Signal Rate

**Block Diagram - AFBR-3950xxRZ**



A low Input signal at  $Data_{in}$  results in a low output signal at  $Data_{out}$  (non-inverted Tx to non-inverted Rx).

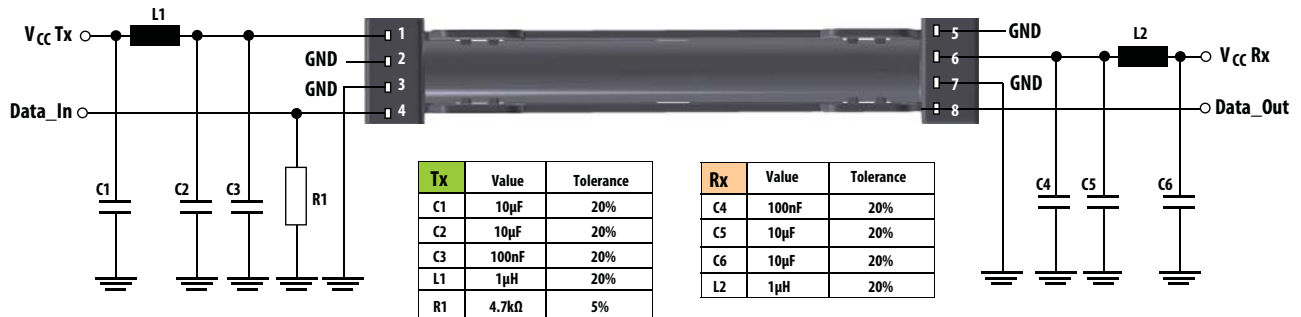
POR remains active during VCC power up, typically until  $10\mu\text{s}$  for Tx and 10ms for Rx after 2.8V is reached. For both Tx and Rx  $Data_{out}$  is low while POR active.

**Recommended chemicals for Cleaning/Degreasing**

Alcohols: methyl, isopropyl, isobutyl.  
 Aliphatics: hexane, heptanes  
 Other: soap solution, naphtha

Do not use partially halogenated hydrocarbons such as 1.1.1 trichloroethane, ketones such as MEK, acetone, chloroform, ethyl acetate, methylene dichloride, phenol, methylene chloride, or N-methylpyrrolidone. Also, Avago does not recommend the use of cleaners that use halogenated hydrocarbons because of their potential environmental harm.

## Recommended Drive Circuit (a) – Top View



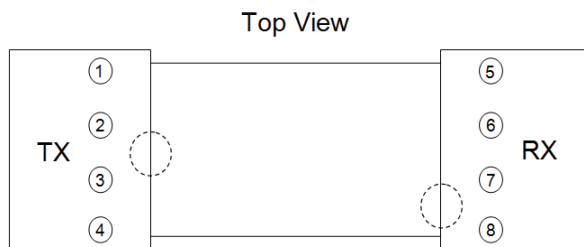
## Pin Description

Pin number	Transmitter	Pin number	Receiver
1	V <sub>CC</sub> Tx	5	No function <sup>[1]</sup>
2	No function <sup>[1]</sup>	6	V <sub>CC</sub> Rx
3	GND	7	GND
4	Data_in	8	Data_out

Notes:

1. It is recommended to connect this pin to signal ground

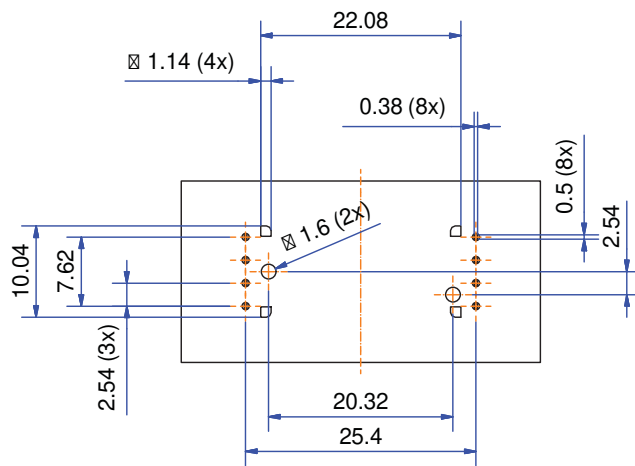
## Pinning Schematic



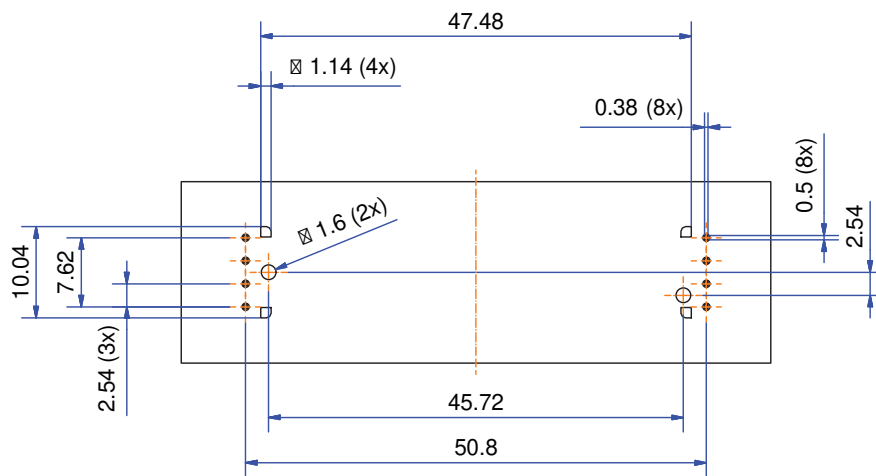
## Footprint (Top View)

Dimensions in mm

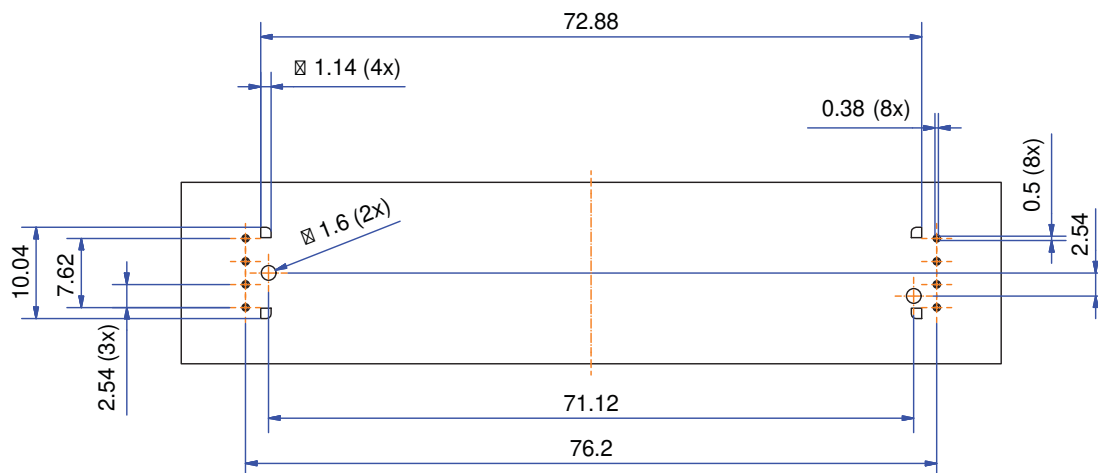
### AFBR-395025RZ



### AFBR-395050RZ



### AFBR-395075RZ

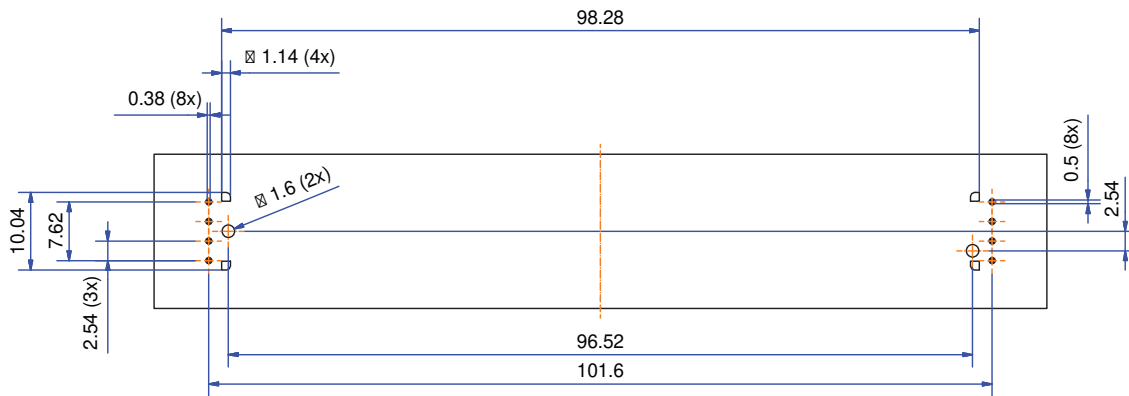




## Footprint (Top View)

Dimensions in mm

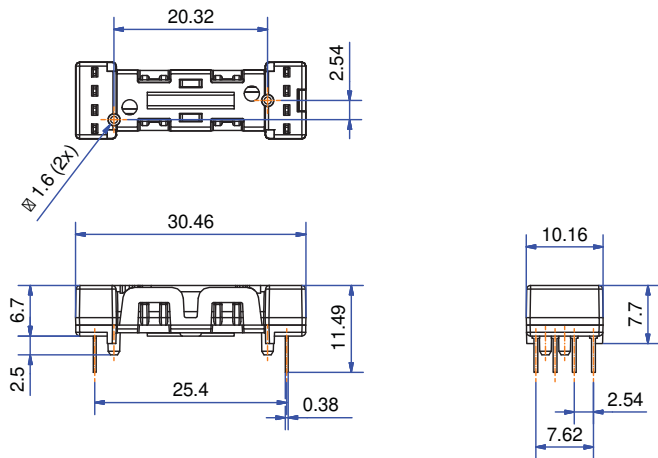
### AFBR-395000RZ



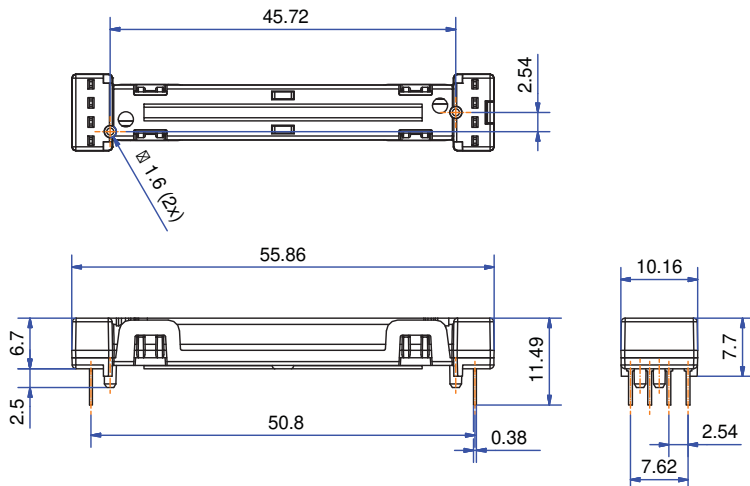
## Mechanical Dimensions

Dimensions in mm

### AFBR-395025RZ



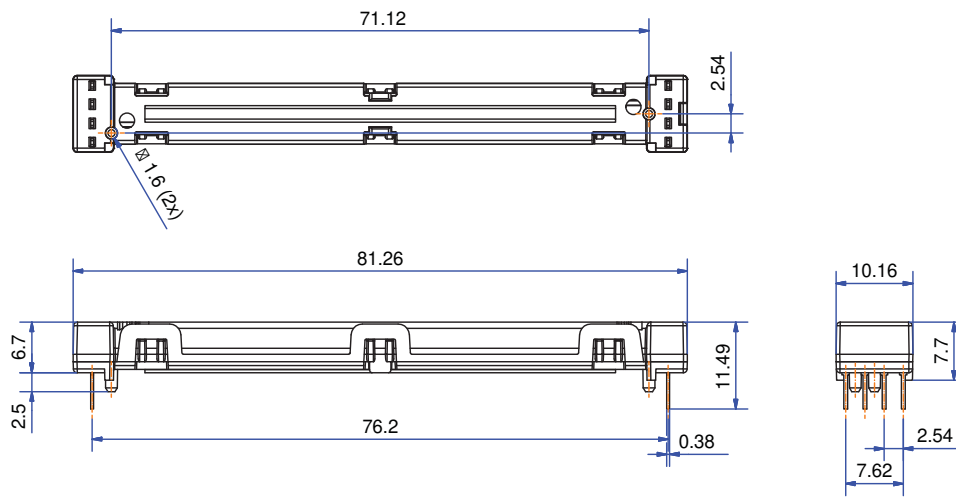
### AFBR-395050RZ



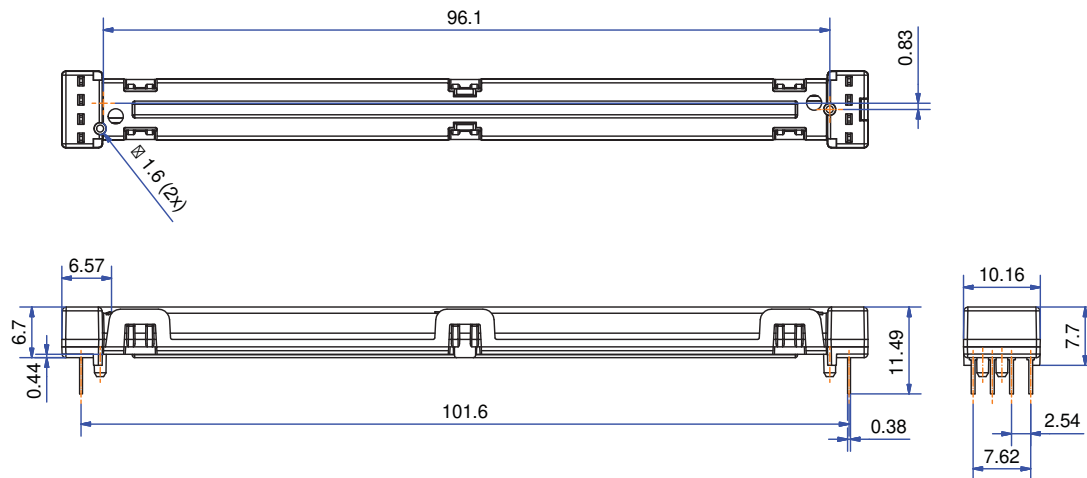
## Mechanical Dimensions

Dimensions in mm

### AFBR-395075RZ



### AFBR-395000RZ



#### IMPORTANT NOTE:

AFBR-3950xxRZ devices must not be bent under any circumstances.



For product information and a complete list of distributors, please go to our web site: [www.broadcom.com](http://www.broadcom.com).

Broadcom, the pulse logo, Connecting everything, Avago Technologies, and the A logo are the trademarks of Broadcom in the United States, certain other countries and/or the EU.

Copyright © 2015–2016 Broadcom. All Rights Reserved.

The term "Broadcom" refers to Broadcom Limited and/or its subsidiaries. For more information, please visit [www.broadcom.com](http://www.broadcom.com). Broadcom reserves the right to make changes without further notice to any products or data herein to improve reliability, function, or design.

Information furnished by Broadcom is believed to be accurate and reliable. However, Broadcom does not assume any liability arising out of the application or use of this information, nor the application or use of any product or circuit described herein, neither does it convey any license under its patent rights nor the rights of others.

