



Chipsmall Limited consists of a professional team with an average of over 10 year of expertise in the distribution of electronic components. Based in Hongkong, we have already established firm and mutual-benefit business relationships with customers from,Europe,America and south Asia,supplying obsolete and hard-to-find components to meet their specific needs.

With the principle of “Quality Parts,Customers Priority,Honest Operation,and Considerate Service”,our business mainly focus on the distribution of electronic components. Line cards we deal with include Microchip,ALPS,ROHM,Xilinx,Pulse,ON,Everlight and Freescale. Main products comprise IC,Modules,Potentiometer,IC Socket,Relay,Connector.Our parts cover such applications as commercial,industrial, and automotives areas.

We are looking forward to setting up business relationship with you and hope to provide you with the best service and solution. Let us make a better world for our industry!



Contact us

Tel: +86-755-8981 8866 Fax: +86-755-8427 6832

Email & Skype: info@chipsmall.com Web: www.chipsmall.com

Address: A1208, Overseas Decoration Building, #122 Zhenhua RD., Futian, Shenzhen, China



AFBR-4536EZ, -4536BZ, -4536DZ

Plastic Optical Duplex Bulkhead Connector

Suitable For Duplex Connector AFBR-452xZ



Data Sheet



Lead (Pb) Free
RoHS 6 fully
compliant



Description

Avago Technologies' AFBR-4536xZ duplex bulkhead connectors are designed for use with Avago Technologies' duplex connectors AFBR-452xZ. Its rugged design contains a latching mechanism for an increased retention force. The simple snap-together concept saves the user labor and tool cost.

The connectors are made of a rugged, flame retardant plastic which is suitable for industrial and other harsh environments. The AFBR-4536xZ duplex bulkhead connectors are for use with Plastic Optical Fiber (POF) only.

The AFBR-4536EZ uses standard black port color, AFBR-4536BZ has a blue colored port and AFBR-4536DZ has one black and one blue port. This product is lead free and compliant with RoHS.

Features

- Thermocomp[®] Plastic Material (UL File #E121562)
- Available in two colors: black and blue
- Excellent Retention Force
- Symmetry in Non-latching Connector Gives Simplex/Duplex Functionality with the Same Part

Applications

- Industrial Control and Voltage Isolation
- Automotive Networks
- Proprietary System Interconnects
- Gaming Equipment
- Medical Equipment
- Telecommunications
- Data Communications

Absolute Maximum Ratings

Parameter	Symbol	Min.	Max.	Unit	Notes
Storage Temperature	T _{ST}	-40	+85	°C	1
Recommended Operating Temperature	T _{OP}	-40	+85	°C	1
Installation Temperature	T _{INST}	0	+70	°C	1

Notes:

1. Storage and operating temperatures refer to the ranges over which the connectors can be used when not subjected to mechanical stress. Installation temperature refers to the ranges over which connectors may be installed onto the fiber and over which connectors can be connected and disconnected from the transceiver.

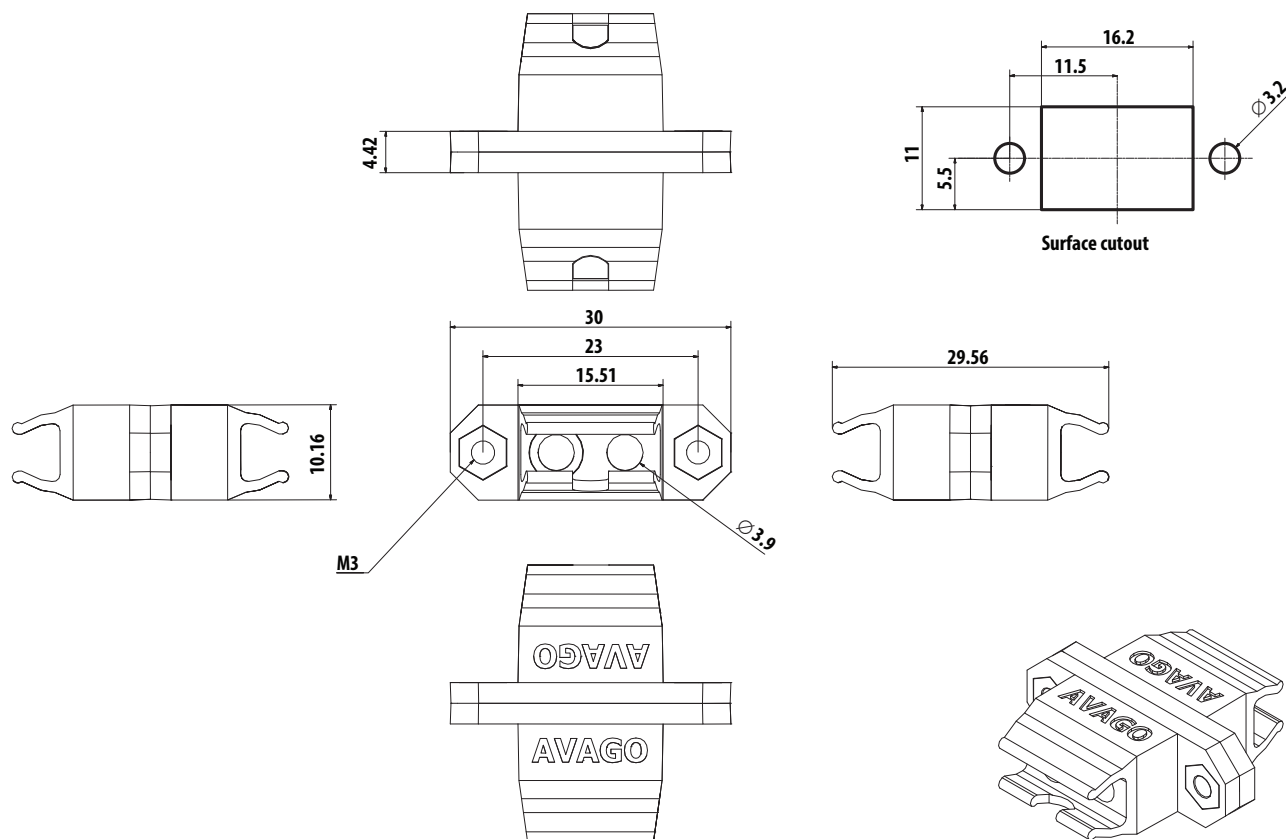
Mechanical and Optical Characteristics

Parameter	Symbol	Min.	Typ.	Max.	Unit	Temp. [°C]	Notes
Retention force, bulkhead to duplex connector; latching button pressed	F _{RP}	15	35		N	25	1
Retention force, bulkhead to duplex connector; latching button NOT pressed	F _{RNP-25}		45		N	25	1
Retention force, bulkhead to duplex connector; latching button NOT pressed	F _{RNP}	20			N	-40 to 85	2
Insertion force, bulkhead to duplex connector	F _I		30		N		1
Insertion loss using AFBR-4526Z duplex connector	P _{ATT}		1.5	2.5	dB	-40 to 85	3

Notes:

1. Typical data are at 25°C.
2. Usually, the button of the latching mechanism shall be pressed when disconnecting the fiber. If the connector is pulled out of the bulkhead connector while the lever is not pressed, the latching mechanism will degrade significantly after the first cycle
3. Well polished POF surfaces, measured at beginning of life (0hrs) using original Avago 1m cable assembly. The typical value is valid for room temperature.

Package Dimensions



For product information and a complete list of distributors, please go to our web site: www.avagotech.com

Avago, Avago Technologies, and the A logo are trademarks of Avago Technologies in the United States and other countries. Data subject to change. Copyright © 2005-2015 Avago Technologies. All rights reserved. AV02-4967EN - July 1, 2015

AVAGO
TECHNOLOGIES