



Chipsmall Limited consists of a professional team with an average of over 10 year of expertise in the distribution of electronic components. Based in Hongkong, we have already established firm and mutual-benefit business relationships with customers from,Europe,America and south Asia,supplying obsolete and hard-to-find components to meet their specific needs.

With the principle of “Quality Parts,Customers Priority,Honest Operation,and Considerate Service”,our business mainly focus on the distribution of electronic components. Line cards we deal with include Microchip,ALPS,ROHM,Xilinx,Pulse,ON,Everlight and Freescale. Main products comprise IC,Modules,Potentiometer,IC Socket,Relay,Connector.Our parts cover such applications as commercial,industrial, and automotives areas.

We are looking forward to setting up business relationship with you and hope to provide you with the best service and solution. Let us make a better world for our industry!



Contact us

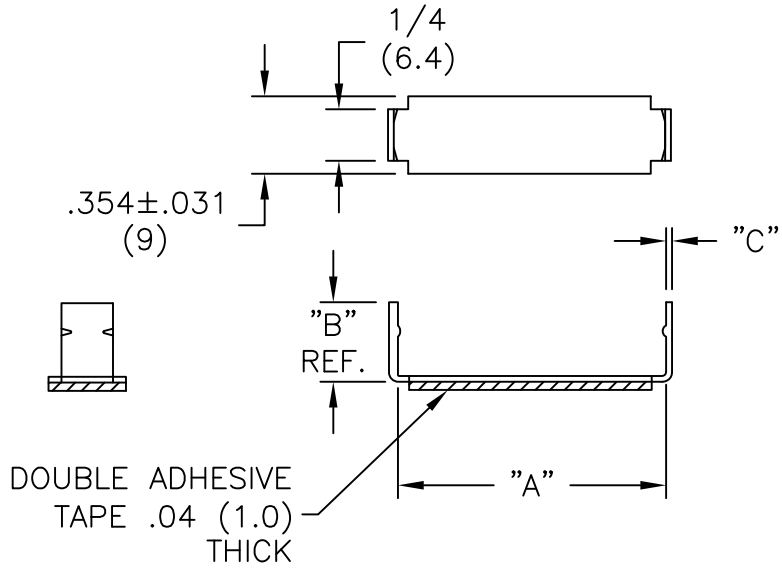
Tel: +86-755-8981 8866 Fax: +86-755-8427 6832

Email & Skype: info@chipsmall.com Web: www.chipsmall.com

Address: A1208, Overseas Decoration Building, #122 Zhenhua RD., Futian, Shenzhen, China



PART NO.	CABLE WIDTH "A"	DIM "B"	DIM "C"
AFCC-08	1/2 (12.7)	1/4 (6.4)	.02 (0.5)
AFCC-12	3/4 (19.1)	1/4 (6.4)	
AFCC-16	1 (25.4)	5/16 (7.9)	
AFCC-20	1-1/4 (31.8)	3/8 (9.5)	
AFCC-21	1-5/16 (33.3)	.385 (9.8)	
AFCC-24	1-1/2 (38.1)	7/16 (11.1)	
AFCC-28	1-3/4 (44.5)	1/2 (12.7)	.03 (0.7)
AFCC-32	2 (50.8)	9/16 (14.3)	



NOTES:

1. MATERIAL: ALUMINUM (RMS-194)
2. ADHESIVE: RUBBER (RMS-34)

F SEE CO 200463 FOR CHANGES SK 10.27.09 E SEE CO 200379 FOR CHANGES SK 06.12.09 D SEE CO 200041 FOR CHANGES SK 09.28.07 C SEE ECN #1276 FOR CHANGES SK 01.22.07 B CHANGED FILE NO. AND TITLE BLOCK SM 03.22.02 A CONVERTED TO ACAD PB 01.16.95 REV DESCRIPTION ENGR DATE			TITLE: ALUMINUM FLAT CABLE CLAMP			DWG IN IN (MM)	
TOLERANCES UNLESS NOTED .XX=±.010 .XXX=±.005 FRAC=±1/64 ANG=±1°			FILE # AFCC MAT'L: SEE NOTES RE: RICHCO, INC.		DWN: P.B. APP: DT: 01-16-95 DT: RICHCO INC. PO BOX 804238, CHICAGO, 60680 (773) 539-4060		
			PART # SEE TABLE		PRINT TYPE CA		