



Chipsmall Limited consists of a professional team with an average of over 10 year of expertise in the distribution of electronic components. Based in Hongkong, we have already established firm and mutual-benefit business relationships with customers from,Europe,America and south Asia,supplying obsolete and hard-to-find components to meet their specific needs.

With the principle of “Quality Parts,Customers Priority,Honest Operation,and Considerate Service”,our business mainly focus on the distribution of electronic components. Line cards we deal with include Microchip,ALPS,ROHM,Xilinx,Pulse,ON,Everlight and Freescale. Main products comprise IC,Modules,Potentiometer,IC Socket,Relay,Connector.Our parts cover such applications as commercial,industrial, and automotives areas.

We are looking forward to setting up business relationship with you and hope to provide you with the best service and solution. Let us make a better world for our industry!



## Contact us

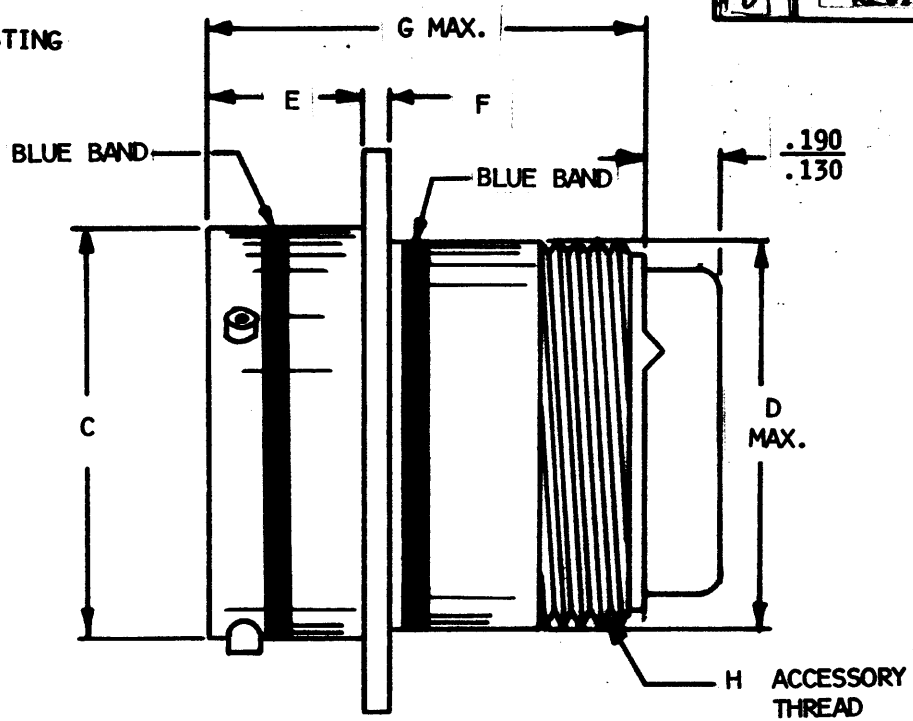
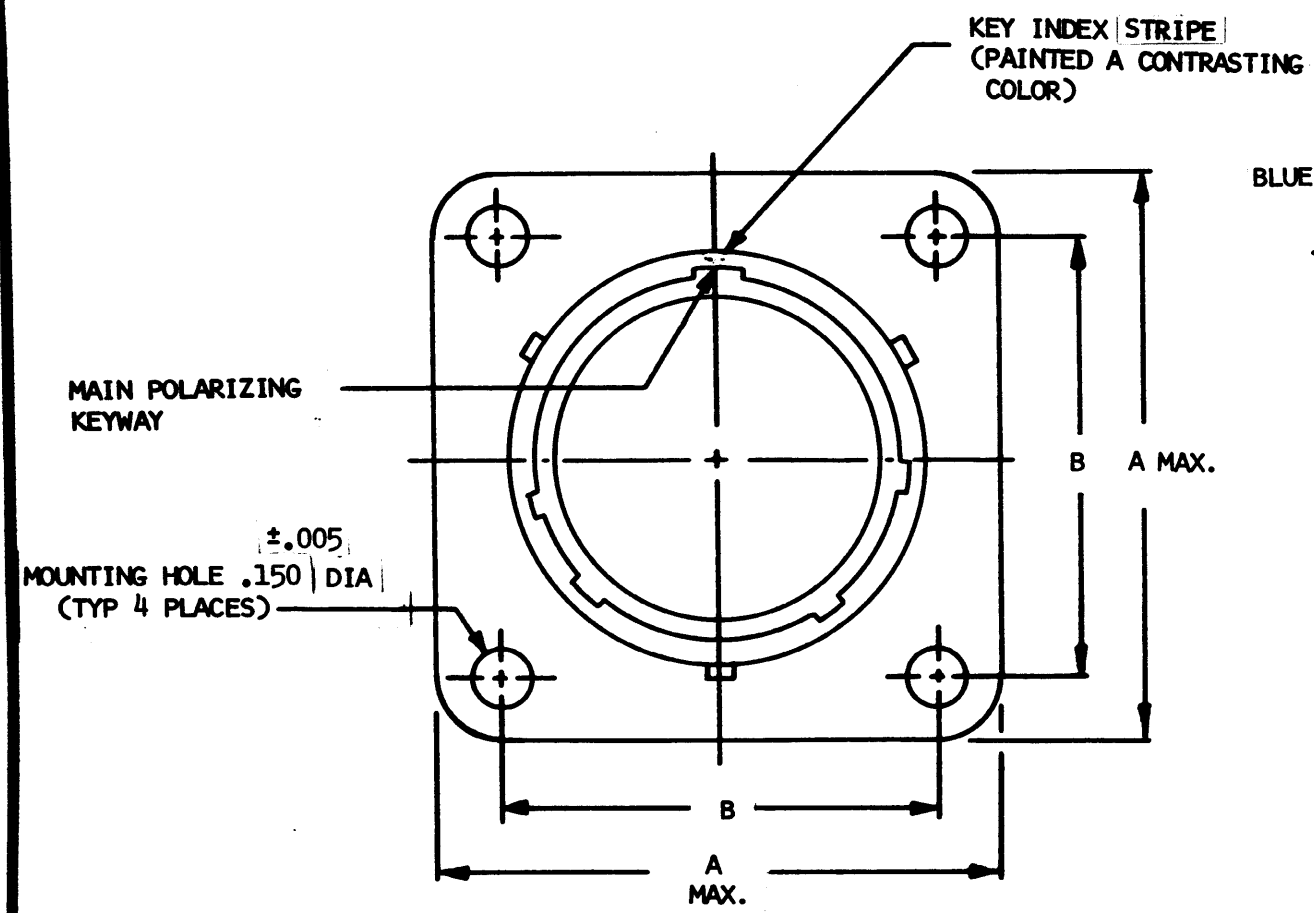
Tel: +86-755-8981 8866 Fax: +86-755-8427 6832

Email & Skype: info@chipsmall.com Web: www.chipsmall.com

Address: A1208, Overseas Decoration Building, #122 Zhenhua RD., Futian, Shenzhen, China



D AFD58-X*P/S*-1A		REVISIONS		
REV	DESCRIPTION	DATE	APPROVED	
1 D	REVISED PER E.O. 14087	7/25/77	M. Ketchum	



1. THIS CONNECTOR IS DESIGNED TO MEET THE REQUIREMENTS OF MIL-C-26482, CLASS "R".
2. FOR AVAILABLE CONTACT ARRANGEMENTS AND ALTERNATE INSERT POSITIONS, SEE 38500 B SHEETS IN DBA CATALOG SECTION.
3. CONNECTOR ASSEMBLY MUST INCLUDE A BACKSHELL TO MEET MOISTURE REQUIREMENTS OF MIL-C-83723. FOR BACKSHELL PART NUMBERS REFER TO DEUTSCH DRAWINGS  
 38007-X-3014 BACKSHELL STRAIGHT  
 38008-X-3014 BACKSHELL STRAIGHT STRAIN RELIEF  
 38009-X-3014 90° END BELL.
4. CONNECTOR WEIGHTS SHOWN ARE LESS CONTACTS.
5. CONNECTORS ARE SHIPPED WITH APPLICABLE CONTACTS, SEALING PLUGS AND INSERTION/EXTRACTION TOOL(S).
6. DIMENSIONS ARE IN INCHES UNLESS OTHERWISE SPECIFIED.

SIZE	PART NUMBERS	A	±.005 B	C <sup>+0.001</sup> <sub>-.005</sub>	D	+0.031 E <sub>-.000</sub>	F±.015	G	H THREAD	MAX. WEIGHTS IN LBS.
8	AFD58-8-*P*-1A	1.064	.734	.473	.499	.462	.062	1.215	1/2-20 UNEF	PIN .0195
	AFD58-8-*S*-1A									SOC .0207
10	AFD58-10-*P*-1A	1.141	.812	.590	.625	.462	.062	1.215	5/8-24 UNEF	PIN .0249
	AFD58-10-*S*-1A									SOC .0272
12	AFD58-12-*P*-1A	1.266	.938	.750	.750	.462	.062	1.215	3/4-20 UNEF	PIN .0383
	AFD58-12-*S*-1A									SOC .0417
14	AFD58-14-*P*-1A	1.360	1.031	.875	.875	.462	.062	1.215	7/8-20 UNEF	PIN .0485
	AFD58-14-*S*-1A									SOC .0539
16	AFD58-16-*P*-1A	1.453	1.125	1.000	1.000	.462	.062	1.215	1-20 UNEF	PIN .0563
	AFD58-16-*S*-1A									SOC .0652
18	AFD58-18-*P*-1A	1.532	1.203	1.125	1.062	.462	.062	1.215	1 1/16-18 UNEF	PIN .0662
	AFD58-18-*S*-1A									SOC .0752
20	AFD58-20-*P*-1A	1.688	1.297	1.250	1.187	.556	.094	1.275	1 3/16-18 UNEF	PIN .0861
	AFD58-20-*S*-1A									SOC .0978
22	AFD58-22-*P*-1A	1.766	1.375	1.375	1.312	.556	.094	1.275	1 5/16-18 UNEF	PIN .1013
	AFD58-22-*S*-1A									SOC .1206
24	AFD58-24-*P*-1A	1.891	1.500	1.500	1.437	.589	.094	1.275	1 7/16-18 UNEF	PIN .1162
	AFD58-24-*S*-1A									SOC .1331

SIGNATURE & DATE	
DR	M. HONETT 8/27/69
CHK	R. J. ... 9-17-69
PE	Blain 9-17-69
APPD	AK
SCALE	NONE
WT	

RECEPTACLE,  
 WIDE SQUARE FLANGE MTG.,  
 BAYONET COUPLING CONNECTOR,  
 MIL-C-26482 TYPE.

(ENVELOPE)

CP MAIL CODE

**The Deutsch Company**  
 ELECTRONIC COMPONENTS DIVISION  
 Municipal Airport  
 Banning, California

**B** AFD58-X\*P/S\*-1A

DWG SIZE CODE 11139 SHEET 1 OF 1