



Chipsmall Limited consists of a professional team with an average of over 10 year of expertise in the distribution of electronic components. Based in Hongkong, we have already established firm and mutual-benefit business relationships with customers from,Europe,America and south Asia,supplying obsolete and hard-to-find components to meet their specific needs.

With the principle of “Quality Parts,Customers Priority,Honest Operation,and Considerate Service”,our business mainly focus on the distribution of electronic components. Line cards we deal with include Microchip,ALPS,ROHM,Xilinx,Pulse,ON,Everlight and Freescale. Main products comprise IC,Modules,Potentiometer,IC Socket,Relay,Connector.Our parts cover such applications as commercial,industrial, and automotives areas.

We are looking forward to setting up business relationship with you and hope to provide you with the best service and solution. Let us make a better world for our industry!



Contact us

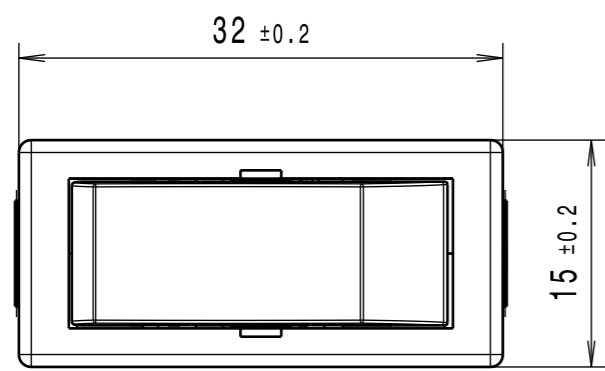
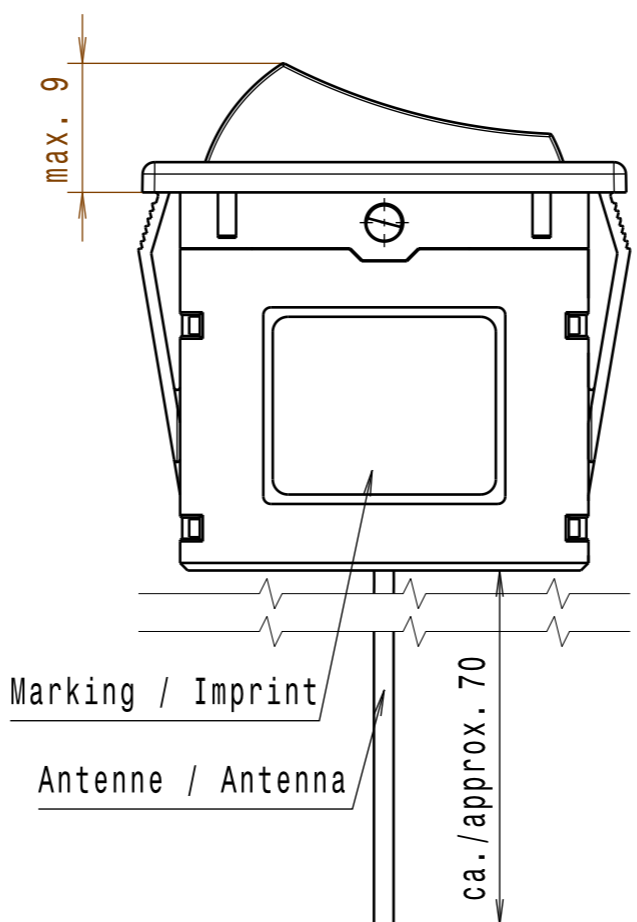
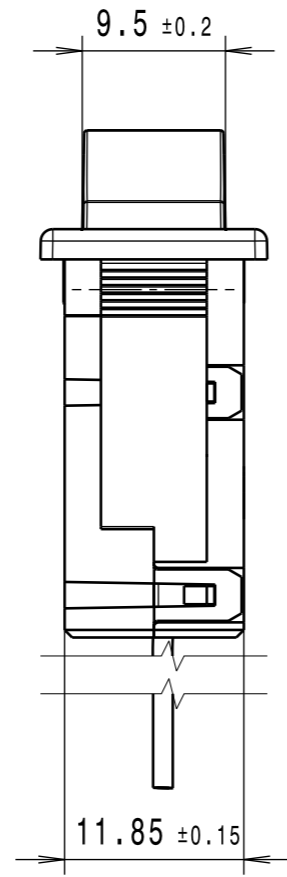
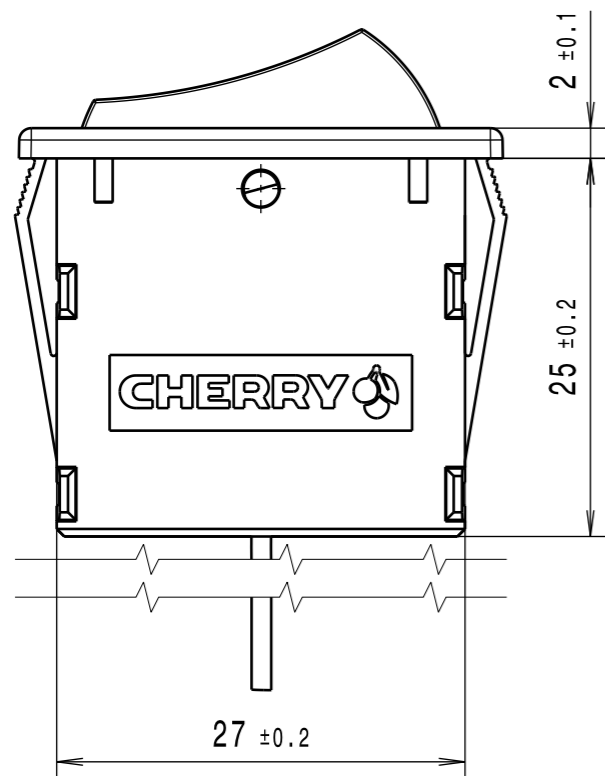
Tel: +86-755-8981 8866 Fax: +86-755-8427 6832

Email & Skype: info@chipsmall.com Web: www.chipsmall.com

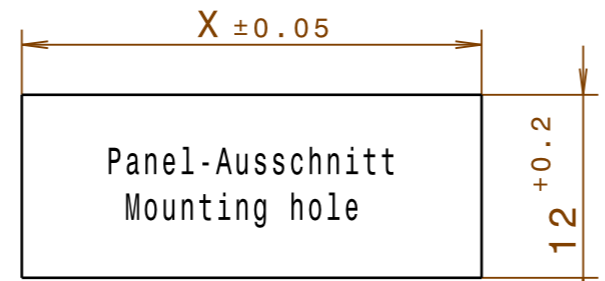
Address: A1208, Overseas Decoration Building, #122 Zhenhua RD., Futian, Shenzhen, China



The reproduction, distribution and utilization of this drawing as well as the communication of its contents to others without explicit authorization is prohibited. Offenders will be held liable for the payment of damages. All rights reserved in the event of the grant of a patent, utility model or design patent.



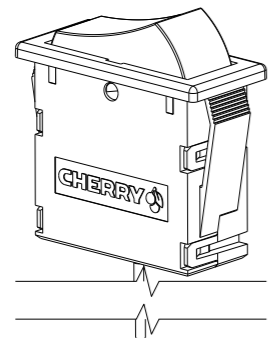
Vorschlag Ausschnitt fuer Rastbefestigung
(Grat gegenueber Bestueckungsseite)
Proposed cut-out for snap-in fixing
(edge opposite to snap-in direction)



Z = Panel-Dicke / Panel thickness

Masz Z Dim. Z	Masz X Dim. X
1.0 bis/to 1.5	30.4
>1.5 bis/to 2.0	30.7
>2.0 bis/to 2.5	31.0
>2.5 bis/to 3.0	31.3

Isometric view
Scale: 1:1



Technische Angaben / Technical Data:

Werkstoffe / Materials:
 Gehaeuse, Wippe / Housing, Rocker : PA66
 Antenne / Antenna : FLRY-0.35-B gr/gy

Temperaturbereich / Temperature rating : -40°C bis/to +85°C
 Lebensdauer / Live time : 100 000 Zyklen bei RT nach ISO 554 cycles at ambient temp. acc. to ISO 554

Schaltbetaetigungskraft / Operating force : max. 15N
 Betaetigungsgeschwindigkeit / Operating speed: 0.1m/s
 Frequenz/Frequency : 915MHz ±0.5MHz
 Sendeleistung typ./Transmission power typ. : +6dBm
 Protokoll / Protocol : ZF Proprietary
 Datenrate / Datarate : 76.9KBps ±5%
 Modulation / Modulation : 2-FSK

Schutzart / Protection : IP 40

Zulassung: : **FC**
 Approbation : FCC Part 15C
 FCC Part 15.247

Weitere Angaben siehe Systemanforderung autarker Generator.
 Bei Abweichungen gelten die Zeichnungsangaben.
 Further details please refer to System requirements autarkical generator
 In case there are any deviations the drawing details have priority.

02	.	183189	25.06.2015	ER	Betaetigungsgeschwindigkeit 0.1m/s, war 0.1-0.25m/s.
01	.	182540	15.04.2015	ER	Betaetigungsgeschwindigkeit geaendert auf 0.1-0.25m/s, war 0.05-0.25m/s.
00	.	180376	05.06.2014	WS	Neueinfuehrung / New implementation
Index rev.	Anzahl qty.	Mitteilung document no.	Datum date	Name name	Aenderung modification
ⓧ Tolerierung nach / tolerancing according to DIN ISO 8015 ⓧ Allgmeintoleranzen nach / general tolerances according to DIN ISO 2768 - mk ○ Kunststoffteile nach / plastic parts according to DIN 16901 - ... ○ Elastomerteile nach / elastomer parts according to DIN 7715 ○ Form- u. Lagetoleranzen nach / geometrical tolerances according to DIN ISO 1101					
Masze in Millimeter. Fehlende Masze sind dem 3D-Modell zu entnehmen. Schnitte und Einzelheiten nur mit relevanten Koerperkanten dargestellt. Dimensions in millimeters. Missing dimensions have to be taken from the 3D-CAD-Model. Sections and details may not show all outlines.					
Werkstoff, Abmessung / material, dimension					
Oberflaechenbehandlung, Beschaffenheit / surface					
Gewicht / weight					
CAD-System / cad system					
Datum / date					
Name / name					
Bearb. / drawn					
Gepr. / appd.					
Maszstab / scale					
Benennung / description					
verwendet fuer / used for					
Kunde / customer					
Kd.-Teile-Nr. / customer part no.					
Zeichnungs-Nr. / drawing no.					
Dokumentation / documentation					
Blatt / sheet					
Ersatz fuer / replacement for					
Format / format					

Autarker Wippschalter 915 MHz, Monostabil
 Autarkical Rocker Switch, Momentary

AFIS - 5003

ZF Friedrichshafen AG
 Electronic Systems
 Cherrystrasse
 D-91275 Auerbach/Opf.

Blatt / sheet 1 von / of 1
 Ersatz fuer / replacement for

Format / format **A3**

Weitergabe sowie Vervielfaeltigung dieser Zeichnung, Verwertung und Mitteilung des Inhalts sind verboten, soweit nicht ausdrucklich gestattet. Zuwiderhandlung verpflichtet zu Schadenersatz. Alle Rechte fuer den Fall der Patent-, Gebrauchsmuster- oder Geschmaeksmustereintragung vorbehalten.