



Chipsmall Limited consists of a professional team with an average of over 10 year of expertise in the distribution of electronic components. Based in Hongkong, we have already established firm and mutual-benefit business relationships with customers from,Europe,America and south Asia,supplying obsolete and hard-to-find components to meet their specific needs.

With the principle of “Quality Parts,Customers Priority,Honest Operation,and Considerate Service”,our business mainly focus on the distribution of electronic components. Line cards we deal with include Microchip,ALPS,ROHM,Xilinx,Pulse,ON,Everlight and Freescale. Main products comprise IC,Modules,Potentiometer,IC Socket,Relay,Connector.Our parts cover such applications as commercial,industrial, and automotives areas.

We are looking forward to setting up business relationship with you and hope to provide you with the best service and solution. Let us make a better world for our industry!



Contact us


Tel: +86-755-8981 8866 Fax: +86-755-8427 6832

Email & Skype: info@chipsmall.com Web: www.chipsmall.com

Address: A1208, Overseas Decoration Building, #122 Zhenhua RD., Futian, Shenzhen, China

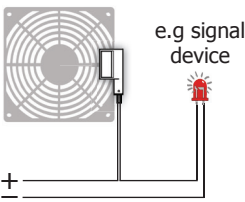




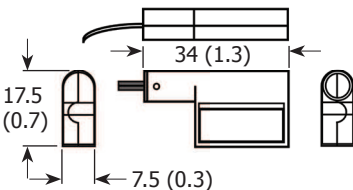


Dimensions: mm (inch)

Wiring Example

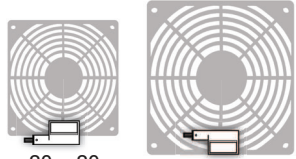


e.g signal device



Air-flow monitor integrated in a protective plastic grill

92 x 92 / 120 x 120
(3.62 x 3.62 / 4.72 x 4.72)



80 x 80
(3.15 x 3.15)

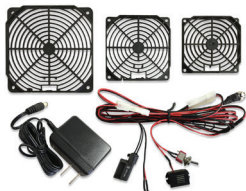
The air-flow monitor provides a simple alternative to indicate positive or negative air flow of fans or blowers. When properly installed and connected in series with an optical (i.e. LED) or audible signaling device, a bi-directional switch will activate an electrical contact if the air flow of the fan falls below 8.2 ft/s, turning the signaling device on or off. The AFM monitor can also be attached to an existing plastic grill or guard.

Specifications

- Contact Type:** Reed/magnet contact
- NC (Normally Closed):** Contact open with air flow
- NO (Normally Open):** Contact closed with air flow
- Switching Threshold of Air Flow Speed:** >8.2 ft/s (2.5 m/s)
- Hysteresis:** 3.3 ft/s (1m/s) - fixed
- Contact Resistance Incl. Wire:** 370m (1214")
- Service Life:** >100,000 cycles
- Maximum Switching Capacity:** 10W (resistive load)
- Maximum Switching Voltage:** NC - AC/DC 240V
NO - DC 60V
- Maximum Switching Current:** NC - DC 500mA
NO - DC 170mA

- Connection:** 2 x single strand AWG26, length 500mm (20"), tip of stranded wire stripped/tinned 5mm (0/20")
NC version (black wires), NO version (blue wires)
- Mounting:** Attachment clamp and/or clip, or integrated in protective plastic grill
- Mounting Position:** Air-flow monitoring opening perpendicular to air flow
- Operating Temperature:** -20 to 50°C (-4 to 122°F)
- Storage Temperature:** -20 to 80°C (-4 to 176°F)
- Housing:** Plastic, UL 94HB, black
- Dimensions:** 34 x 17.5 x 7.5mm (1.3 x 0.7 x 0.3")
- Protection Type:** NEMA 1 (IP 20)
- Agency Approvals:** CE
- RoHS Compliant**

Model No.	Description	Weight
AFM-01NC	Air-flow switch, NC with mounting clip and clamp (for attaching to existing fan assembly)	6 g (0.2 oz)
AFM-01NO	Air-flow monitor, NO with mounting clip and clamp (for attaching to existing fan assembly)	6 g (0.2 oz)
AFM-80NC	Air-flow monitor, NC with 80 x 80mm (3.15") plastic finger guard	20 g (0.7 oz)
AFM-80NO	Air-flow monitor, NO with 80 x 80mm (3.15") plastic finger guard	20 g (0.7 oz)
AFM-92NC	Air-flow monitor, NC with 92 x 92mm (3.62") plastic finger guard	20 g (0.7 oz)
AFM-92NO	Air-flow monitor, NO with 92 x 92mm (3.62") plastic finger guard	20 g (0.7 oz)
AFM-120NC	Air-flow monitor, NC with 120 x 120mm (4.27") plastic finger guard	31 g (1.1 oz)
AFM-120NO	Air-flow monitor, NO with 120 x 120mm (4.27") plastic finger guard	31 g (1.1 oz)

AFM-KIT	<p>Kit includes air-flow switch (AFM-01NC), clip, three plastic guards (80, 92 and 120mm), LED and holder, buzzer, switch and wall-mount power supply. Delivered with a complete 10-foot wire assembly.</p>	
----------------	---	---