



Chipsmall Limited consists of a professional team with an average of over 10 year of expertise in the distribution of electronic components. Based in Hongkong, we have already established firm and mutual-benefit business relationships with customers from,Europe,America and south Asia,supplying obsolete and hard-to-find components to meet their specific needs.

With the principle of “Quality Parts,Customers Priority,Honest Operation,and Considerate Service”,our business mainly focus on the distribution of electronic components. Line cards we deal with include Microchip,ALPS,ROHM,Xilinx,Pulse,ON,Everlight and Freescale. Main products comprise IC,Modules,Potentiometer,IC Socket,Relay,Connector.Our parts cover such applications as commercial,industrial, and automotives areas.

We are looking forward to setting up business relationship with you and hope to provide you with the best service and solution. Let us make a better world for our industry!



Contact us

Tel: +86-755-8981 8866 Fax: +86-755-8427 6832

Email & Skype: info@chipsmall.com Web: www.chipsmall.com

Address: A1208, Overseas Decoration Building, #122 Zhenhua RD., Futian, Shenzhen, China

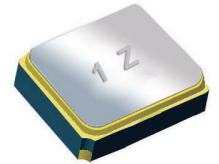


Surface Mount 1575.42MHz SAW Filter

AFS20A53-1575.42-T2



RoHS
Compliant



2.0 x 1.6 x 0.9 mm

FEATURES:

- 2.0 x 1.6 x 0.9 mm low profile SMT package
- Low Insertion loss
- Excellent selectivity with high out-of-band rejection

APPLICATIONS:

- Wireless Communication
- Remote Control
- Cellular Phones

ELECTRICAL SPECIFICATIONS:

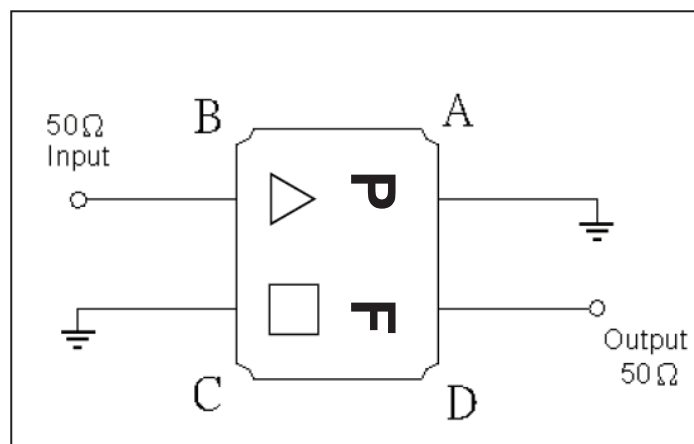
Maximum Ratings

Item	Value
Input Power Level	+20 dBm max.
DC Permissive Voltage	3.0V DC max.
Operating Temperature Range	-55°C to + 105°C
Storage Temperature Range	-55°C to + 105°C

Parameters	Minimum	Typical	Maximum	Units	Notes
Center Frequency (f_c)		1575.42		MHz	
Insertion Loss (IL)		2.1	3.0	dB	1565.42 ~ 1585.42MHz
3-dB Bandwidth	20	53		MHz	
Amplitude Ripple		1.3	2.0	dB	1565.42 ~ 1585.42MHz
Worst-Case Input / Output Return Loss	8	11		dB	1565.42 ~ 1585.42MHz
Group Delay		4	26		1565.42 ~ 1585.42MHz
Stop-band Attenuation (Referenced to 0.0 dB)	15	19		dB	300 ~ 1500MHz
	15	21			1650MHz ~ 1900MHz
	15	21			1900MHz ~ 3000MHz
Source Impedance (Z_S)		50		Ω	See note # 1
Load Impedance (Z_L)		50		Ω	See note # 1

Note #1: No matching network required for operation into 50 Ω 's

TEST CIRCUIT:

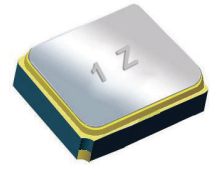


Surface Mount 1575.42MHz SAW Filter

AFS20A53-1575.42-T2

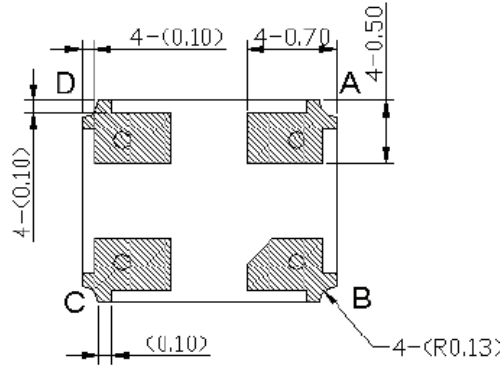
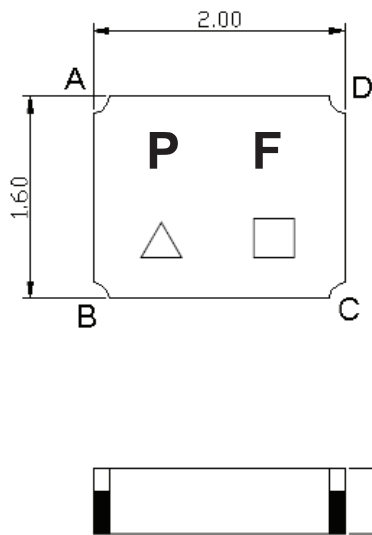


RoHS
Compliant



2.0 x 1.6 x 0.9 mm

OUTLINE DIMENSIONS:



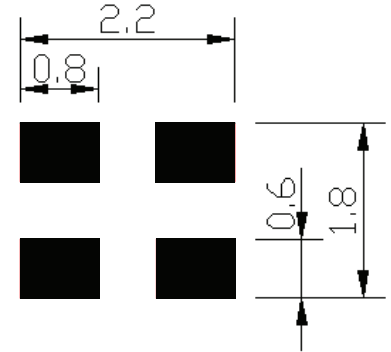
#B:	Input
#D:	Output
#A,C:	Ground

* All Dimensions are in mm

△ : Year Code (2011 = 1, 2012 = 2,etc)

□ : Date Code (Follow the table from planner each year)

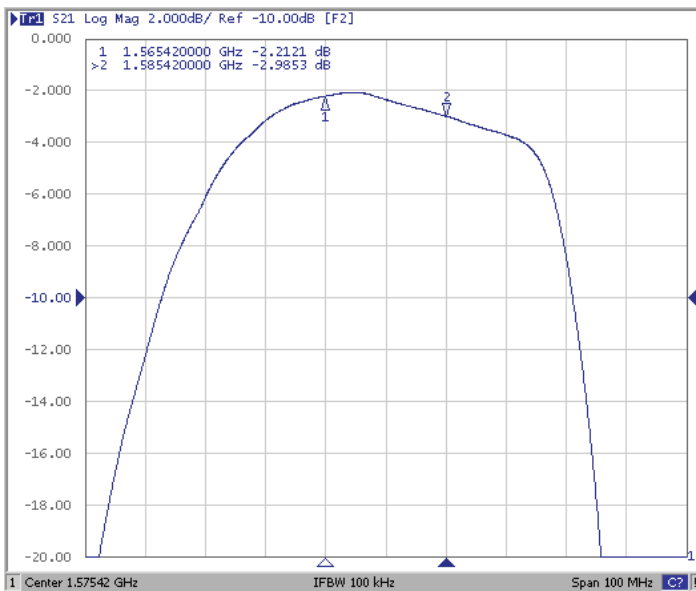
Recommended Land Pattern:



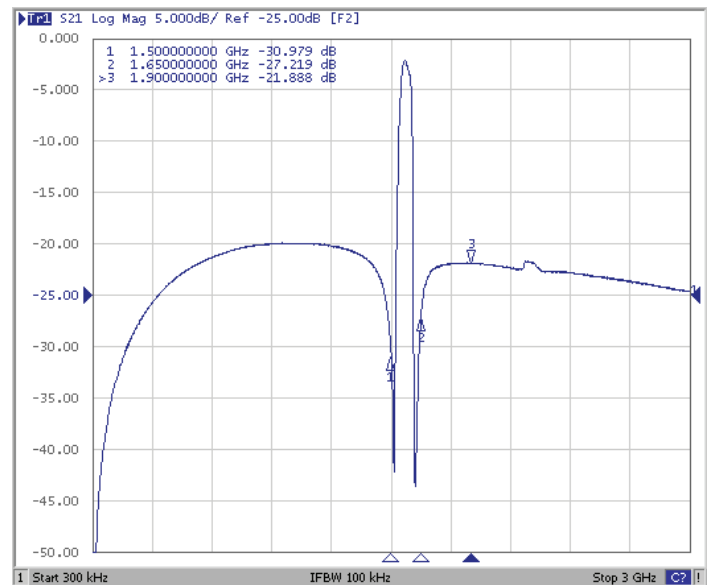
*All Dimensions are in mm

FREQUENCY CHARACTERISTICS:

Filter Frequency Response (Narrowband)



Filter Frequency Response (Wideband)

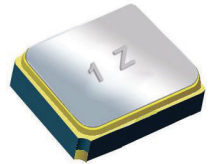


Surface Mount 1575.42MHz SAW Filter

AFS20A53-1575.42-T2

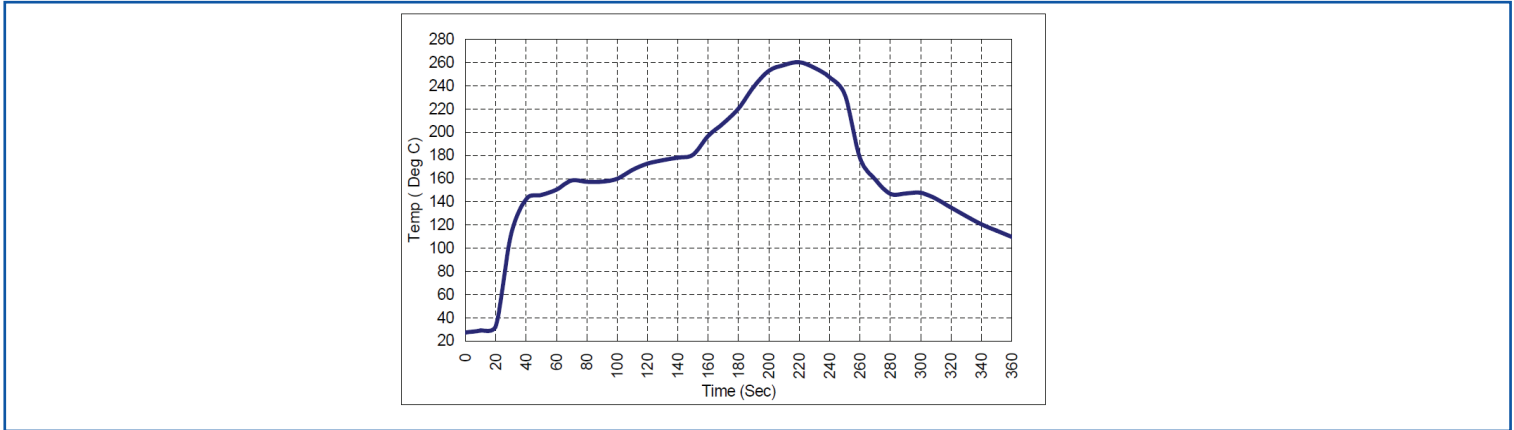


RoHS
Compliant



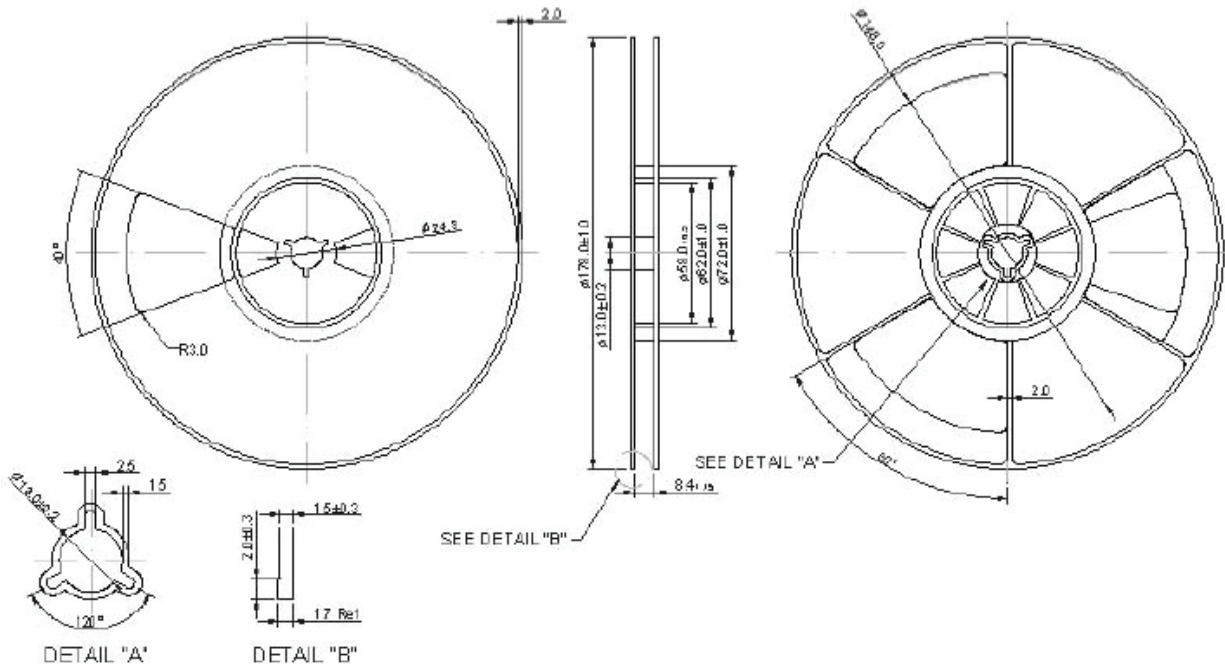
2.0 x 1.6 x 0.9 mm

REFLOW PROFILE:



PACKAGING: 2000 Units/Reel

(Reel Count : 7"=2000 typ. ; 13"=10000 typ.)



ATTENTION: Abracon Corporation's products are COTS – Commercial-Off-The-Shelf products; suitable for Commercial, Industrial and, where designated, Automotive Applications. Abracon's products are not specifically designed for Military, Aviation, Aerospace, Life-dependant Medical applications or any application requiring high reliability where component failure could result in loss of life and/or property. For applications requiring high reliability and/or presenting an extreme operating environment, written consent and authorization from Abracon Corporation is required. Please contact Abracon Corporation for more information.

ABRACON IS
ISO 9001:2008
CERTIFIED



Visit www.abracon.com for Terms & Conditions of Sale
30332 Esperanza, Rancho Santa Margarita, California 92688
tel 949-546-8000 | fax 949-546-8001 | www.abracon.com

Revised: 05.21.12