



Chipsmall Limited consists of a professional team with an average of over 10 year of expertise in the distribution of electronic components. Based in Hongkong, we have already established firm and mutual-benefit business relationships with customers from,Europe,America and south Asia,supplying obsolete and hard-to-find components to meet their specific needs.

With the principle of “Quality Parts,Customers Priority,Honest Operation,and Considerate Service”,our business mainly focus on the distribution of electronic components. Line cards we deal with include Microchip,ALPS,ROHM,Xilinx,Pulse,ON,Everlight and Freescale. Main products comprise IC,Modules,Potentiometer,IC Socket,Relay,Connector.Our parts cover such applications as commercial,industrial, and automotives areas.

We are looking forward to setting up business relationship with you and hope to provide you with the best service and solution. Let us make a better world for our industry!



## Contact us

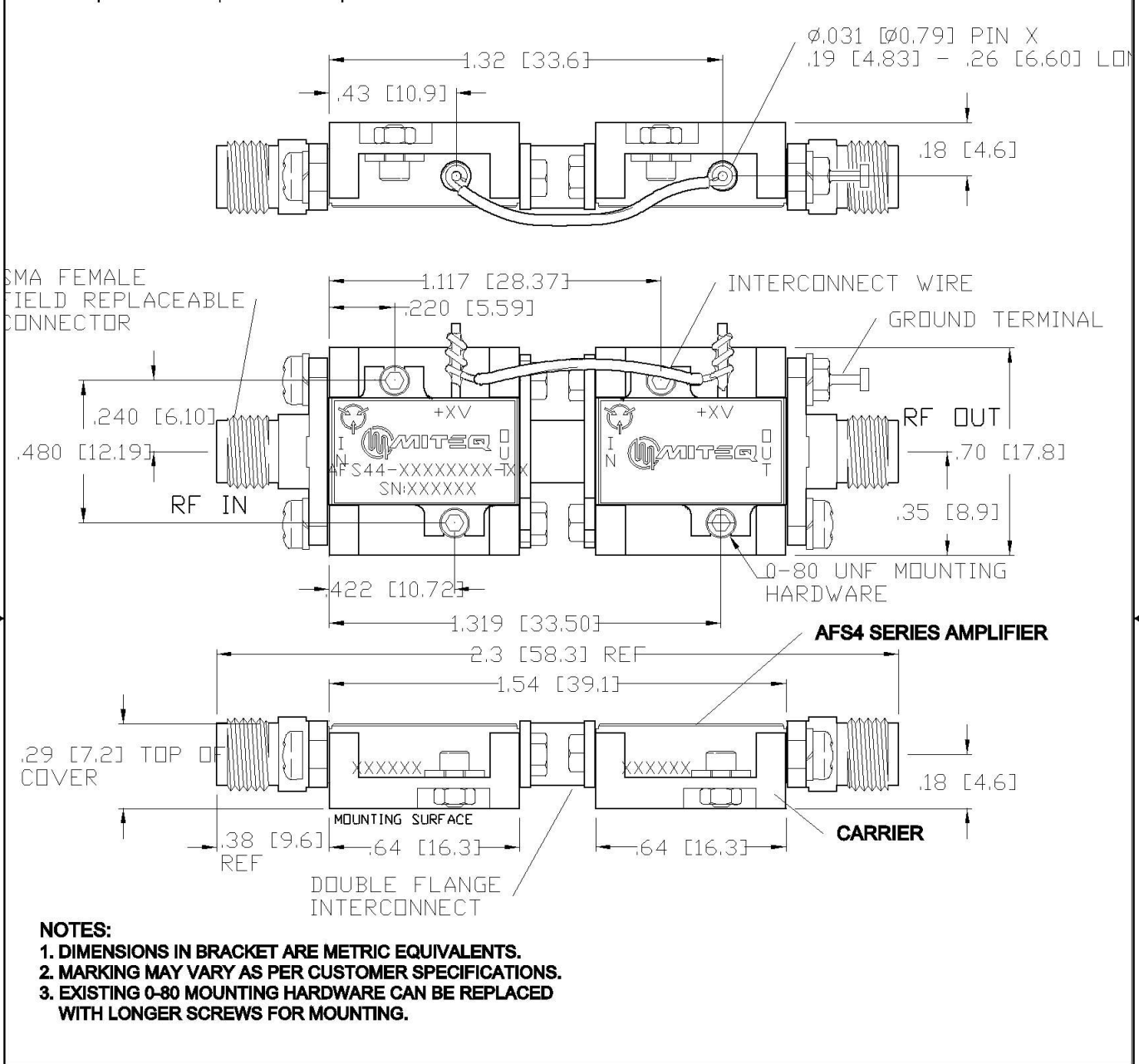
Tel: +86-755-8981 8866 Fax: +86-755-8427 6832

Email & Skype: info@chipsmall.com Web: www.chipsmall.com

Address: A1208, Overseas Decoration Building, #122 Zhenhua RD., Futian, Shenzhen, China



DASH NO.	APPLICATION		REVISIONS			
	NEXT ASSY	USED ON	LTR	DESCRIPTION	DATE	APPROVED
			C	Incorporate ECN 31525	08/05/14	RScherer



UNLESS OTHERWISE SPECIFIED DIMENSIONS ARE IN INCHES TOLERANCES ON	NAME	DATE	 100 Davids Drive, Hauppauge, New York 11788		
	DWN	RScherer			
DECIMAL .X ±0.1 [2.5]	DFT			CASCADING AMPLIFIER AFS44 OUTLINE	
DECIMAL .XX ±0.01 [0.25]	IGN	RScherer	08/05/14		
DECIMAL .XXX ±0.005 [0.13]	PRQJ			SIZE	CODE IDENT. NO.
ANGLES X° ±30'	ENGR	Buonaiuto	08/05/14	A	33592 140941
PROJECTION	MFG			SCALE	PROJECT
ESD SENSITIVE COMPONENT	ENGR				
	Q.C.				
	CUST			SHEET 1	1 OF