



Chipsmall Limited consists of a professional team with an average of over 10 year of expertise in the distribution of electronic components. Based in Hongkong, we have already established firm and mutual-benefit business relationships with customers from,Europe,America and south Asia,supplying obsolete and hard-to-find components to meet their specific needs.

With the principle of “Quality Parts,Customers Priority,Honest Operation,and Considerate Service”,our business mainly focus on the distribution of electronic components. Line cards we deal with include Microchip,ALPS,ROHM,Xilinx,Pulse,ON,Everlight and Freescale. Main products comprise IC,Modules,Potentiometer,IC Socket,Relay,Connector.Our parts cover such applications as commercial,industrial, and automotives areas.

We are looking forward to setting up business relationship with you and hope to provide you with the best service and solution. Let us make a better world for our industry!



Contact us

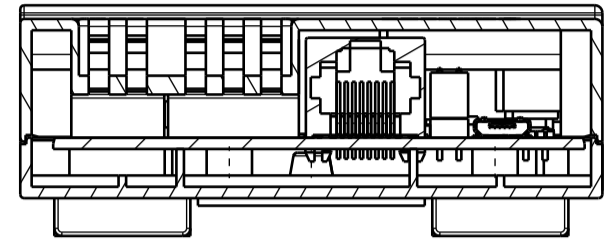
Tel: +86-755-8981 8866 Fax: +86-755-8427 6832

Email & Skype: info@chipsmall.com Web: www.chipsmall.com

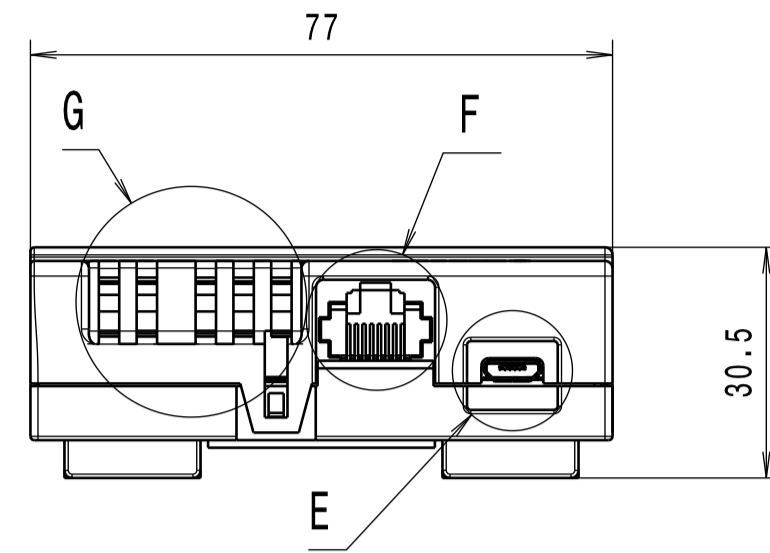
Address: A1208, Overseas Decoration Building, #122 Zhenhua RD., Futian, Shenzhen, China



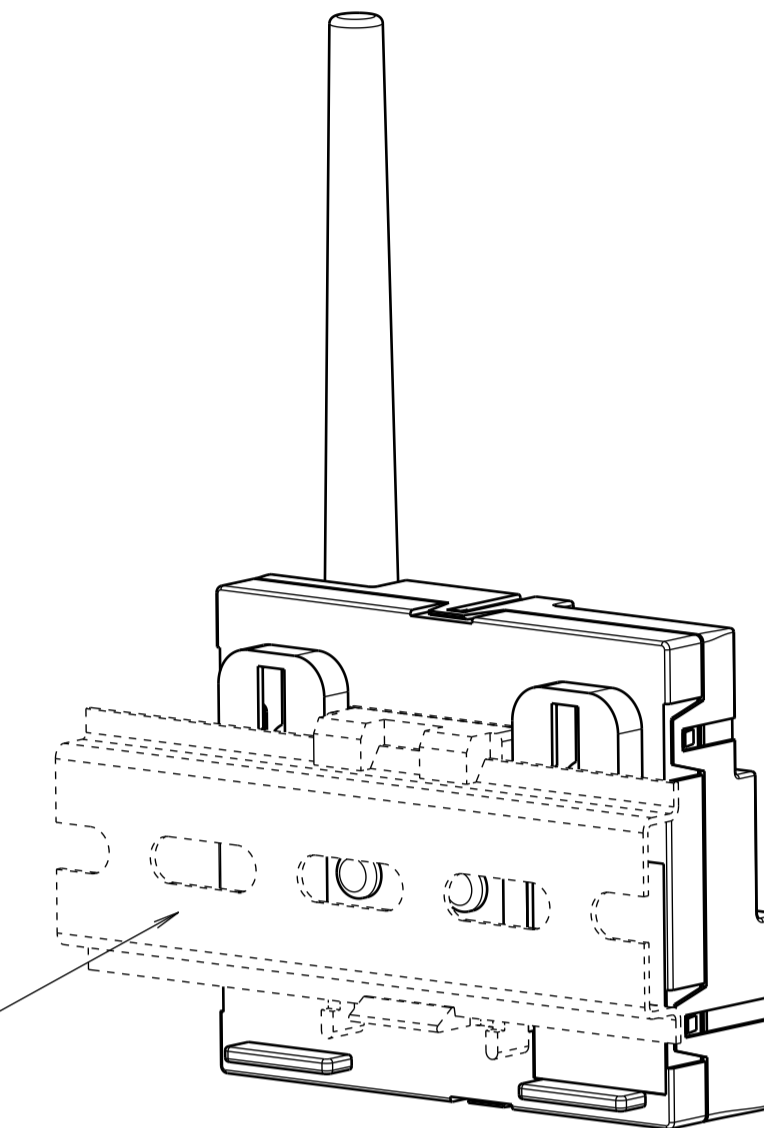
Section view H-H
Scale: 1:1



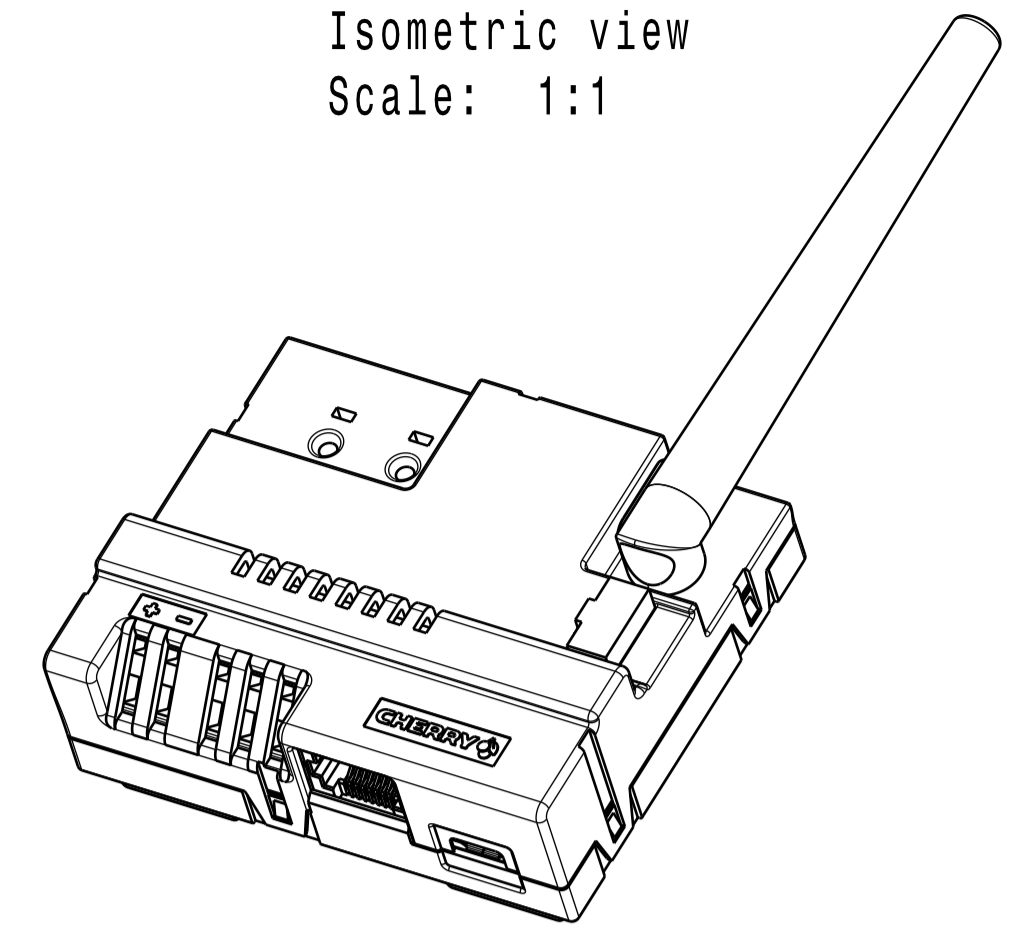
Front view
Scale: 1:1



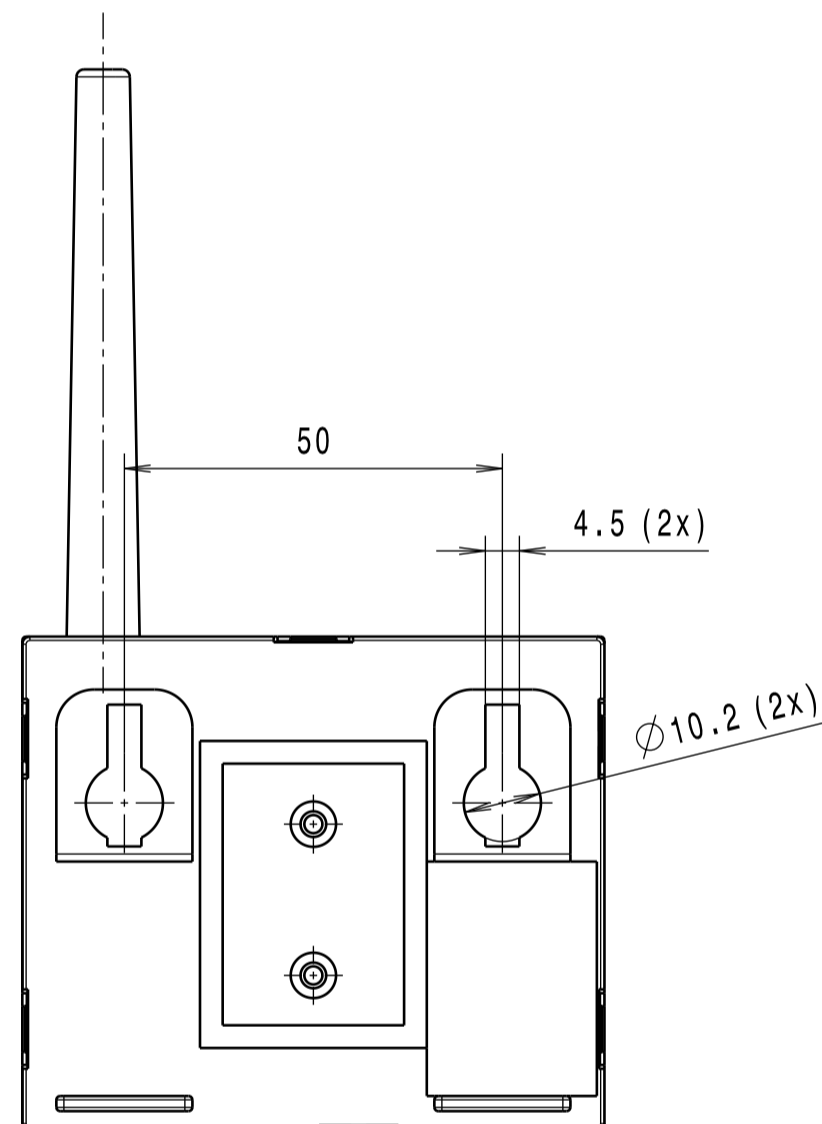
Isometric view
Scale: 1:1



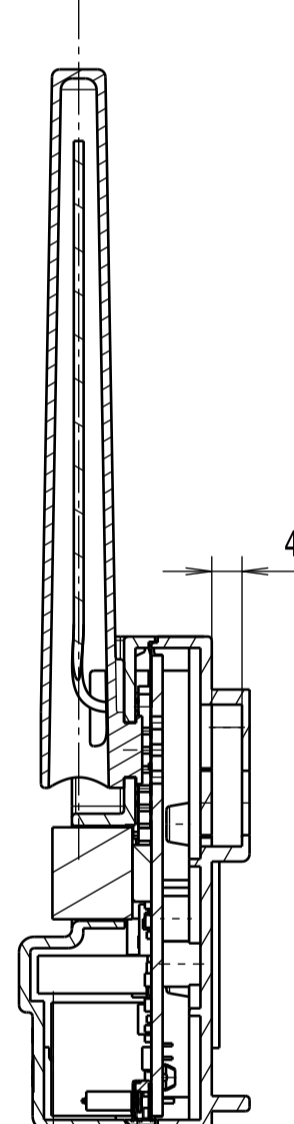
Isometric view
Scale: 1:1



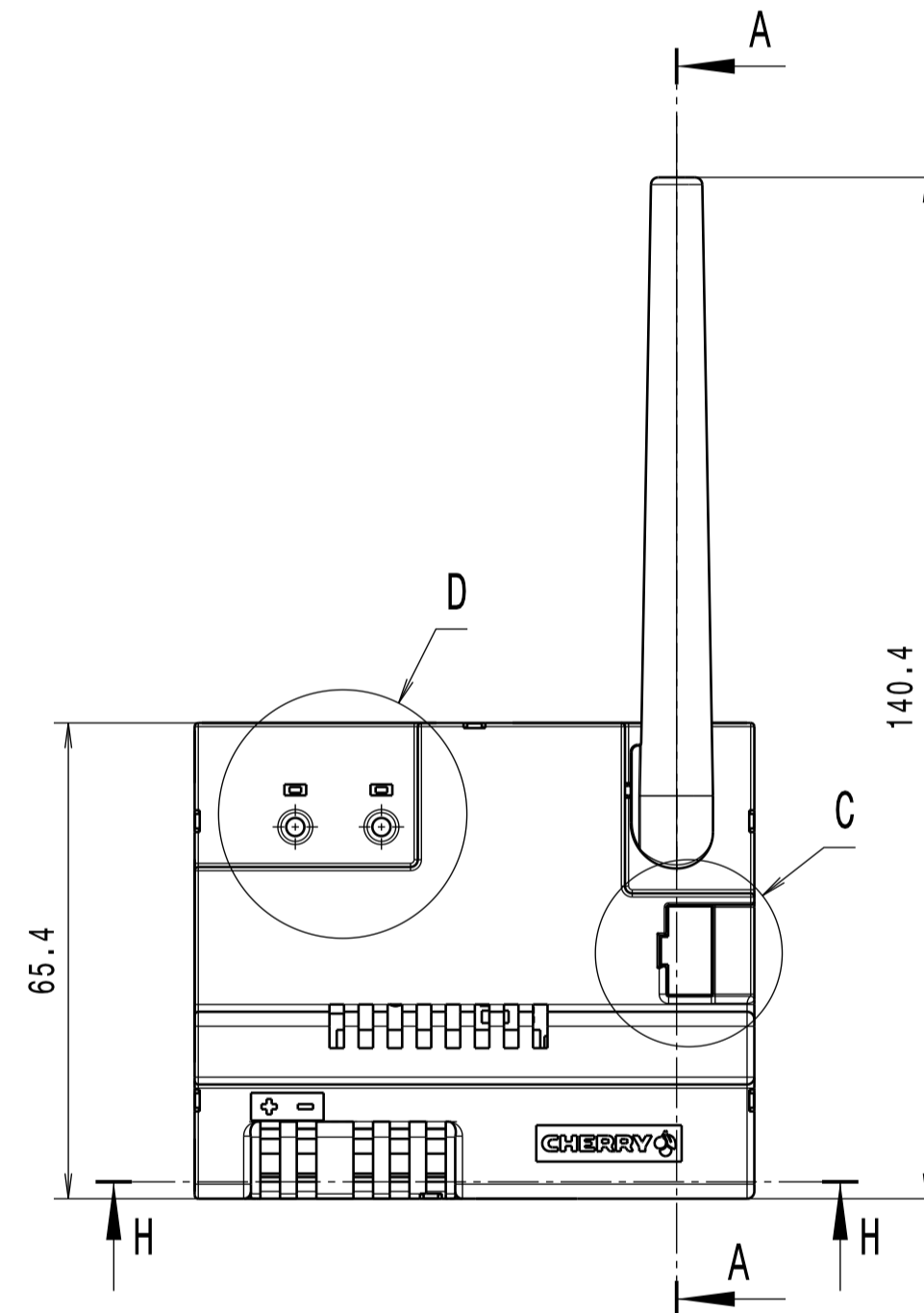
Auxiliary view I
Scale: 1:1



Section view A-A
Scale: 1:1



Top view
Scale: 1:1

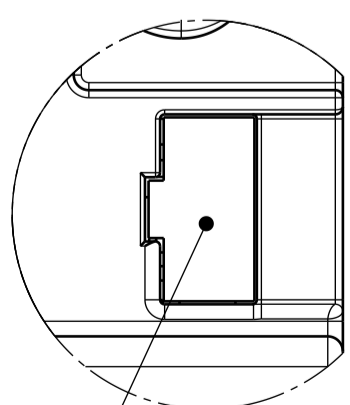


Hutschienenmontage/
Nicht im Lieferumfang enthalten
Montage on the top hat rail/
not contained in the scope of delivery

Technische Angaben / Technical Data:

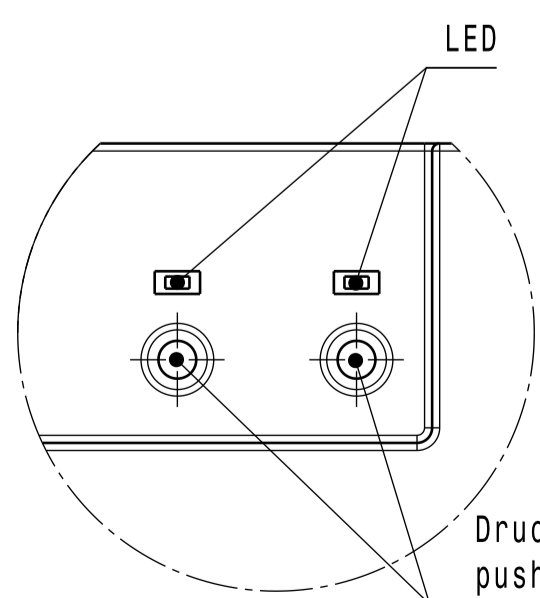
Werkstoffe / Materials:	
Gehäuse / Housing	: PC/ABS
Antenne / Antenna	
Temperaturbereich / Temperature rating	: -40°C bis/to +85°C
Frequenz/Frequency	: 915MHz
Schutzart / Protection	: Berührungsschutz/ contact protection
Zulassung: beantragt Approval: requested	: FC Part 15B (ICES-003)

Detail C
Scale: 2:1



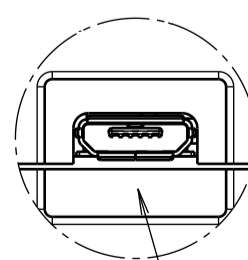
IDC Socket
T812 1 06 SN 01 C EU

Detail D
Scale: 2:1



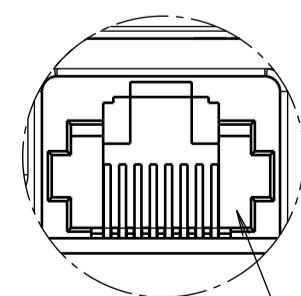
Drucktaster/
pushbutton

Detail E
Scale: 2:1



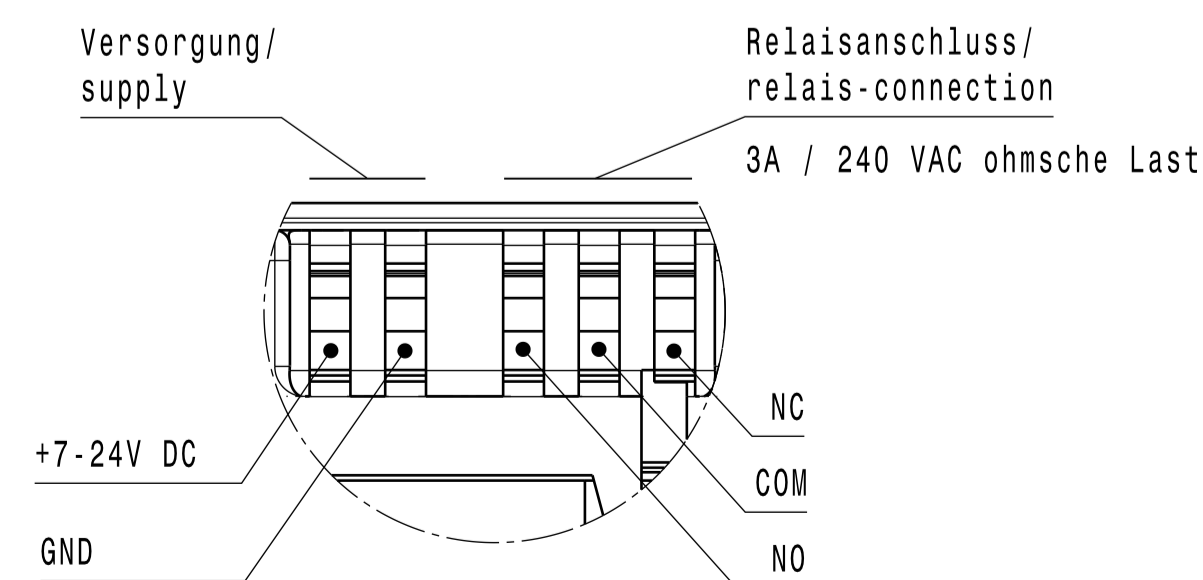
Mikro-USB/
micro-USB

Detail F
Scale: 2:1



RS232 TTL

Detail G
Scale: 2:1



+7-24V DC
GND

Relaisanschluss/
relais-connection
3A / 240 VAC ohmsche Last

Weitere Angaben siehe Dokument Schnittstellenspezifikation.
Bei Abweichungen gelten die Zeichnungsangaben.
Further details please refer to interface documentation.
In case there are any deviations the drawing details have priority.

Index	Actual	Revision	Date	Name	Change
Pro.	Doc.	Doc. No.	date	name	modification
01		182092	17.02.2015	WS	Schutzrippen in Gehäuse hinzu / Protection ribs added in case
00		181010	18.09.2014	DT	Zeichnung erstellt; drawing created.

<ul style="list-style-type: none"> ⊙ Tolerierung nach / tolerancing according to DIN ISO 8015 ⊙ Allgometoleranzen nach / general tolerances according to DIN ISO 2768 ⊙ Kunststoffteile nach / plastic parts according to DIN 16742 -T06 ⊙ Elastomertteile nach / elastomer parts according to DIN 7715 ⊙ Form- u. Lagetoleranzen nach / geometrical tolerances according to DIN ISO 1101 	<ul style="list-style-type: none"> — Konstruktionsmaß / design dimension — Funktionsmerkmal / KC (key characteristics) — CPK-Merkmal / SC (significant characteristics) — DMK-Merkmal / CC (critical characteristics)
--	---

Maße in Millimetern. Fehlende Maße sind die 3D-Modell zu entnehmen.
Dimensions in millimeters. Missing dimensions have been taken from the 3D-CAD-Model.
Sections and details may not show all outlines.

Die Unterscheidung der vorgenannten Maße ist allein technisch bedingt.
Sämtliche Maßangaben sind im Sinne einer Beschaffungsangabe in gleicher Weise verbindlich.
The differentiation of the aforementioned dimensions is only determined by technical items. In the sense of a condition warranty all dimensions are binding in the same manner.

Werkstoff / Messung / Material / dimension	GD-System / cad system	Datum / date	Blatt / sheet
Druckverfahren / Druckverfahren / surface	Weight / weight	18.09.2014	1 von / of 1
Benennung / description	CATIA V5	18.09.2014	Schneid W. / Schneid W.
			1:1/1:2

Empfänger 915MHz Litzenantenne receiver	AFZE-5003
ZF Friedrichshafen AG Electronic Systems Cherrystrasse D-91275 Auerbach/Opf.	