



Chipsmall Limited consists of a professional team with an average of over 10 year of expertise in the distribution of electronic components. Based in Hongkong, we have already established firm and mutual-benefit business relationships with customers from,Europe,America and south Asia,supplying obsolete and hard-to-find components to meet their specific needs.

With the principle of “Quality Parts,Customers Priority,Honest Operation,and Considerate Service”,our business mainly focus on the distribution of electronic components. Line cards we deal with include Microchip,ALPS,ROHM,Xilinx,Pulse,ON,Everlight and Freescale. Main products comprise IC,Modules,Potentiometer,IC Socket,Relay,Connector.Our parts cover such applications as commercial,industrial, and automotives areas.

We are looking forward to setting up business relationship with you and hope to provide you with the best service and solution. Let us make a better world for our industry!



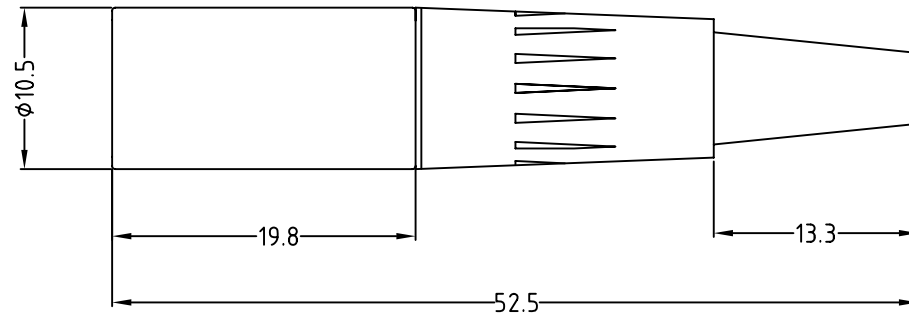
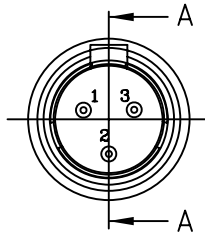
Contact us

Tel: +86-755-8981 8866 Fax: +86-755-8427 6832

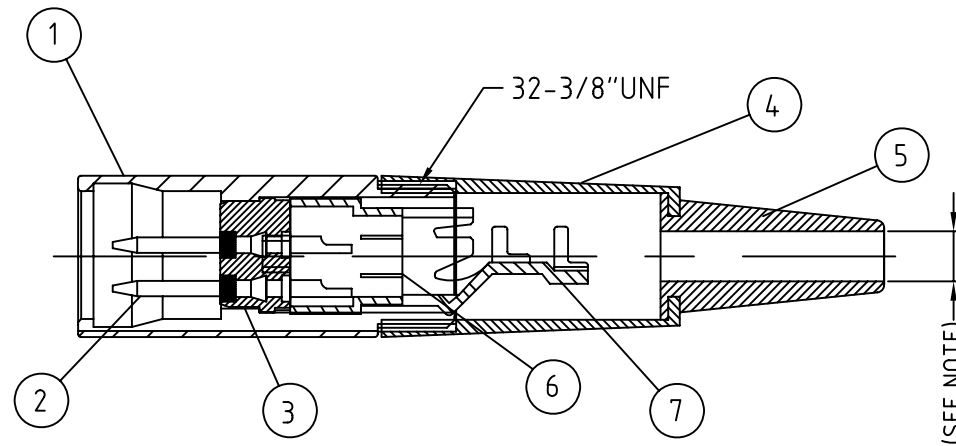
Email & Skype: info@chipsmall.com Web: www.chipsmall.com

Address: A1208, Overseas Decoration Building, #122 Zhenhua RD., Futian, Shenzhen, China





No. CONTACT	PART No.	CABLE ENTRY (mm)
3 POLE	AG3M	3.5 DIAM GROMMET
4 POLE	AG4M	3.5 DIAM GROMMET
5 POLE	AG5M	5 DIAM GROMMET
6 POLE	AG6M	5 DIAM GROMMET



A-A SECTION

NOTE: SEE TABLE FOR STANDARD CABLE ENTRY. CONTACT FACTORY FOR ALTERNATIVE

ITEM	MATERIAL	MATERIAL	ITEM
1	SHELL	BRASS-NICKEL PLATED	1
2	CONTACT	BRASS-GOLD PLATED	VARY
3	INSULATOR	PPS-BLACK	1
4	NUT	ABS-BLACK	1
5	GROMMET	PVC-BLACK	1
6	ADAPTOR	PPS-BLACK	1
7	CABLE CLAMP	BRASS-NICKEL PLATED	1

UNLESS OTHERWISE SPECIFIED TOLERANCE TO BE		THIS DOCUMENT IS THE PROPERTY OF AMPHENOL AUSTRALIA PTY. LTD.. NO PART THEREOF MAY BE REPRODUCED AND USED WITHOUT THE PRIOR WRITTEN CONSENT OF THE OWNER			
LINEAR	ANGULAR	CAD FILE:	DRN:	DATE:	TITLE:
X ± 0.5	X° ± 1°	550105430001101	M.N.H	15-06-07	MINI XLR LINE MALE CUSTOMER DRAWING
X,X ± 0.1	X°X' ± 30'	MATL: SEE NOTES	CKD: M.H.	DATE: 19-01-09	
X,X ± 0.05	X°X'X" ± 15'	DO NOT SCALE	FINISH: SEE NOTES	DATE: 19-01-09	
DIMENSIONS IN MILLIMETRES		SCALE: 2:1	APP'D: M.H.	DATE: 19-01-09	PART No: REFER TO CHART

1	CHANGE PART NUMBER FROM ENGINEERING 55010543-000 TO CATALOGUE AG3M	M.H	19-01-09	----								
0	FIRST ISSUE	M.N.H	15-06-07	----								
REV.	CHANGE DETAILS	BY	DATE	CHG/No								
<table border="1"> <tr> <td colspan="2"> Amphenol Amphenol Australia Pty.Ltd, 2 Freeways Blvd, Keysborough, Vic.3173 </td> <td>DRAWING NO.</td> <td>SHEET</td> </tr> <tr> <td colspan="2"> MINI XLR LINE MALE CUSTOMER DRAWING </td> <td>55010543-000-1</td> <td>1 OF 1</td> </tr> </table>		Amphenol Amphenol Australia Pty.Ltd, 2 Freeways Blvd, Keysborough, Vic.3173		DRAWING NO.	SHEET	MINI XLR LINE MALE CUSTOMER DRAWING		55010543-000-1	1 OF 1			
Amphenol Amphenol Australia Pty.Ltd, 2 Freeways Blvd, Keysborough, Vic.3173		DRAWING NO.	SHEET									
MINI XLR LINE MALE CUSTOMER DRAWING		55010543-000-1	1 OF 1									