



Chipsmall Limited consists of a professional team with an average of over 10 year of expertise in the distribution of electronic components. Based in Hongkong, we have already established firm and mutual-benefit business relationships with customers from,Europe,America and south Asia,supplying obsolete and hard-to-find components to meet their specific needs.

With the principle of “Quality Parts,Customers Priority,Honest Operation,and Considerate Service”,our business mainly focus on the distribution of electronic components. Line cards we deal with include Microchip,ALPS,ROHM,Xilinx,Pulse,ON,Everlight and Freescale. Main products comprise IC,Modules,Potentiometer,IC Socket,Relay,Connector.Our parts cover such applications as commercial,industrial, and automotives areas.

We are looking forward to setting up business relationship with you and hope to provide you with the best service and solution. Let us make a better world for our industry!



Contact us

Tel: +86-755-8981 8866 Fax: +86-755-8427 6832

Email & Skype: info@chipsmall.com Web: www.chipsmall.com

Address: A1208, Overseas Decoration Building, #122 Zhenhua RD., Futian, Shenzhen, China



PART NAME	CLASSIC II CABINET	PART No.	AGC-9268 THRU AGC-9280	REV. DATE	5-31-12
-----------	--------------------	----------	------------------------	-----------	---------

MATERIAL:

CABINET FRAME & MOUNTING RAIL EXTRUSIONS _____ #6063-T5 ALUMINUM ALLOY
 TOP, BOTTOM & SIDE PANELS _____ 0.050 THK. ALUMINUM
 HANDLE CHANNELS & CHASSIS SUPPORTS _____ 16 GA. STEEL
 HANDLES _____ MOLDED ABS

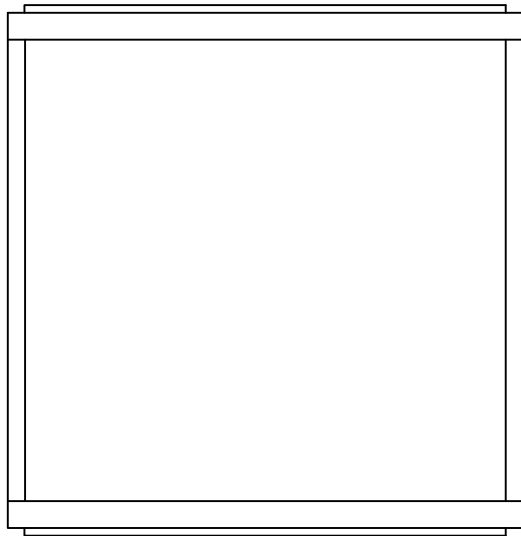
FINISH:

CABINET & HANDLE CHANNELS _____ ROYAL BLUE TEXTURE
 OR GRAY TEXTURE
 CHASSIS SUPPORTS _____ SMOOTH BLACK
 HANDLES - BLACK

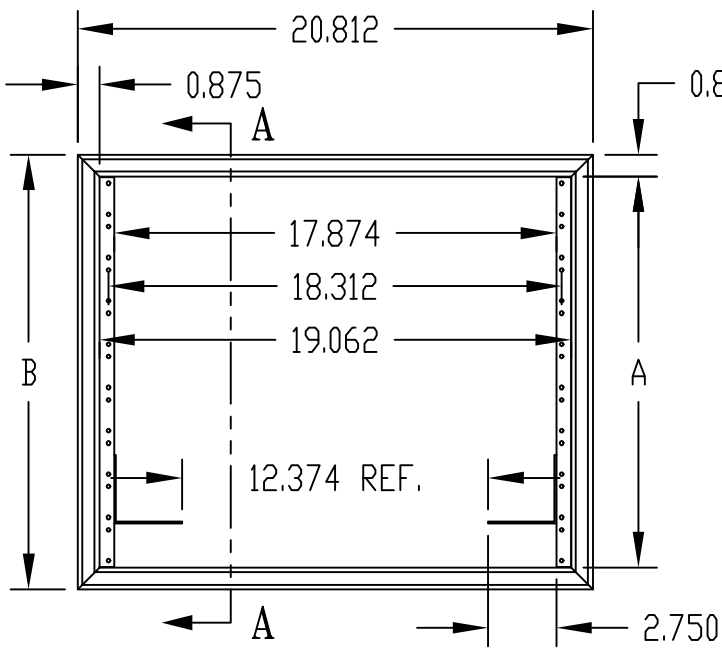
LEADING EDGES OF CABINET FRONT TO BE NATURAL

MOUNTING RAILS TAPPED #10-32 ON WESTERN ELECTRIC HOLE SPACING

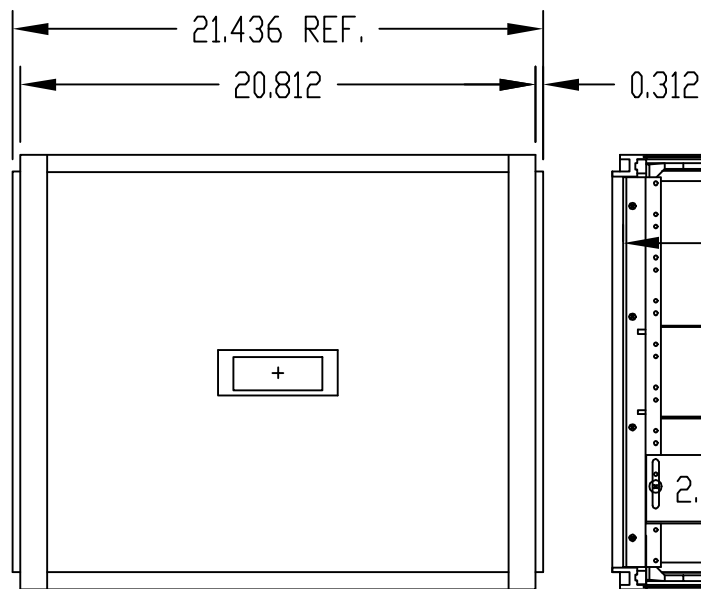
LOAD RATING: 500 LBS. MAX.



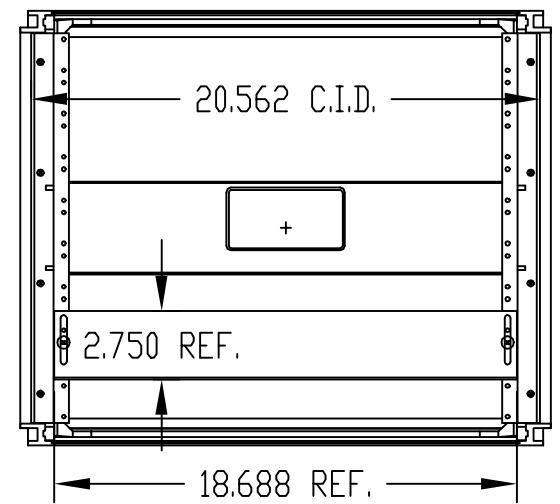
TOP VIEW



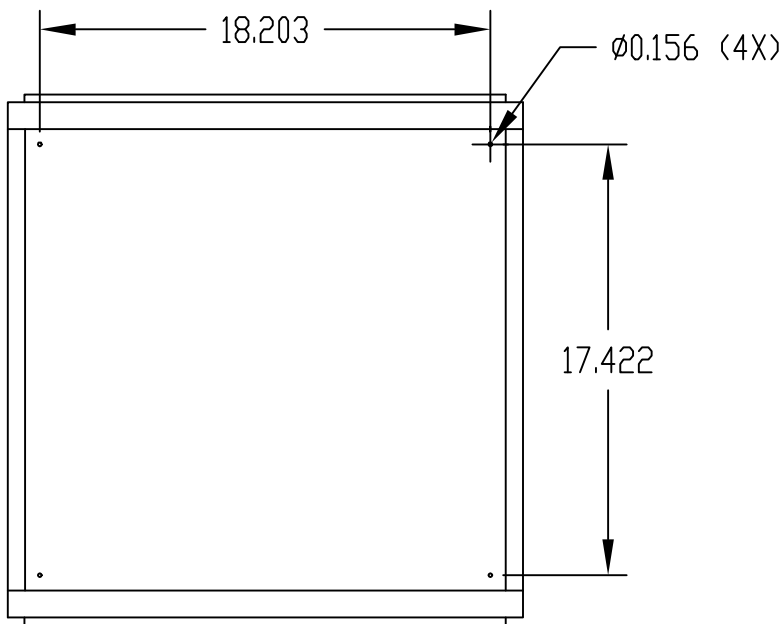
FRONT VIEW



RIGHT SIDE VIEW



SECTION "A-A"



BOTTOM VIEW

PART No.	A (PANEL SPACE)	B
AGC-9268	7.000	8.812
AGC-9269	8.750	10.562
AGC-9270	10.500	12.312
AGC-9271	12.250	14.062
AGC-9272	14.000	15.812
AGC-9273	15.750	17.562
AGC-9274	17.500	19.312
AGC-9275	19.250	21.062
AGC-9276	21.000	22.812
AGC-9277	22.750	24.562
AGC-9278	24.500	26.312
AGC-9279	26.250	28.062
AGC-9280	28.000	29.812