



Chipsmall Limited consists of a professional team with an average of over 10 year of expertise in the distribution of electronic components. Based in Hongkong, we have already established firm and mutual-benefit business relationships with customers from,Europe,America and south Asia,supplying obsolete and hard-to-find components to meet their specific needs.

With the principle of "Quality Parts,Customers Priority,Honest Operation,and Considerate Service",our business mainly focus on the distribution of electronic components. Line cards we deal with include Microchip,ALPS,ROHM,Xilinx,Pulse,ON,Everlight and Freescale. Main products comprise IC,Modules,Potentiometer,IC Socket,Relay,Connector.Our parts cover such applications as commercial,industrial, and automotives areas.

We are looking forward to setting up business relationship with you and hope to provide you with the best service and solution. Let us make a better world for our industry!



Contact us

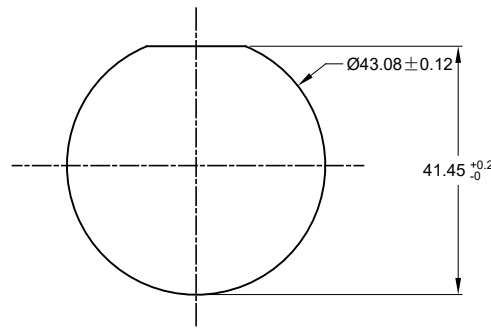
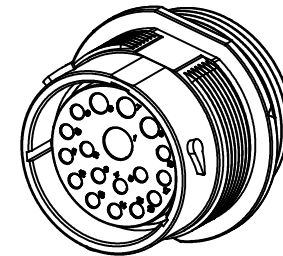
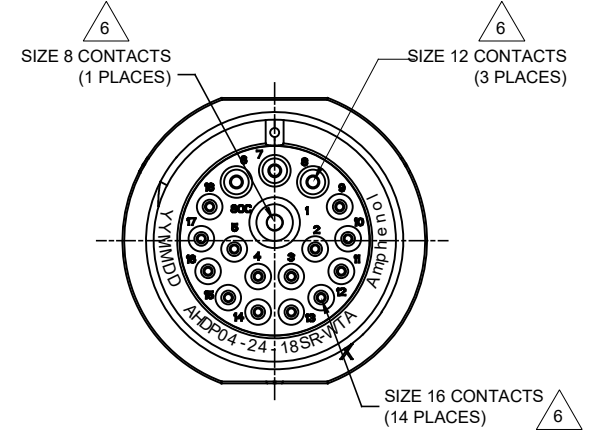
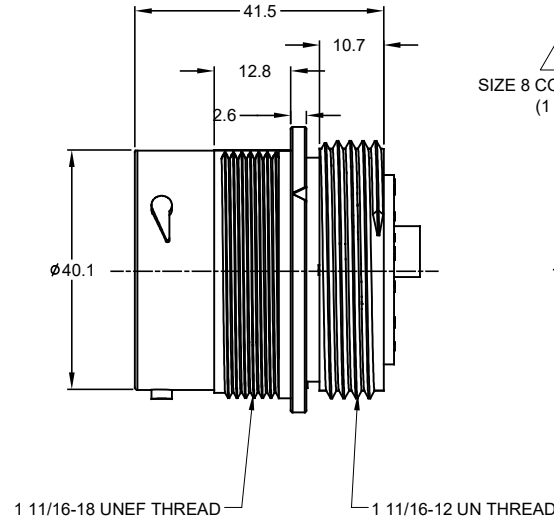
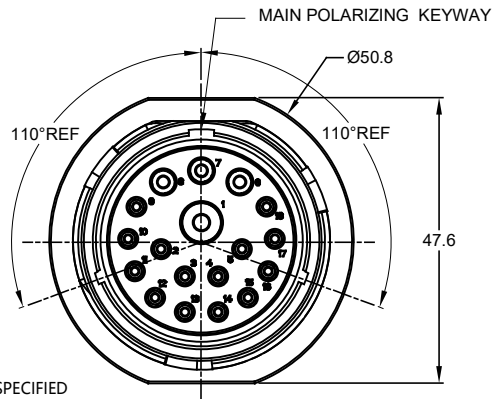
Tel: +86-755-8981 8866 Fax: +86-755-8427 6832

Email & Skype: info@chipsmall.com Web: www.chipsmall.com

Address: A1208, Overseas Decoration Building, #122 Zhenhua RD., Futian, Shenzhen, China



REVISIONS					
REV	ECO	DESCRIPTION	DATE	BY	APPR
A1	--	RELEASE NEW DRAWING	28MAY17	RIMON	TOMMY



RECOMMENDED PANEL MOUNTING HOLE
RECOMMENDED PANEL THICKNESS: 1.6 TO 4.7MM

NOTES: UNLESS OTHERWISE SPECIFIED

- MATERIAL:
HOUSING: THERMOPLASTIC; BLACK
SEAL: SILICONE RUBBER
- MODIFICATIONS: THREADED ADAPTER;
REDUCED DIA. WIRE SEAL
- SPECIFICATIONS:
 - OPERATING TEMPERATURE: -55°C ~ +125°C.
 - DIELECTRIC WITHSTANDING VOLTAGE: LESS THAN 2 MILLIAMPS CURRENT LEAKAGE @ 1500 VOLTS AC.
 - INSULATION RESISTANCE: 1000 MEGOHM MIN @ 25°C.
 - MOISTURE RESISTANCE: IP67&IP69K (MATED CONDITION).
 - MATING CYCLE DURABILITY: 100 CYCLES
 - RoHS COMPLIANT
- MATING PART: AHDP06-24-18P* (* = SEAL TYPE)
- ALL DIMENSIONS ARE FOR REFERENCE USE ONLY.

CONTACT SIZE AND WIRE RANGE:

CONTACT SIZE	MIN. INSUL O.D.	MAX. INSUL O.D.	TYPICAL WIRE RANGE	CURRENT RATING
08	3.43 mm (.135in)	5.59 mm (.220 in)	8-10 AWG	60 AMPS
12	2.46 mm (.097 in)	4.01 mm (.158 in)	10-14 AWG	25 AMPS
16	1.35 mm (.053in)	3.05 mm (.120 in)	14-20 AWG	13 AMPS

AHDP04-24-18SR-WTA		PART NUMBER		DESCRIPTION		ITEM																																																																																																																	
<table border="1"> <thead> <tr> <th>QUANTITY</th> <th colspan="6">MATERIALS LIST</th> </tr> </thead> <tbody> <tr> <td colspan="7">UNLESS OTHERWISE SPECIFIED:</td> </tr> <tr> <td colspan="7">1) All dimensions are in metric(mm).</td> </tr> <tr> <td colspan="7">2) Tolerances are as follows:</td> </tr> <tr> <td colspan="7">1 PL DEC ±0.30 Fractions ±1/64</td> </tr> <tr> <td colspan="7">2 PL DEC ±0.15 Angles ±1°</td> </tr> <tr> <td colspan="7">3 PL DEC ±0.08</td> </tr> <tr> <td colspan="7">3) Note reference = </td> </tr> <tr> <td colspan="2">MATERIAL SPECIFICATIONS:</td> <td colspan="2">SIGNATURES</td> <td colspan="2">DATE</td> <td rowspan="4"> Sine Systems - www.amphenol-sine.com 44724 Morley Drive Clinton Township, MI 48036 RECEPTACLE, 24-18 POS, SOCKET CONTACT REDUCED DIA. SEAL, AHDP SERIES </td> </tr> <tr> <td colspan="2">PROCESS SPECIFICATIONS:</td> <td colspan="2">DRAWN: RIMON, MA</td> <td colspan="2">09MAY17</td> </tr> <tr> <td colspan="2">NEXT ASSY:</td> <td colspan="2">CHECKED: ORION LI</td> <td colspan="2">09MAY17</td> </tr> <tr> <td colspan="2"></td> <td colspan="2">ENGINEER:</td> <td colspan="2"></td> </tr> <tr> <td colspan="2"></td> <td colspan="2">APPROVAL: TOMMY XIE</td> <td colspan="2">09MAY17</td> <td rowspan="3"> <table border="1"> <tr> <td>SIZE</td> <td>TYPE</td> <td>DWG NO.</td> <td>REVISION</td> </tr> <tr> <td>B</td> <td>C-</td> <td>AHDP04-24-18SR-WTA</td> <td>A1</td> </tr> <tr> <td>SCALE</td> <td colspan="2">NONE</td> <td>SHEET 1 OF 1</td> </tr> </table> </td> </tr> <tr> <td colspan="2"></td> <td colspan="2">CUSTOMER:</td> <td colspan="2"></td> </tr> <tr> <td colspan="7">THIS DRAWING IS SUPPLIED FOR INFORMATION ONLY. DESIGN FEATURES, SPECIFICATIONS AND PERFORMANCE DATA SHOWN HEREON ARE THE PROPERTY OF THE AMPHENOL CORPORATION. NO RIGHTS OF REPRODUCTION ARE IMPLIED. ALL DIMENSIONS ARE SUBJECT TO NORMAL MANUFACTURING VARIATIONS.</td> </tr> </tbody> </table>							QUANTITY	MATERIALS LIST						UNLESS OTHERWISE SPECIFIED:							1) All dimensions are in metric(mm).							2) Tolerances are as follows:							1 PL DEC ±0.30 Fractions ±1/64							2 PL DEC ±0.15 Angles ±1°							3 PL DEC ±0.08							3) Note reference =							MATERIAL SPECIFICATIONS:		SIGNATURES		DATE		 Sine Systems - www.amphenol-sine.com 44724 Morley Drive Clinton Township, MI 48036 RECEPTACLE, 24-18 POS, SOCKET CONTACT REDUCED DIA. SEAL, AHDP SERIES	PROCESS SPECIFICATIONS:		DRAWN: RIMON, MA		09MAY17		NEXT ASSY:		CHECKED: ORION LI		09MAY17				ENGINEER:						APPROVAL: TOMMY XIE		09MAY17		<table border="1"> <tr> <td>SIZE</td> <td>TYPE</td> <td>DWG NO.</td> <td>REVISION</td> </tr> <tr> <td>B</td> <td>C-</td> <td>AHDP04-24-18SR-WTA</td> <td>A1</td> </tr> <tr> <td>SCALE</td> <td colspan="2">NONE</td> <td>SHEET 1 OF 1</td> </tr> </table>	SIZE	TYPE	DWG NO.	REVISION	B	C-	AHDP04-24-18SR-WTA	A1	SCALE	NONE		SHEET 1 OF 1			CUSTOMER:				THIS DRAWING IS SUPPLIED FOR INFORMATION ONLY. DESIGN FEATURES, SPECIFICATIONS AND PERFORMANCE DATA SHOWN HEREON ARE THE PROPERTY OF THE AMPHENOL CORPORATION. NO RIGHTS OF REPRODUCTION ARE IMPLIED. ALL DIMENSIONS ARE SUBJECT TO NORMAL MANUFACTURING VARIATIONS.						
QUANTITY	MATERIALS LIST																																																																																																																						
UNLESS OTHERWISE SPECIFIED:																																																																																																																							
1) All dimensions are in metric(mm).																																																																																																																							
2) Tolerances are as follows:																																																																																																																							
1 PL DEC ±0.30 Fractions ±1/64																																																																																																																							
2 PL DEC ±0.15 Angles ±1°																																																																																																																							
3 PL DEC ±0.08																																																																																																																							
3) Note reference =																																																																																																																							
MATERIAL SPECIFICATIONS:		SIGNATURES		DATE		 Sine Systems - www.amphenol-sine.com 44724 Morley Drive Clinton Township, MI 48036 RECEPTACLE, 24-18 POS, SOCKET CONTACT REDUCED DIA. SEAL, AHDP SERIES																																																																																																																	
PROCESS SPECIFICATIONS:		DRAWN: RIMON, MA		09MAY17																																																																																																																			
NEXT ASSY:		CHECKED: ORION LI		09MAY17																																																																																																																			
		ENGINEER:																																																																																																																					
		APPROVAL: TOMMY XIE		09MAY17		<table border="1"> <tr> <td>SIZE</td> <td>TYPE</td> <td>DWG NO.</td> <td>REVISION</td> </tr> <tr> <td>B</td> <td>C-</td> <td>AHDP04-24-18SR-WTA</td> <td>A1</td> </tr> <tr> <td>SCALE</td> <td colspan="2">NONE</td> <td>SHEET 1 OF 1</td> </tr> </table>	SIZE	TYPE	DWG NO.	REVISION	B	C-	AHDP04-24-18SR-WTA	A1	SCALE	NONE		SHEET 1 OF 1																																																																																																					
SIZE	TYPE	DWG NO.	REVISION																																																																																																																				
B	C-	AHDP04-24-18SR-WTA	A1																																																																																																																				
SCALE	NONE		SHEET 1 OF 1																																																																																																																				
		CUSTOMER:																																																																																																																					
THIS DRAWING IS SUPPLIED FOR INFORMATION ONLY. DESIGN FEATURES, SPECIFICATIONS AND PERFORMANCE DATA SHOWN HEREON ARE THE PROPERTY OF THE AMPHENOL CORPORATION. NO RIGHTS OF REPRODUCTION ARE IMPLIED. ALL DIMENSIONS ARE SUBJECT TO NORMAL MANUFACTURING VARIATIONS.																																																																																																																							

TITLE: RECEPTACLE, 24-18 POS, SOCKET CONTACT REDUCED DIA. SEAL, AHDP
DWG NO: AHDP04-24-18SR-WTA
REV: A1
SH: 1
OF: 1