



Chipsmall Limited consists of a professional team with an average of over 10 year of expertise in the distribution of electronic components. Based in Hongkong, we have already established firm and mutual-benefit business relationships with customers from,Europe,America and south Asia,supplying obsolete and hard-to-find components to meet their specific needs.

With the principle of "Quality Parts,Customers Priority,Honest Operation,and Considerate Service",our business mainly focus on the distribution of electronic components. Line cards we deal with include Microchip,ALPS,ROHM,Xilinx,Pulse,ON,Everlight and Freescale. Main products comprise IC,Modules,Potentiometer,IC Socket,Relay,Connector.Our parts cover such applications as commercial,industrial, and automotives areas.

We are looking forward to setting up business relationship with you and hope to provide you with the best service and solution. Let us make a better world for our industry!



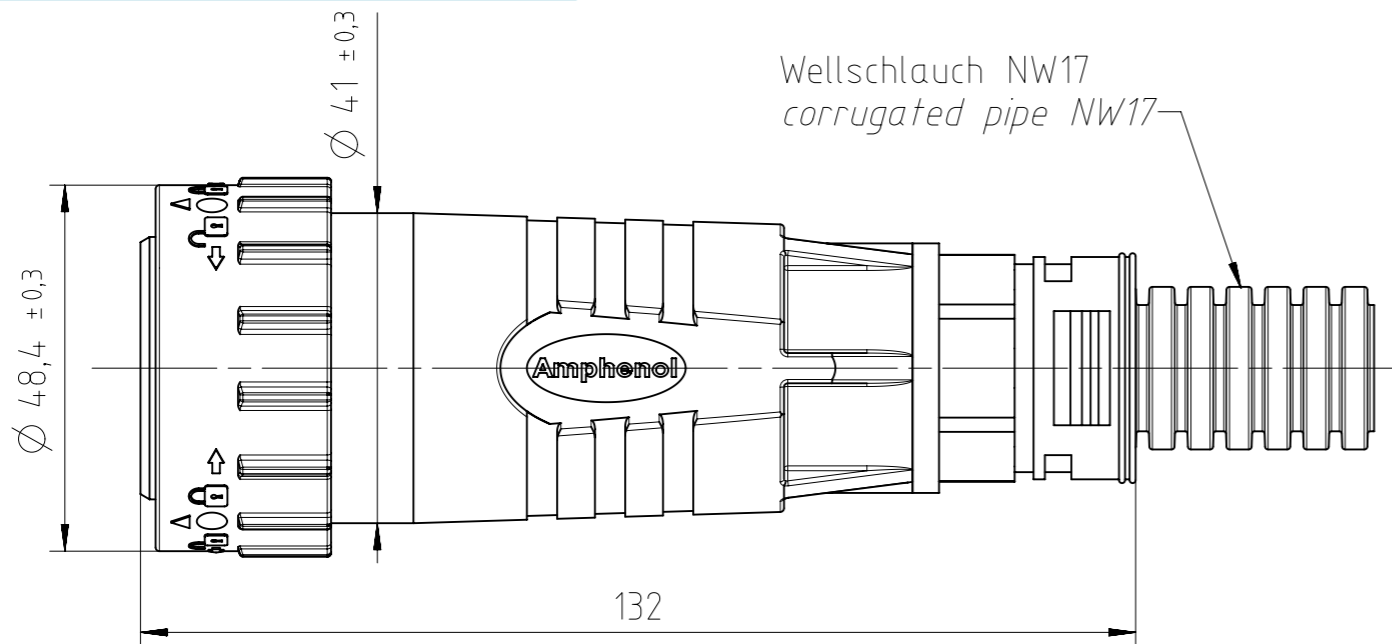
## Contact us

Tel: +86-755-8981 8866 Fax: +86-755-8427 6832

Email & Skype: info@chipsmall.com Web: www.chipsmall.com

Address: A1208, Overseas Decoration Building, #122 Zhenhua RD., Futian, Shenzhen, China





Kontakte lose / am Band in Beutel beigelegt  
contacts attached separately / on strip in poly bag

Stecker nach ISO 11783-2  
connector acc. to ISO 11783-2

Version frei konfektionierbar mit Wellschlauchadapter  
(Wellschlauch wird nicht mitgeliefert)  
version free assembly with corrugated pipe adapter  
(corrugated pipe not included)

Kontakte bitte separat bestellen / Please order contacts separately:

- Size 8: 6mm<sup>2</sup> - VN 02 036 0026 6
- 10mm<sup>2</sup> - VN 02 036 0027 6
- 16mm<sup>2</sup> - VN 02 036 0028 6
- Size 12: 2,5mm<sup>2</sup> - AT62-12-0122 (nickel plated) / AT62-12-0144 (gold plated)
- Size 16: 0,5mm<sup>2</sup> - AT62-16-0822 (nickel plated) / AT62-16-0844 (gold plated)

Weitere Kontakte auf Anfrage / other contacts on request

Crimpausrüstung siehe Montageanleitung

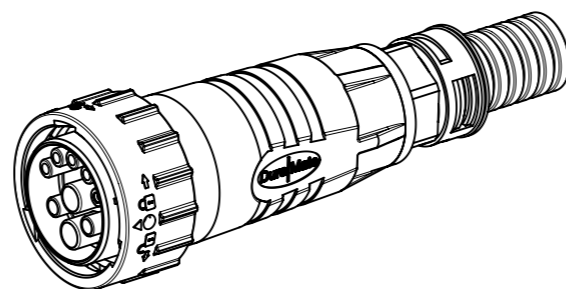
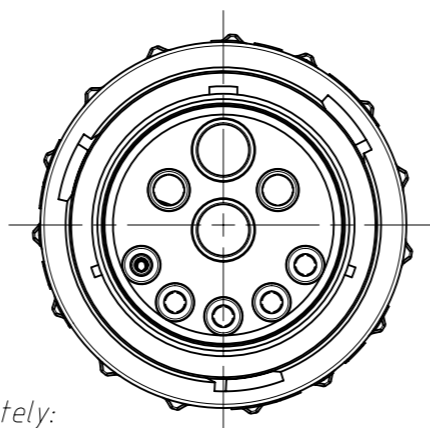
- N 22 000 0028 (6mm<sup>2</sup>)
  - N 22 000 0029 (10mm<sup>2</sup>)
  - N 22 000 0030 (16mm<sup>2</sup>)
- equipment for crimping according to assembly instruction
- N 22 000 0028 (6mm<sup>2</sup>)
  - N 22 000 0029 (10mm<sup>2</sup>)
  - N 22 000 0030 (16mm<sup>2</sup>)

Alle technischen Daten wurden unter Laborbedingungen ermittelt und können im Praxisbetrieb abweichen.

Es handelt sich bei den Angaben weder um Beschaffenheits- noch um Haltbarkeitsgarantien.

All technical data have been measured in a laboratory environment and can be different during practical usage of the product.

Any product information is for descriptive usage only and not legally binding particularly the information does not constitute or provide any legal guarantees ("Beschaffenheitsgarantie" or "Haltbarkeitsgarantie").



Polzahl number of contacts	2+2+4+1
Kontakte contacts	2x Size 8 2x Size 12 4x Size 16 1x Size 16 überbrückt / bridged
Bemessungsspannung (DIN EN 60664-1) Rated voltage (DIN EN 60664-1)	24VDC
Strombelastbarkeit bei +40°C (alle Kontakte belastet) Current carrying capacity at 40°C (all contacts under load)	2x50A (10mm <sup>2</sup> ) 2x15A (2,5mm <sup>2</sup> ) 4x5A (0,5mm <sup>2</sup> )
Max. Strombelastbarkeit (EIA-364-112) max. current carrying capacity (EIA-364-112)	2x60A 2x25A 4x13A
Verschmutzungsgrad Pollution degree	3
Temperaturbereich Temperature range	-40°C bis -125°C -40°F up to +257°F
Schutzgrad protection class	IP67 / IP6K9K (gesteckt) IP67 / IP6K9K (mated)
Mechanische Lebensdauer Mechanical operations	≥100 Steckzyklen ≥100 mating cycles
Werkstoff Dichtungen material gaskets	NBR, Silikon NBR, silicone
Werkstoff Gehäuse material housing	Polyamid schwarz, UL94V-0 polyamide black, UL94V-0
Werkstoff Kontaktträger material housing	Polyamid schwarz, UL94V-0 polyamide black, UL94V-0
Werkstoff Wellschlauchadapter material corrugated pipe adapter	Polyamid schwarz, UL94V-0 polyamide black, UL94V-0
Werkstoff Kontakte + Oberfläche material contacts + surface	Kupferlegierung, vernickelt copper alloy, nickel plated
Verriegelung locking	Bajonett Bayonet

Gewicht (errechnet) / Calc WT:		Zul. Abw./Tolerances:		Maßstab / Scale: 1:1		A3			
Prüfmaß / Testdimension		ISO 2768-c		DIN / ISO 13715		CUSTOMER DRAWING			
Teileindex / Partindexnumber:									
Bagatelle change:		Gez. 21.04.2017		Released		Kabeldose female cable connector			
		Drawn RSCHAEDEL		MGRIMM					
		Status Released				M AHDP06-24-91S-BS2			
		Gepr. 13.04.2017							
		Checked MGRIMM				Blatt / Sheet 1 1 Bl.			
01 201500766		21.04.2017		RSCHAEDEL		Ers. f. / Replacement for:			
Index		Änderung / Description		Datum / Date					

Copying of this document and giving it to others and the use or communication of the contents thereof, are forbidden without express authority. Offenders are liable to the payment of damages. All rights are reserved in the event of the grant of a patent or the registration of the utility model or design.

Weitergabe sowie Vervielfältigung dieser Unterlage, Verwertung und Mitteilung ihres Inhalts nicht gestattet, soweit nicht ausdrücklich zugestanden. Zuwiderhandlungen verpflichten zu Schadenersatz. Alle Rechte für den Fall der Patenterteilung oder Gebrauchsmuster-Eintragung vorbehalten.

NXM-V01