



Chipsmall Limited consists of a professional team with an average of over 10 year of expertise in the distribution of electronic components. Based in Hongkong, we have already established firm and mutual-benefit business relationships with customers from,Europe,America and south Asia,supplying obsolete and hard-to-find components to meet their specific needs.

With the principle of "Quality Parts,Customers Priority,Honest Operation,and Considerate Service",our business mainly focus on the distribution of electronic components. Line cards we deal with include Microchip,ALPS,ROHM,Xilinx,Pulse,ON,Everlight and Freescale. Main products comprise IC,Modules,Potentiometer,IC Socket,Relay,Connector.Our parts cover such applications as commercial,industrial, and automotives areas.

We are looking forward to setting up business relationship with you and hope to provide you with the best service and solution. Let us make a better world for our industry!



## Contact us

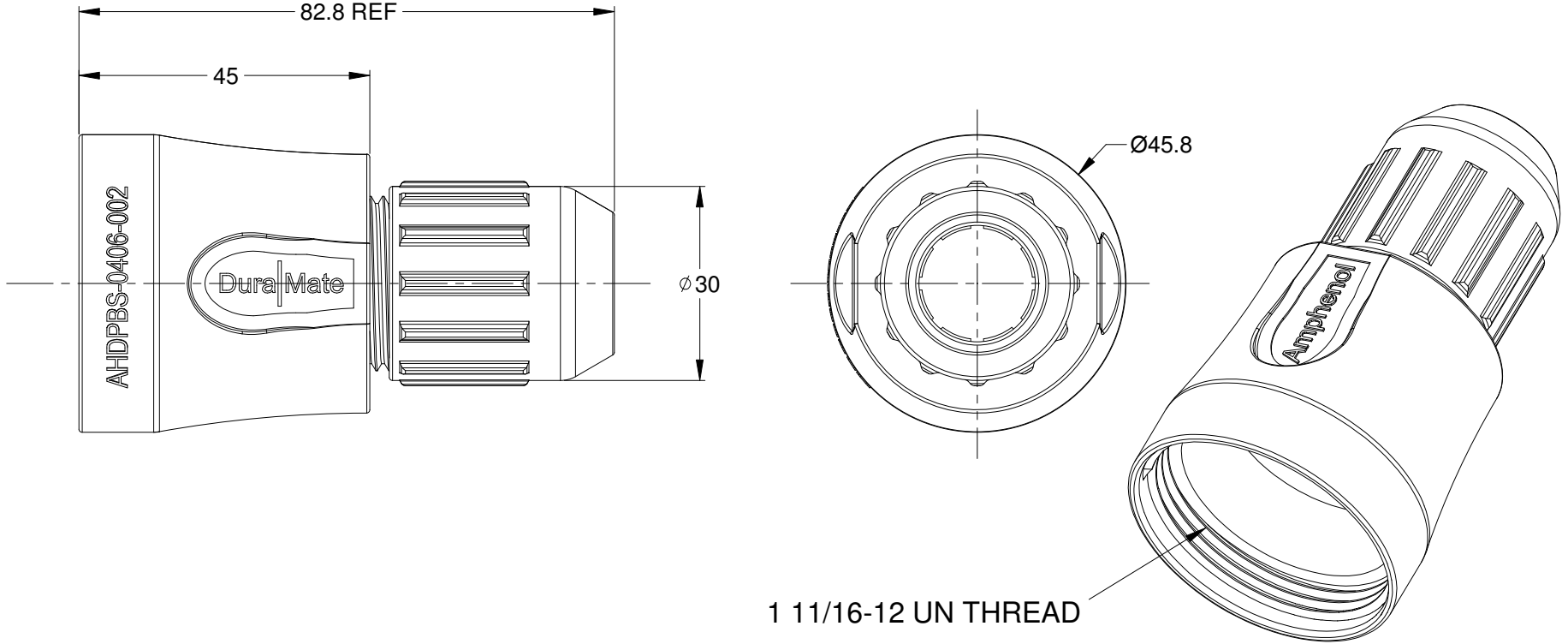
Tel: +86-755-8981 8866 Fax: +86-755-8427 6832

Email & Skype: info@chipsmall.com Web: www.chipsmall.com

Address: A1208, Overseas Decoration Building, #122 Zhenhua RD., Futian, Shenzhen, China



REVISIONS					
REV	ECO	DESCRIPTION	DATE	BY	APPR
A1		RELEASE NEW PRODUCT	16JUN15	ORION	TOMMY
A2		ADD PART NUMBER ON BACKSHELL	07NOV15	ORION	TOMMY



NOTES: UNLESS OTHERWISE SPECIFIED

- 1. MATERIAL: THERMOPLASTIC
- 2. COLORS: BLACK
- 3. RoHS COMPLIANT
- 4. USE WITH AHDP SERIES WTA MODIFICATION
- 5. CABLE SIZE:  $\phi 14.5 \sim \phi 18.0$
- 6. ALL DIMENSIONS ARE FOR REFERENCE USE ONLY.

AHDPBS-0406-002					
PART NUMBER		DESCRIPTION		ITEM	
QUANTITY	MATERIALS LIST				
UNLESS OTHERWISE SPECIFIED		SIGNATURES		DATE	
1) All dimensions are in metric(mm).		DRAWN: ORION.LI		16JUN15	
2) Tolerances are as follows:		CHECKED:			
1 PL DEC $\pm 0.30$		ENGINEER:			
2 PL DEC $\pm 0.15$		APPROVAL: TOMMY.XIE		16JUN15	
3 PL DEC $\pm 0.08$		CUSTOMER:			
Fractions $\pm 1/64$		THIS DRAWING IS SUPPLIED FOR INFORMATION ONLY. DESIGN FEATURES, SPECIFICATIONS AND PERFORMANCE DATA SHOWN HEREON ARE THE PROPERTY OF THE AMPHENOL CORPORATION. NO RIGHTS OF REPRODUCTION ARE IMPLIED. ALL DIMENSIONS ARE SUBJECT TO NORMAL MANUFACTURING VARIATIONS.		SIZE	
Angles $\pm 1^\circ$		NEXT ASS'Y:		TYPE	
3) Note reference = $\triangle X$				AC-	
MATERIAL SPECIFICATIONS:				DWG NO:	
PROCESS SPECIFICATIONS:				AHDPBS-0406-002	
				REVISION	
				A2	
				SCALE: NONE	
				SHEET 1 OF 1	

**Amphenol**

Sine Systems - www.amphenol-sine.com  
44724 Morley Drive  
Clinton Township, MI 48036

BACKSEHELL, AHDP SERIES, SIZE 24,WTA