



Chipsmall Limited consists of a professional team with an average of over 10 year of expertise in the distribution of electronic components. Based in Hongkong, we have already established firm and mutual-benefit business relationships with customers from,Europe,America and south Asia,supplying obsolete and hard-to-find components to meet their specific needs.

With the principle of “Quality Parts,Customers Priority,Honest Operation,and Considerate Service”,our business mainly focus on the distribution of electronic components. Line cards we deal with include Microchip,ALPS,ROHM,Xilinx,Pulse,ON,Everlight and Freescale. Main products comprise IC,Modules,Potentiometer,IC Socket,Relay,Connector.Our parts cover such applications as commercial,industrial, and automotives areas.

We are looking forward to setting up business relationship with you and hope to provide you with the best service and solution. Let us make a better world for our industry!



## Contact us

Tel: +86-755-8981 8866 Fax: +86-755-8427 6832

Email & Skype: info@chipsmall.com Web: www.chipsmall.com

Address: A1208, Overseas Decoration Building, #122 Zhenhua RD., Futian, Shenzhen, China





# HN (AHN) RELAY ACCESSORIES

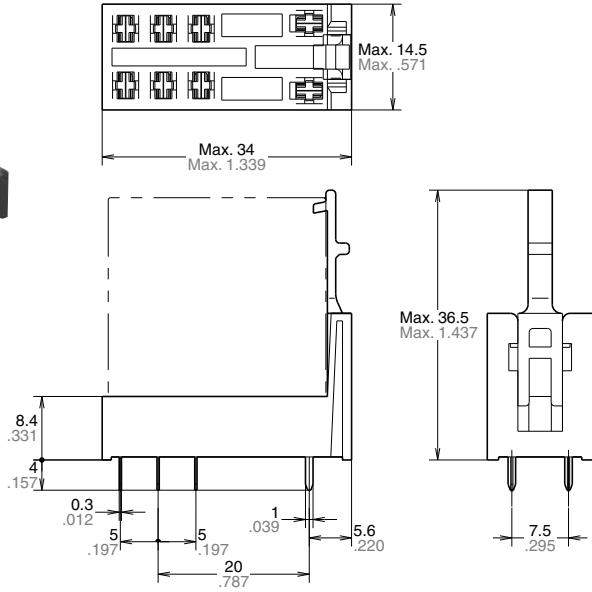
## 2. HN2 PC board terminal socket

(AHNA23)

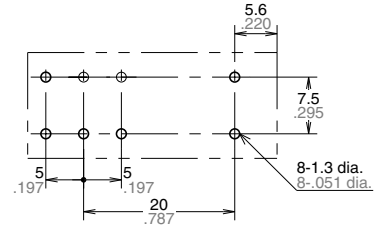
**CAD Data**



External dimensions



PC board pattern (Bottom view)



Tolerance:  $\pm 0.1 \pm 0.04$

**Dimension:**

Less than 1mm .039inch:

Min. 1mm .039inch less than 3mm .118 inch:  $\pm 0.2 \pm 0.08$

Min. 3mm .118 inch:  $\pm 0.3 \pm 0.12$

**Tolerance**

$\pm 0.1 \pm 0.04$

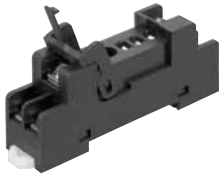
$\pm 0.2 \pm 0.08$

$\pm 0.3 \pm 0.12$

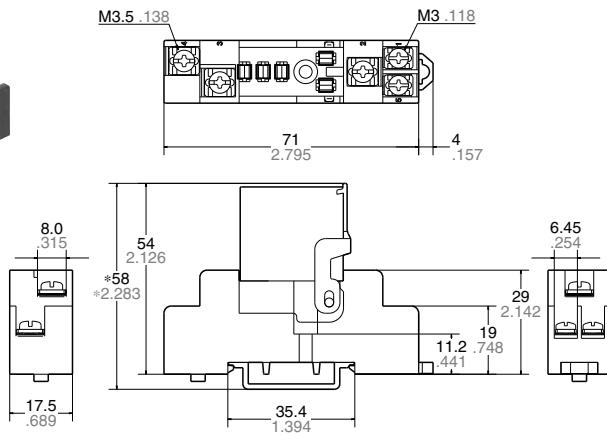
## 3. HN1 Screw terminal socket

(AHNA11)

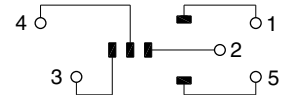
**CAD Data**



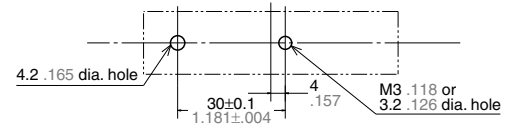
External dimensions



Schematic (Top view)



Mounting hole dimensions



Tolerance:  $\pm 0.5 \pm 0.020$

\* Reference in case of using DIN rail (ATA48011)

Notes: 1. In order to prevent breakage and disfiguring, the screw tightening torque for the terminal socket should be within the range of 0.5 to 0.8 N·m.

2. When attaching the terminal socket directly to a chassis, please use the metric coarse thread screw M3 × 16.

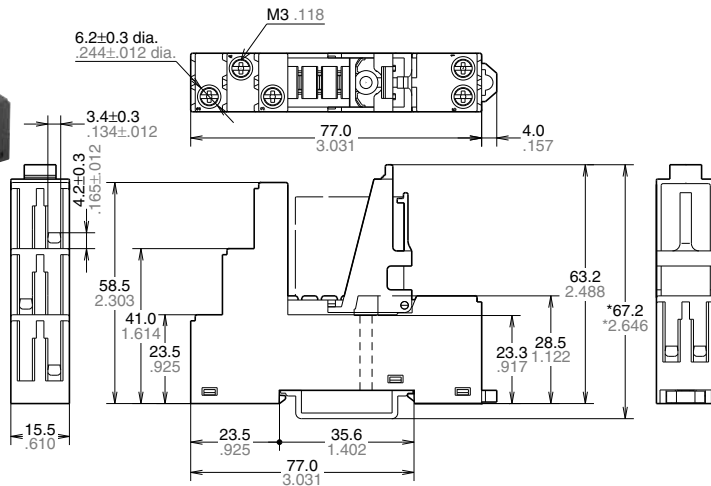
## 4. HN1 Screw terminal socket (Finger protect type)

(AHNA11P)

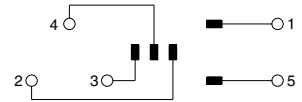
**CAD Data**



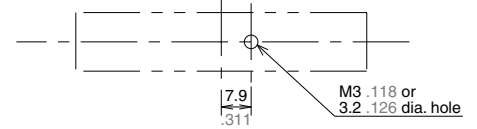
External dimensions



Schematic (Top view)



Mounting hole dimensions



Tolerance:  $\pm 0.5 \pm .020$

\* Reference in case of using DIN rail (ATA48011)

- Notes: 1. In order to prevent breakage and disfiguring, the screw tightening torque for the terminal socket should be within the range of 0.5 to 0.8 N·m.  
 2. When attaching the terminal socket directly to a chassis, please use the metric coarse thread screw M3 × 30.  
 3. Use rod or plate terminals, etc. (You cannot use Y-shape or round terminals.)

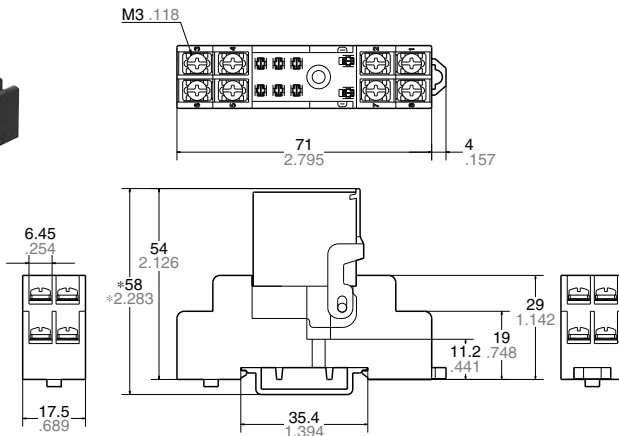
## 5. HN2 Screw terminal socket

(AHNA21)

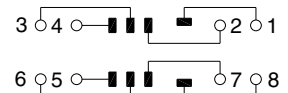
**CAD Data**



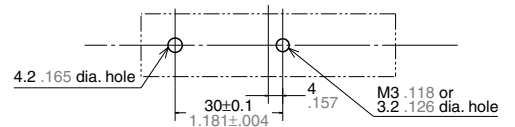
External dimensions



Schematic (Top view)



Mounting hole dimensions



Tolerance:  $\pm 0.5 \pm .020$

\* Reference in case of using DIN rail (ATA48011)

- Notes: 1. In order to prevent breakage and disfiguring, the screw tightening torque for the terminal socket should be within the range of 0.5 to 0.8 N·m.  
 2. When attaching the terminal socket directly to a chassis, please use the metric coarse thread screw M3 × 16.

# HN (AHN) RELAY ACCESSORIES

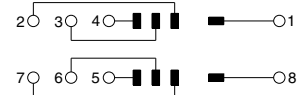
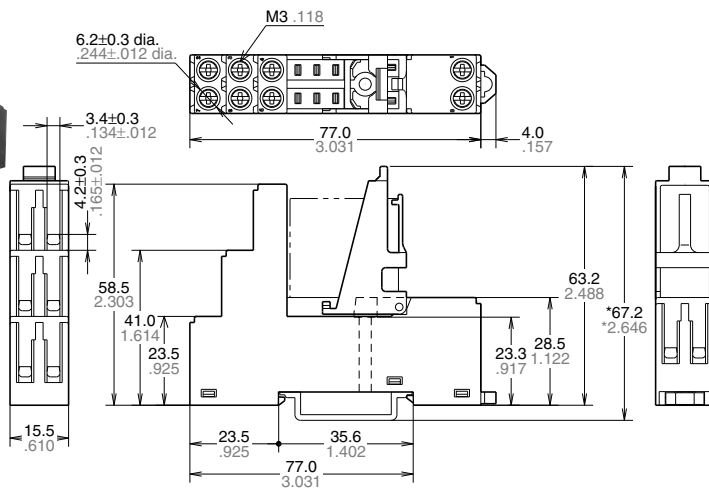
## 6. HN2 Screw terminal socket (Finger protect type)

(AHNA21P)

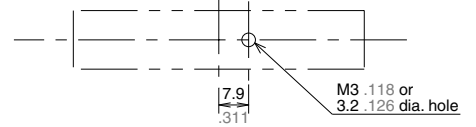
**CAD Data**

External dimensions

Schematic (Top view)



Mounting hole dimensions



Tolerance:  $\pm 0.5 \pm 0.020$

\* Reference in case of using DIN rail (ATA48011)

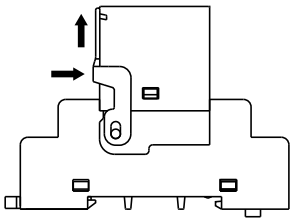
- Notes: 1. In order to prevent breakage and disfiguring, the screw tightening torque for the terminal socket should be within the range of 0.5 to 0.8 N-m.  
 2. When attaching the terminal socket directly to a chassis, please use the metric coarse thread screw M3 × 30.  
 3. Use rod or plate terminals, etc. (You cannot use Y-shape or round terminals.)

## NOTES

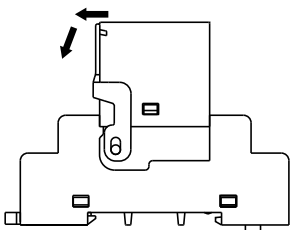
### About the relay-securing hook

#### • Screw terminal socket

1) Installation of the securing hook is easily performed by pressing upward in the direction of the arrows.

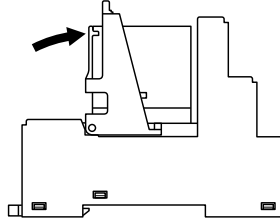


2) Removal of the securing hook is easily performed by releasing the hook and pressing down, as shown in the figure.

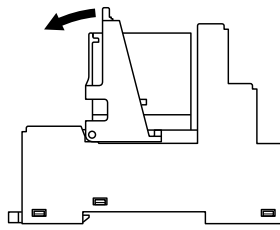


#### • Screw terminal socket (Finger protect type)

1) Install the securing hook by pressing the parts with arrows after inserting the relay.

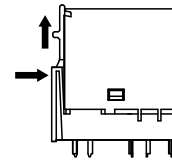


2) Removal of the relay is easily performed by pressing the parts with arrows.

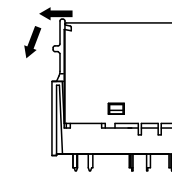


#### • PC board terminal socket

1) Installation of the securing hook is easily performed by pressing upward in the direction of the arrows.



2) Removal of the securing hook is easily performed by releasing the hook and pressing down, as shown in the figure.



\* To prevent damage and deformity, please use the relay-securing hook at 10 N or less.