



Chipsmall Limited consists of a professional team with an average of over 10 year of expertise in the distribution of electronic components. Based in Hongkong, we have already established firm and mutual-benefit business relationships with customers from,Europe,America and south Asia,supplying obsolete and hard-to-find components to meet their specific needs.

With the principle of “Quality Parts,Customers Priority,Honest Operation,and Considerate Service”,our business mainly focus on the distribution of electronic components. Line cards we deal with include Microchip,ALPS,ROHM,Xilinx,Pulse,ON,Everlight and Freescale. Main products comprise IC,Modules,Potentiometer,IC Socket,Relay,Connector.Our parts cover such applications as commercial,industrial, and automotives areas.

We are looking forward to setting up business relationship with you and hope to provide you with the best service and solution. Let us make a better world for our industry!



## Contact us

Tel: +86-755-8981 8866 Fax: +86-755-8427 6832

Email & Skype: info@chipsmall.com Web: www.chipsmall.com

Address: A1208, Overseas Decoration Building, #122 Zhenhua RD., Futian, Shenzhen, China



# Epoxy Coated Power Inductor

AIAP-01



RoHS/RoHS II Compliant



9.14 x  $\phi$ 3.3mm

## FEATURES:

- Low cost axial leaded inductors
- High current rating
- Wide inductance range

## APPLICATIONS:

- Power supplies
- Switching circuits
- TV and audio equipment
- Telecommunication devices
- RF and other filters

## ELECTRICAL SPECIFICATIONS:

Part No. AIAP-01- Inductance Code	L( $\mu$ H)	Tolerance	DCR( $\Omega$ )	SRF(MHz)	I <sub>DC</sub> (mA)	Inductance Code
		(%)	(max)	(min)	(max)	
AIAP-01-1R0	1.0	K	0.030	190	3300	1R0
AIAP-01-1R2	1.2	K	0.019	170	3200	1R2
AIAP-01-1R5	1.5	K	0.020	160	3100	1R5
AIAP-01-1R8	1.8	K	0.023	150	2900	1R8
AIAP-01-2R2	2.2	K	0.031	130	2600	2R2
AIAP-01-2R7	2.7	K	0.033	120	2500	2R7
AIAP-01-3R3	3.3	K	0.054	110	1900	3R3
AIAP-01-3R9	3.9	K	0.060	100	1800	3R9
AIAP-01-4R7	4.7	K	0.068	86	1700	4R7
AIAP-01-5R6	5.6	K	0.074	64	1600	5R6
AIAP-01-6R8	6.8	K	0.080	44	1600	6R8
AIAP-01-8R2	8.2	K	0.087	32	1500	8R2
AIAP-01-100	10	K	0.095	25	1500	100
AIAP-01-120	12	K	0.11	17	1400	120
AIAP-01-150	15	K	0.15	13	1200	150
AIAP-01-180	18	K	0.16	10	1100	180
AIAP-01-220	22	K	0.19	8.4	1000	220
AIAP-01-270	27	K	0.22	8.0	950	270
AIAP-01-330	33	K	0.29	7.6	910	330
AIAP-01-390	39	K	0.26	7.1	880	390
AIAP-01-470	47	K	0.35	6.0	760	470
AIAP-01-560	56	K	0.47	5.8	650	560
AIAP-01-680	68	K	0.53	4.3	610	680
AIAP-01-820	82	K	0.60	4.1	580	820
AIAP-01-101	100	K	0.67	3.9	550	101
AIAP-01-121	120	K	0.9	3.6	470	121
AIAP-01-151	150	K	1.2	3.2	410	151
AIAP-01-181	180	K	1.4	2.8	380	181
AIAP-01-221	220	K	1.9	2.3	320	221
AIAP-01-271	270	K	2.1	2.1	310	271
AIAP-01-331	330	K	2.4	1.9	290	331
AIAP-01-391	390	K	3.0	1.7	260	391
AIAP-01-471	470	K	3.4	1.4	240	471
AIAP-01-561	560	K	4.7	1.3	210	561
AIAP-01-681	680	K	6.4	1.2	180	681
AIAP-01-821	820	K	7.1	1.1	170	821
AIAP-01-102	1000	K	7.9	1.0	160	102
AIAP-01-122	1200	K	9.0	0.94	150	122
AIAP-01-152	1500	K	13.5	0.76	130	152
AIAP-01-182	1800	K	14.0	0.72	120	182
AIAP-01-222	2200	K	19.0	0.64	100	222
AIAP-01-272	2700	K	25.0	0.56	90	272
AIAP-01-332	3300	K	29.0	0.53	83	332
AIAP-01-392	3900	K	34.0	0.48	77	392
AIAP-01-472	4700	K	45.0	0.45	74	472
AIAP-01-562	5600	K	55.0	0.40	63	562
AIAP-01-682	6800	K	60.0	0.36	59	682
AIAP-01-822	8200	K	75.0	0.29	54	822
AIAP-01-103	10000	K	85.0	0.27	52	103

ABRACON IS  
ISO 9001:2008  
CERTIFIED



**ABRACON**  
CORPORATION

Visit [www.abracon.com](http://www.abracon.com) for Terms & Conditions of Sale Revised: 03.05.13  
30332 Esperanza, Rancho Santa Margarita, California 92688  
tel 949-546-8000 | fax 949-546-8001 | [www.abracon.com](http://www.abracon.com)

# Epoxy Coated Power Inductor

AIAP-01

 RoHS/RoHS II Compliant



9.14 x φ3.3mm

## Test Conditions and equipments

Test frequency: 7.9MHz for 1.0μH to 8.2μH, 1KHz for 10μH to 10000μH

I<sub>DC</sub>: 10% inductance drops typical

## Operating Temperature

-40°C ~ +105°C

## Storage Temperature

-40°C ~ +85°C

## ▶ PART NUMBER IDENTIFICATION

AIAP-01-   -

### Inductance Code

Please refer to Electrical Specifications Table

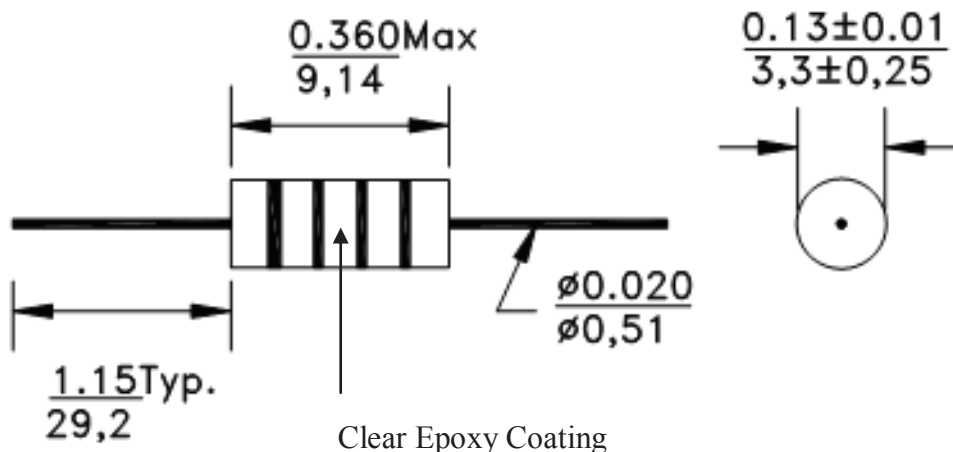
### Tolerance

K: ±10%

### Packaging

T: Tape and Reel  
(2.5kpcs / reel)

## ▶ OUTLINE DRAWING:



Dimension: inch/mm

ABRACON IS  
ISO 9001:2008  
CERTIFIED



Visit [www.abracon.com](http://www.abracon.com) for Terms & Conditions of Sale Revised: 03.05.13  
30332 Esperanza, Rancho Santa Margarita, California 92688  
tel 949-546-8000 | fax 949-546-8001 | [www.abracon.com](http://www.abracon.com)



# Epoxy Coated Power Inductor

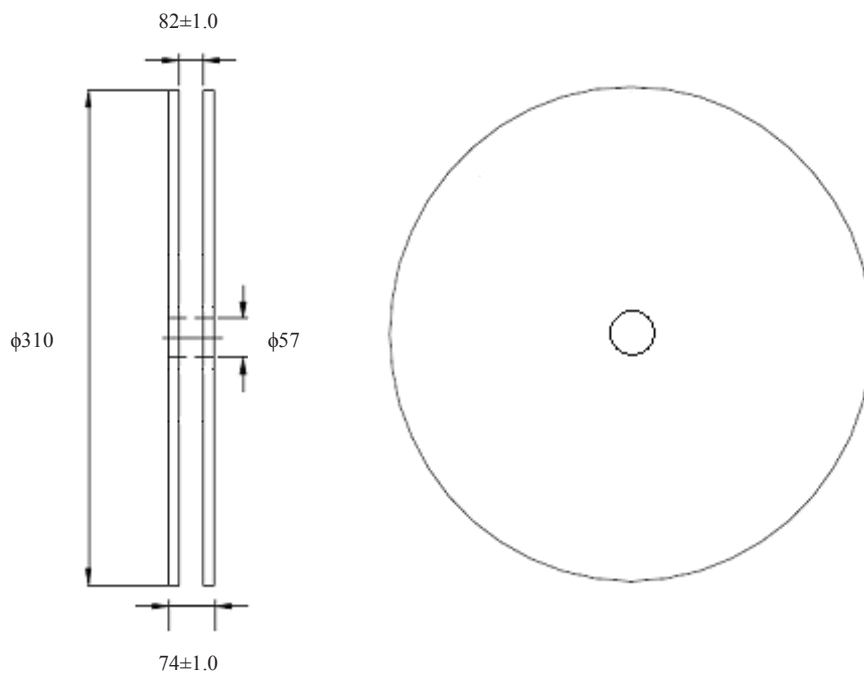
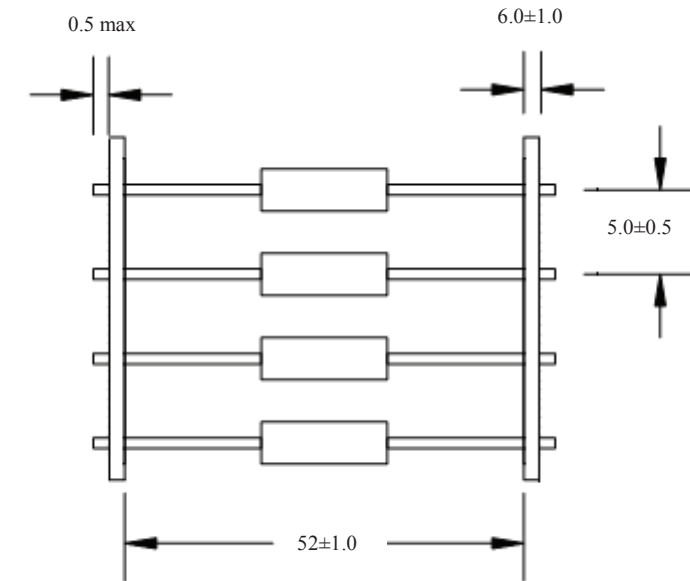
AIAP-01

 RoHS/RoHS II Compliant



## ELECTRICAL SPECIFICATIONS:

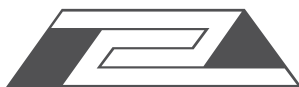
T: 2,500pcs/Reel



Dimension: mm

**ATTENTION:** Abracon Corporation's products are COTS – Commercial-Off-The-Shelf products; suitable for Commercial, Industrial and, where designated, Automotive Applications. Abracon's products are not specifically designed for Military, Aviation, Aerospace, Life-dependant Medical applications or any application requiring high reliability where component failure could result in loss of life and/or property. For applications requiring high reliability and/or presenting an extreme operating environment, written consent and authorization from Abracon Corporation is required. Please contact Abracon Corporation for more information.

ABRACON IS  
ISO 9001:2008  
CERTIFIED



**ABRACON**  
CORPORATION

Visit [www.abracon.com](http://www.abracon.com) for Terms & Conditions of Sale Revised: 03.05.13  
30332 Esperanza, Rancho Santa Margarita, California 92688  
tel 949-546-8000 | fax 949-546-8001 | [www.abracon.com](http://www.abracon.com)