



Chipsmall Limited consists of a professional team with an average of over 10 year of expertise in the distribution of electronic components. Based in Hongkong, we have already established firm and mutual-benefit business relationships with customers from,Europe,America and south Asia,supplying obsolete and hard-to-find components to meet their specific needs.

With the principle of “Quality Parts,Customers Priority,Honest Operation,and Considerate Service”,our business mainly focus on the distribution of electronic components. Line cards we deal with include Microchip,ALPS,ROHM,Xilinx,Pulse,ON,Everlight and Freescale. Main products comprise IC,Modules,Potentiometer,IC Socket,Relay,Connector.Our parts cover such applications as commercial,industrial, and automotives areas.

We are looking forward to setting up business relationship with you and hope to provide you with the best service and solution. Let us make a better world for our industry!



Contact us

Tel: +86-755-8981 8866 Fax: +86-755-8427 6832

Email & Skype: info@chipsmall.com Web: www.chipsmall.com

Address: A1208, Overseas Decoration Building, #122 Zhenhua RD., Futian, Shenzhen, China



AIMB-230

Intel® Core™ i3-4010U/i5-4300U/
i7-4650U/ Celeron 2980U Mini-ITX with
eDP/DP/DP++, 2 COM, and Dual LAN



iManager susiAccess CE FCC RoHS COMPLIANT PRODUCT

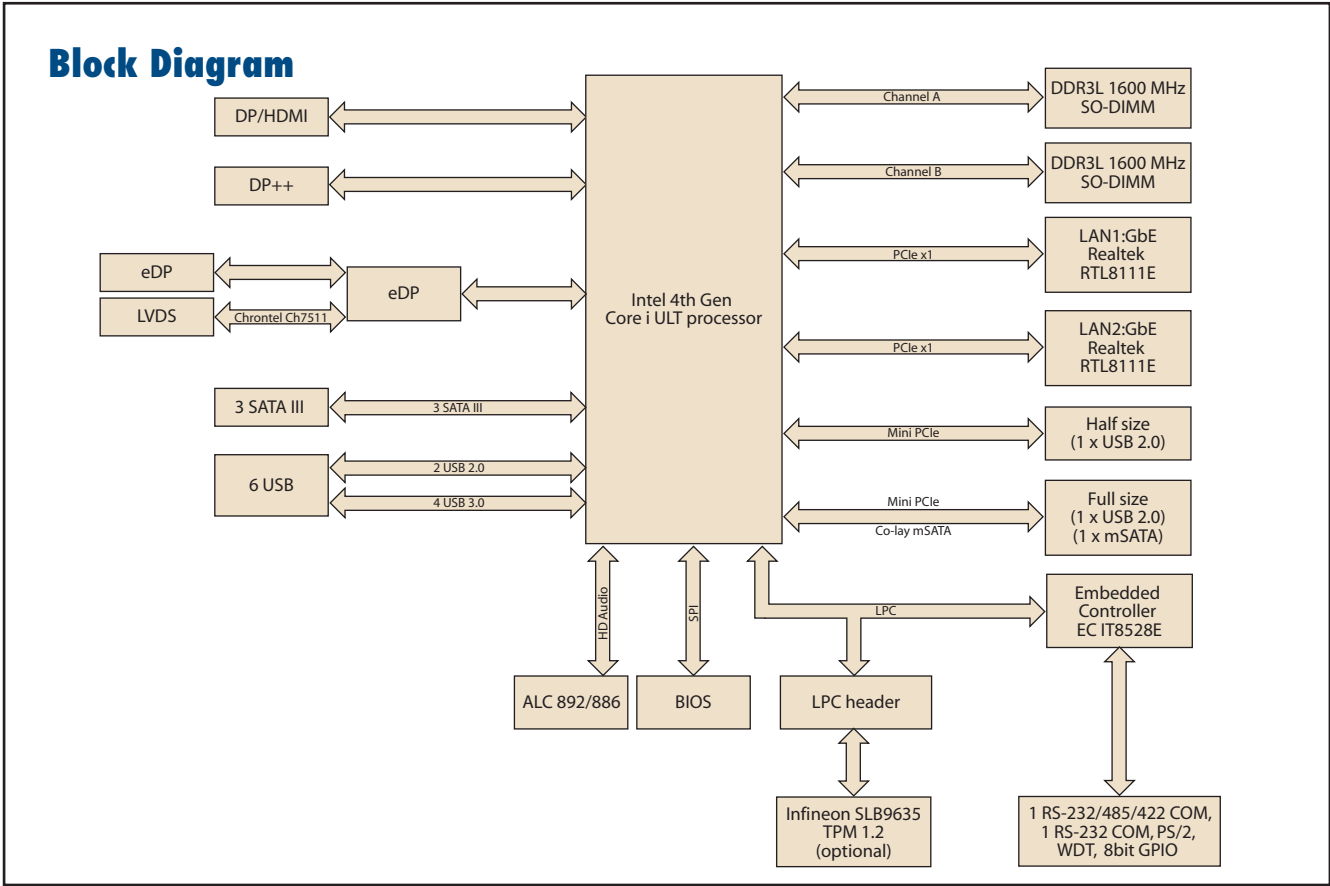
Features

- Supports Intel® Core™ i3-4010U, i5-4300U, i7-4650U and Intel® Celeron 2980U processor (Dual core), 15W TDP, BGA 1168 (MCP) 22nm Processor
- Two 204-pin SO-DIMM up to 16 GB DDR3L 1600 MHz SDRAM
- Multiple display I/O supports versatile Tri display functions for eDP/LVDS, DP/HDMI, and DP++
- Realtek ALC892 supports 5.1 + 2 channel HD audio
- Dual Realtek RTL8111E Gigabit LAN
- 1 Full-sized Mini-PCIe, 1 Half-sized Mini-PCIe
- 2 COM, 3 SATA III, 1 mSATA
- 4 USB 3.0, 2 USB 2.0



Specifications

		Intel Core i5-4300U	Intel Celeron 2980U	Intel i3-4010U	Intel i7-4650U
Processor System	CPU	Intel Core i5-4300U	Intel Celeron 2980U	Intel i3-4010U	Intel i7-4650U
	Core Number	2	2	2	2
	Max. Speed	1.9 GHz	1.6 GHz	1.7 GHz	3.3 GHz
	L3 Cache	3MB	2MB	3MB	4MB
	Chipset	4th Generation Intel® Core™ ULT processors + Lynx Point-LP			
Expansion Slot	BIOS	AMI EFI 128 Mbit, SPI			
	Full-size Mini-PCIe	1, Supports 1 x USB 2.0 and co-lay 1 x mSATA			
Memory	Half-size Mini-PCIe	1, Supports 1 x USB 2.0			
	Technology	Dual Channel DDR3L 1600 MHz			
	Max. Capacity	16 GB/8 GB per SO-DIMM			
Graphics	Socket	2 x 204-pin SO-DIMM (Non-ECC)			
	Controller	Intel® HD Graphics 5000 Supports DirectX 11.1, OpenCL 4.0, OpenCL 1.3, Full AVC, VC1, MPEG2 H/W encoder			
	LVDS+Inverter / eDP	Supports dual channel 48-bit up to 1920 x 1200, co-lay eDP (by BOM option)			
	DP/HDMI	1, Supports HDMI 1.4 for HD Video playback Max resolution up to 3200 x 2000 at 60 Hz on DisplayPort (GT2), 4096 x 2304 at 24 Hz on HDMI (GT2)			
	DP++	1, DP++ connector, available with DP-to-DVI (HDMI) cable (no transmitter) to connector to normal LCD monitor			
	Dual Display	HDMI+LVDS (eDP), HDMI+DP++, LVDS (eDP)+DP++			
	Tri Display	HDMI + HDMI + DP, DP + DP + eDP, HDMI + DP + eDP			
Ethernet	Dual Display Mode	Extended Mode, Clone Mode			
	Interface	10/100/1000 Mbps			
	Controller	LAN1: Realtek RTL8111E-VB-GR LAN2: Realtek RTL8111E-VB-GR			
SATA	Connector	RJ-45 x 2			
	Max Data Transfer Rate	600 MB/s (SATA 3.0)/ mSATA			
	Channel	3 / 1			
Rear I/O	S/W RAID	0,1,5			
	DP/HDMI	1			
	DP++	1			
	Ethernet	2			
	USB	4 x USB 3.0			
	Audio	2 single audio jack for Line-Out (Green), Mic-In (Red)			
Internal Connector	DC Jack	DC 12V Jack, single power			
	LVDS & Inverter	1			
	eDP	1, by BOM optional			
	LVDS Inverter	1 (5 pin support 5V and 12V)			
	LVDS Connector	1 (3.3V / 5V / 12V) by jumper selected			
	USB	2 ports USB 2.0 with 2.0mm pin-header			
	Serial	COM 1: RS-232/422/485 supports +5V, +12V(without H/W auto flow control) COM 2: RS-232			
	SATA	4 (3 x SATA 3.0, 1 x mSATA)			
	SATA Power	3			
	PS/2 K/B & M/S	Supports PS/2 K/S, M/S with 5-pin wafer			
	CPU/System/Chassis Fan Connector	1 CPU fan with 4-pin wafer 1 System fan with 4-pin wafer			
Power Connector	4-pin ATX, DC12V				
Watchdog Timer	GPIO	8-bit (4-bit DI and 4-bit DO)			
	Output	System reset			
Power Requirement	Interval	Programmable 1 ~ 255 sec/min			
	Power Type	Single voltage 12 V DC input; 1 x External DC jack; 1 x Internal 4-pin (2 x 2) power connector, Supports AT/ATX mode			
	Power Consumption (Max, test in HCT)	i5-4300, 3.5" SATA HDD x 1 + 8G RAM x 1 12V 2.66A		Celeron-2980U, 3.5" SATA HDD x 1 + 8G RAM x 1 12V 2.53A	
Environment	Temperature	Operating 0 ~ 60° C (32 ~ 140° F), depends on CPU speed and cooler solution		Non-Operating -20 ~ 70° C (-4 ~ 158° F)	
	Physical Characteristics	Dimensions 170 x 170 mm (6.69" x 6.69")			



Ordering Information

Order Number	CPU	Display	GbE	TPM	Storage	USB	PCIe / PCI	Operating Temp.
AIMB-230G2-U5A1E	i5-4300U							0 ~ 60° C
AIMB-230G2-U0A1E	Celeron 2980U							0 ~ 60° C
AIMB-230G2-U3A1E	i3-4010U	DP/HDMI, DP++, LVDS/eDP (optional)	2	(1)	3 x SATA III 1 x mSATA	4 x USB 3.0 2 x USB 2.0	1 x Full-size Mini-PCIe 1 x Half-size Mini-PCIe	0 ~ 60° C
AIMB-230G2-U7A1E	i7-4650U							0 ~ 60° C
AIMB-230G2Z-U3A1E	i3-4010U							-20 ~ 70° C

*(1) BOM options available on MP version.

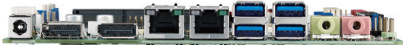
Packing List

Part Number	Description	Quantity
1700003194	SATA HDD cable	2
1700018785	SATA Power cable	2
2006023010	Startup manual	1
1960062823N011	Fanless Heat Sink	1
19Z0000757T000	IO port bracket	1

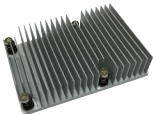
Optional Accessories

Part Number	Description
96PSA-A84W12V1	ADAPTER 100-240V 84W 12V 7A
96PSA-A60W12V1-1	ADAPTER 100-240V 60W 12V 5A
1702002600	Power cable 3-pin 180 cm, USA type
1702002605	Power cable 3-pin 180 cm, Europe type
1702031801	Power cable 3-pin 180 cm, UK type
1700000237	Power cable 3-pin PSE Mark 183 cm
1960061914N001	Fan Cooler
AIMB-OCLR-0006E	Heatpipe cooler solution

I/O View



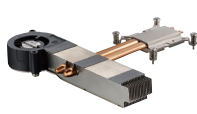
- AIMB-230G2-U3A1E
- AIMB-230G2-U5A1E
- AIMB-230G2-U0A1E
- AIMB-230G2-U7A1E
- AIMB-230G2Z-U3A1E



Fanless Heat Sink



Fan Cooler



Heat Pipe Cooling Module