



Chipsmall Limited consists of a professional team with an average of over 10 year of expertise in the distribution of electronic components. Based in Hongkong, we have already established firm and mutual-benefit business relationships with customers from,Europe,America and south Asia,supplying obsolete and hard-to-find components to meet their specific needs.

With the principle of “Quality Parts,Customers Priority,Honest Operation,and Considerate Service”,our business mainly focus on the distribution of electronic components. Line cards we deal with include Microchip,ALPS,ROHM,Xilinx,Pulse,ON,Everlight and Freescale. Main products comprise IC,Modules,Potentiometer,IC Socket,Relay,Connector.Our parts cover such applications as commercial,industrial, and automotives areas.

We are looking forward to setting up business relationship with you and hope to provide you with the best service and solution. Let us make a better world for our industry!



## Contact us

Tel: +86-755-8981 8866 Fax: +86-755-8427 6832

Email & Skype: info@chipsmall.com Web: www.chipsmall.com

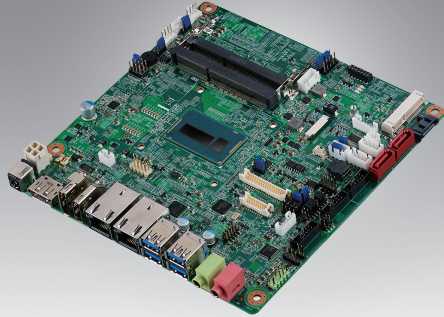
Address: A1208, Overseas Decoration Building, #122 Zhenhua RD., Futian, Shenzhen, China



# AIMB-231

Intel® Core™ i7-5650U/i5-5350U/i3-5010U/  
Celeron 3765U Mini-ITX with LVDS(eDP)/  
DP(HDMI)/DP++, 2 COM, and Dual LAN

NEW



## Features

- Intel® Core™ i7-5650U/ i5-5350U/i3-5010U/ celeron 3765U processor, 15W TDP, BGA 1168 (MCP) 14nm Processor
- Two 204-pin SO-DIMM up to 16 GB DDR3L 1600 MHz SDRAM
- Multiple display I/O supports versatile Tri display functions for eDP/LVDS, DP/HDMI, and DP++
- Realtek ALC892 supports 7.1 + 2 channel HD audio
- Dual Intel i218/i210 Gigabit LAN
- 1 Full-sized Mini-PCIe, 1 Half-sized Mini-PCIe, 1 SIM Card Holder
- 2 COM, 3 SATA III, 1 mSATA
- 4 USB 3.0, 2 USB 2.0

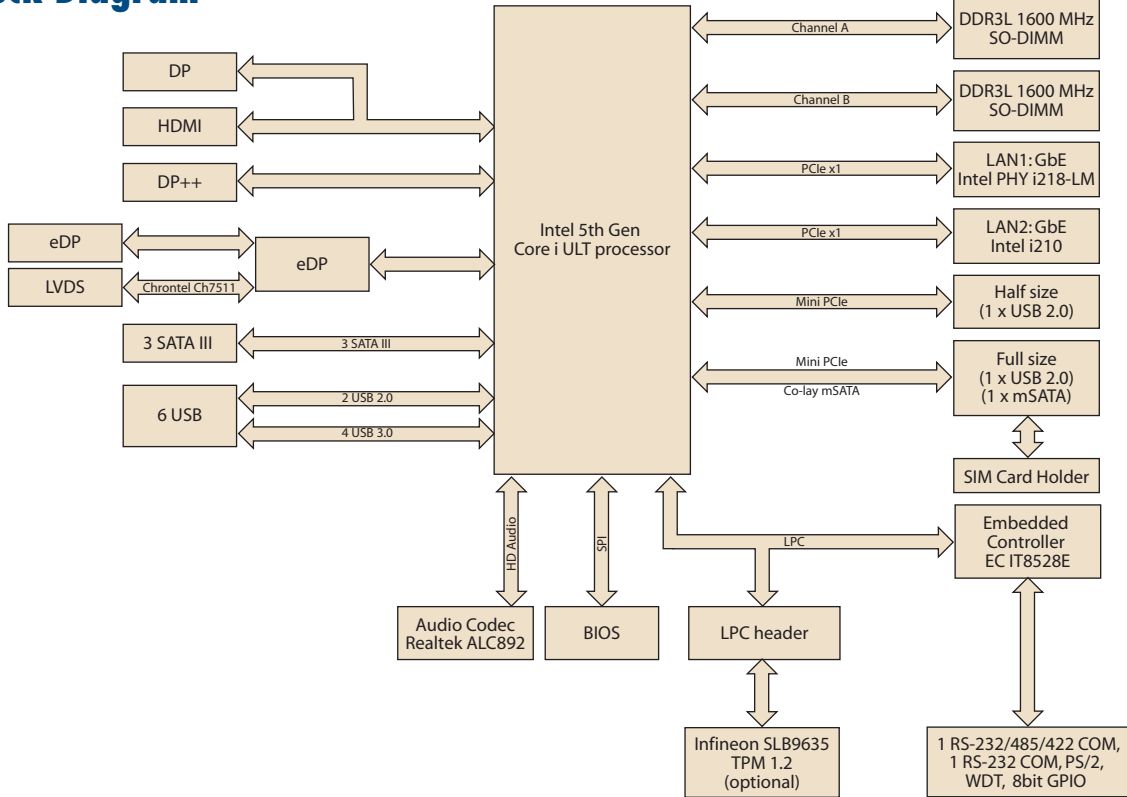
Software APIs: SMBus H/W Monitor Watchdog GPIO Brightness

Utilities: BIOS flash Monitoring

## Specifications

		Intel Core i7-5650U	Intel Core i5-5350U	Intel Core i3-5010U	Intel Celeron 3765U
Processor System	CPU	Intel Core i7-5650U	Intel Core i5-5350U	Intel Core i3-5010U	Intel Celeron 3765U
	Core Number	2	2	2	2
	Max. Speed	3.1GHz	1.8 GHz	2.1GHz	1.9GHz
	L3 Cache	4MB	3M	3M	2M
	Chipset	5th Generation Intel® Core™ ULT + Wildcat Point LP			
Expansion Slot	BIOS	AMI EFI 128 Mbit, SPI			
	Full-size Mini-PCIe	1, Supports 1 x USB 2.0 and co-lay 1 x mSATA with SIM card holder			
	Half-size Mini-PCIe	1, Supports 1 x USB 2.0			
Memory	Technology	Dual Channel DDR3L 1600 MHz			
	Max. Capacity	16 GB/8 GB per SO-DIMM			
	Socket	2 x 204-pin SO-DIMM (Non-ECC)			
Graphics	Controller	Intel® HD Graphics 6000 Supports DirectX 11.1, OpenGL 4.2, OpenCL 1.3, Full AVC, VC1, MPEG2 H/W encoder		Intel® HD Graphics 5500	
	LVDS+Inverter / eDP	Supports dual channel 48-bit up to 1920 x 1200, co-lay eDP			
	DP/HDMI	1, Supports HDMI 1.4 for HD Video playback Max resolution up to 3840 x 2160 at 60 Hz on DisplayPort, 4096 x 2304 at 24 Hz on HDMI (default HDMI)			
	DP++	1, DP++ connector, available with DP-to-DVI (HDMI) cable (no transmitter) to connector to normal LCD monitor			
	Dual Display	LVDS(or eDP)+DP, LVDS(or eDP)+HDMI, LVDS(or eDP)+DP++, DP +DP++, HDMI+ DP++			
	Tri Display	DP++ + HDMI +LVDS(or eDP), DP++ + DP +LVDS(or eDP)			
Ethernet	Dual Display Mode	Extended Mode, Clone Mode			
	Interface	10/100/1000 Mbps			
	Controller	LAN1: Intel PHY i218-LM (support AMT 10.0) LAN2: Intel i210			
SATA	Connector	RJ-45 x 2			
	Max Data Transfer Rate	600 MB/s (SATA 3.0)/ mSATA			
	Channel	3 / 1			
Rear I/O	S/W RAID	0, 1, 5			
	DP/HDMI	1 / 1			
	DP++	1			
	Ethernet	2			
	USB	4 x USB 3.0			
	Audio	2 single audio jack for Line-Out (Green), Mic-In (Red)			
Internal Connector	DC Jack	DC 12V Jack, single power			
	LVDS & Inverter	1			
	eDP	1, by BOM optional			
	LVDS Inverter	1 (5 pin support 5V and 12V)			
	LVDS Connector	1 (3.3V / 5V / 12V) by jumper selected			
	USB	2 ports USB 2.0 with 2.0mm pin-header			
	Serial	COM 1: RS-232/422/485 supports +5V, +12V(without H/W auto flow control) COM 2: RS-232			
	SATA	4 (3 x SATA 3.0, 1 x mSATA)			
	SATA Power	3			
	PS/2 K/B & M/S	Supports PS/2 K/S,M/S with 5-pin wafer			
Watchdog Timer	CPU/System/Chassis Fan Connector	1 CPU fan with 4-pin wafer 1 System fan with 4-pin wafer			
	Power Connector	4-pin ATX, DC12V			
	GPIO	8-bit (4-bit DI and 4-bit DO)			
Power Requirement	Output	System reset			
	Interval	Programmable 1 ~ 255 sec/min			
	Power Type	Single voltage 12 V DC input;1 x External DC jack;1 x Internal 4-pin (2 x 2) power connector, Supports AT/ATX mode			
Environment	Power Consumption (Max, test in HCT)	i5-5350U,3.5" SATA HDD x1+ 8G RAM x 2 12V 5.57(A)		i3-5010U,3.5" SATA HDD x1+ 8G RAM x 2 12V 3.05(A)	
	Temperature	Operating 0 ~ 60° C (32 ~ 140° F), depends on CPU speed and cooler solution		Non-Operating -40 ~ 85° C (-40 ~ 185° F)	
Physical Characteristics	Dimensions	170 x 170 mm (6.69" x 6.69")			

**Block Diagram**



**Ordering Information**

Order Number	CPU	Display	GbE	TPM	Storage	USB	PCIe / PCI	AMP	Operating Temp.
AIMB-231G2-U7A1E	i7-5650U								0 ~ 60° C
AIMB-231G2-U5A1E	i5-5350U	DP/HDMI, DP++, LVDS/eDP	2	(1)	3 x SATA III 1 x mSATA	4 x USB 3.0 2 x USB 2.0	1 x Full-size Mini-PCIe 1 x Half-size Mini-PCIe	(1)	0 ~ 60° C
AIMB-231G2-U3A1E	i3-5010U								0 ~ 60° C
AIMB-231G2-U0A1E	Celeron 3765U								0 ~ 60° C
AIMB-231G2Z-U3A1E	i3-5010U								-20 ~ 70° C

\*( ) BOM options available on MP version.

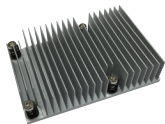
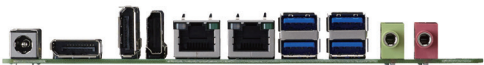
**Packing List**

Part Number	Description	Quantity
1700003194	SATA HDD cable	2
1700018785	SATA Power cable	2
2006A23110	Startup manual	1
1960062823N011	Fanless Heat Sink	1
19Z0000845T000	IO BRACKET FOR AIMB-231	1

**Optional Accessories**

Part Number	Description
96PSA-A84W12V1	ADAPTER 100-240V 84W 12V 7A
96PSA-A60W12V1-1	ADAPTER 100-240V 60W 12V 5A
1702002600	Power cable 3-pin 180 cm, USA type
1702002605	Power cable 3-pin 180 cm, Europe type
1702031801	Power cable 3-pin 180 cm, UK type
1700000237	Power cable 3-pin PSE Mark 183 cm
1960061914N021	Fan Cooler for 15W 60(W) x 60(L) x 26.5(H)mm

**I/O View**



Fanless Heat Sink



Fan Cooler