



Chipsmall Limited consists of a professional team with an average of over 10 year of expertise in the distribution of electronic components. Based in Hongkong, we have already established firm and mutual-benefit business relationships with customers from,Europe,America and south Asia,supplying obsolete and hard-to-find components to meet their specific needs.

With the principle of "Quality Parts,Customers Priority,Honest Operation,and Considerate Service",our business mainly focus on the distribution of electronic components. Line cards we deal with include Microchip,ALPS,ROHM,Xilinx,Pulse,ON,Everlight and Freescale. Main products comprise IC,Modules,Potentiometer,IC Socket,Relay,Connector.Our parts cover such applications as commercial,industrial, and automotives areas.

We are looking forward to setting up business relationship with you and hope to provide you with the best service and solution. Let us make a better world for our industry!



## Contact us

Tel: +86-755-8981 8866 Fax: +86-755-8427 6832

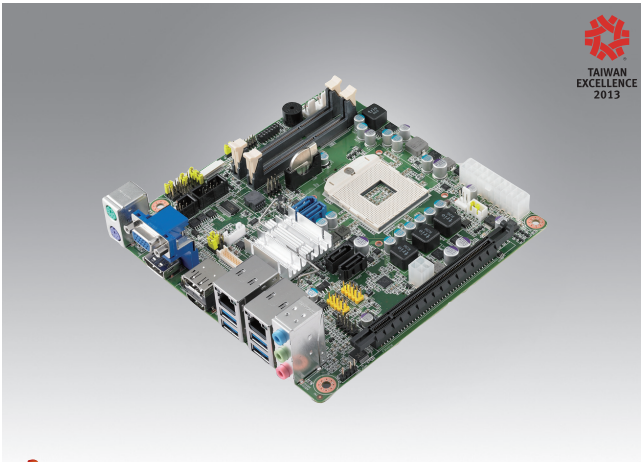
Email & Skype: info@chipsmall.com Web: www.chipsmall.com

Address: A1208, Overseas Decoration Building, #122 Zhenhua RD., Futian, Shenzhen, China



# AIMB-273

Intel® Core™ i7/i5/i3/Celeron  
uFC-PGA988 Mini-ITX with 2 DP/HDMI/  
LVDS/CRT, 2 COM, Dual LAN, PCIe x16



iManager WISE-PaaS/RMM RoHS COMPLIANT CE FCC

## Features

- Supports Intel® Core™ i7/i5/i3 mobile processor (PGA) with Intel QM77 chipset
- Two 204-pin SO-DIMM up to 16 GB DDR3 1333/1600 MHz SDRAM
- Supports triple display of 2 DP, HDMI, LVDS, CRT
- Supports PCIe x16 (Gen 3) and mini PCIe
- Supports Intel vPro, AMT 8.0, PECI 3.0, Software RAID 0,1,5,10, TPM 1.2 (optional)
- Supports iManager, WISE-PaaS/RMM and Embedded Software APIs

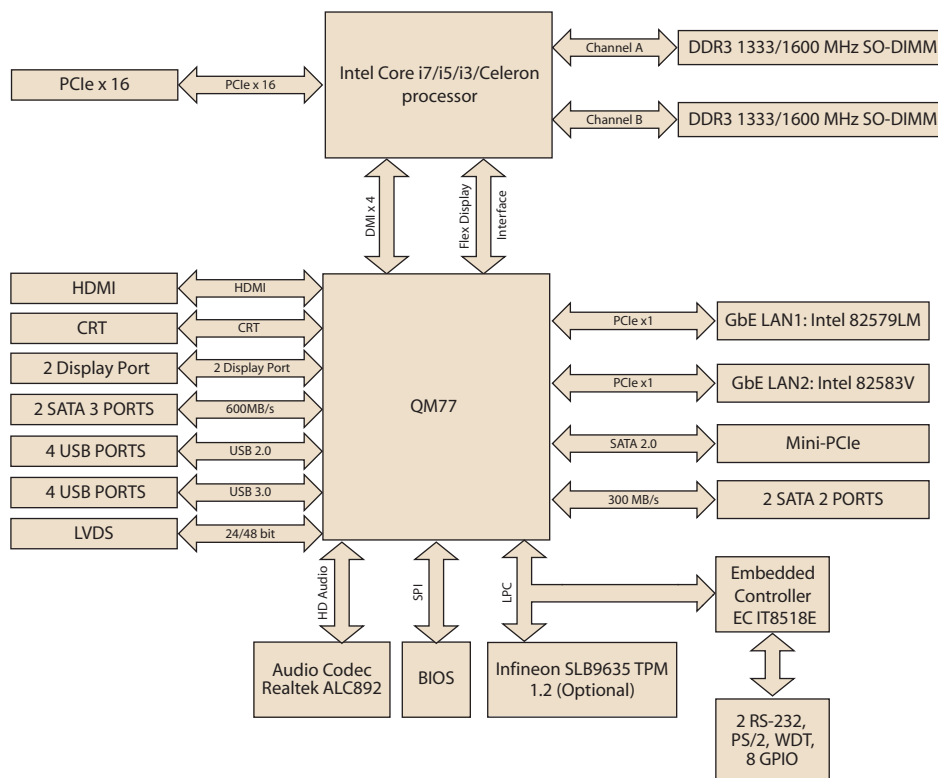
Software APIs:

Utilities:

## Specifications

	CPU	Intel Core i7-3610QE	Intel Core i7-2710QE	Core i5-3610ME	Core i5-2510E	Core i3-3120ME	Core i3-2330E	Celeron B810	
Processor System	Core Number	4	4	2	2	2	2	2	
	Max Speed	2.3 GHz	2.1 GHz	2.7GHz	2.5 GHz	2.4 GHz	2.2 GHz	1.6 GHz	
	L3 Cache	6 MB	6 MB	3MB	3 MB	3MB	3 MB	2 MB	
	Chipset	QM77							
	BIOS	AMI EFI 64 Mbit SPI							
Expansion Slot	PCI	-							
	Mini-PCIe	1							
	PCIe x16 (Gen3)	16 GB/s per direction, 1 slot							
Memory	Technology	Dual Channel DDR3 1333/1600 MHz SDRAM							
	Max. Capacity	16 GB/8 GB per SO-DIMM							
	Socket	2 x 204 PIN DDR3 SO-DIMM							
Graphics	Controller	Integrated Gfx Gen 7, supports DirectX11, OpenGL 3.1 and OpenCL 1.1							
	VRAM	Shared system memory, 2 GB and above, total system memory shared 1 GB maximum video memory							
	CRT	Yes, supports max. resolution 2048 x 1536							
	LVDS	Supports dual channel 48 bit up to 1920 x 1080							
	HDMI	Supports HDMI 1.4, 1650 Mbps/channel with 165 MHz							
Triple Display	DP+LVDS+HDMI, DP+DP+HDMI, DP+DP+LVDS, DP+CRT+HDMI (The Celeron B810 processor doesn't support triple display)								
Ethernet	Interface	10/100/1000 Mbps							
	Controller	GbE LAN1: Intel 82579LM, LAN2: Intel 82583V							
	Connector	RJ-45 x 2							
SATA	Max Data Transfer Rate	600 MB/s (SATA 3.0)/ 300 MB/s (SATA 2.0)							
	Channel	2/2							
Rear I/O	CRT	1							
	HDMI	1							
	Display Port	2							
	Ethernet	2							
	USB	4 (USB 3.0)							
	Audio	3 (Mic-in, Line-out, Line-in)							
	Serial	-							
	PS/2	2 (1 x keyboard and 1 x mouse)							
	Internal Connector	USB	4 (USB 2.0)						
LVDS/Inverter	1								
Serial	2 (RS-232, COM2 with 5 V/12 V)								
IDE	-								
SATA	2 (SATA 3.0), 2 (SATA 2.0)								
Mini-PCIe	1								
CFast	1								
Parallel	-								
IrDA	-								
GPIO	8-bit								
Watchdog Timer	Output	System reset							
	Interval	Programmable 1 ~ 255 sec/min							
Power Requirements	Power On	Intel Core i7 -3610QE 2.30GHz processor/DDR3-1333MHz 4G x2/16G SQFlash							
		5 V	3.3 V	12 V		5 Vsb		-12 V	
		3.42 A	1.1 A	1.19 A		0.5 A		0.07A	
Environment		Operating				Non-Operating			
	Temperature	0 ~ 60° C (32 ~ 140° F), depends on CPU speed and cooler solution				-40 ~ 85° C (-40 ~ 185° F)			
Physical Characteristics	Dimensions	170 mm x 170 mm (6.69" x 6.69")							

## Block Diagram



## Ordering Information

Part Number	Chipset	DP	CRT	LVDS	HDMI	GbE LAN	COM
AIMB-273G2-00A1E	QM77	2	1	1	1	2	2

## Packing List

Part Number	Description	Quantity
1700003194	SATA HDD cable	2
1703150102	SATA power cable	2
1960051292N001	CPU cooler	1
1960019192T100	I/O port bracket	1
20060273010	Startup manual	1

## I/O View



AIMB-273G2-00A1E

## Optional Accessories

Part Number	Description
1700003195	USB cable with two ports, 17.5 cm
1700002204	USB cable with two ports, 27 cm
1700008461	USB cable with four ports, 30.5 cm

## Optional Chassis

Part Number	Description
AIMB-B2000-15ZE	Mini-ITX chassis with 150W ATX power supply

## Embedded OS/API

OS/API	Part number	Description
Win XPE	2070011021	XPE WES 2009
WES7	2070011359	Windows 7 Embedded English version
WES7E	2070011440	WES7E JPN/TC/SC/ENG