



Chipsmall Limited consists of a professional team with an average of over 10 year of expertise in the distribution of electronic components. Based in Hongkong, we have already established firm and mutual-benefit business relationships with customers from,Europe,America and south Asia,supplying obsolete and hard-to-find components to meet their specific needs.

With the principle of "Quality Parts,Customers Priority,Honest Operation,and Considerate Service",our business mainly focus on the distribution of electronic components. Line cards we deal with include Microchip,ALPS,ROHM,Xilinx,Pulse,ON,Everlight and Freescale. Main products comprise IC,Modules,Potentiometer,IC Socket,Relay,Connector.Our parts cover such applications as commercial,industrial, and automotives areas.

We are looking forward to setting up business relationship with you and hope to provide you with the best service and solution. Let us make a better world for our industry!



Contact us

Tel: +86-755-8981 8866 Fax: +86-755-8427 6832

Email & Skype: info@chipsmall.com Web: www.chipsmall.com

Address: A1208, Overseas Decoration Building, #122 Zhenhua RD., Futian, Shenzhen, China



AIMB-562

LGA 775 Core™ 2 Duo/Pentium® D/Pentium 4/
Celeron® D Processor-based MicroATX with
DDR2/PCIe/Single GbE LAN

NEW



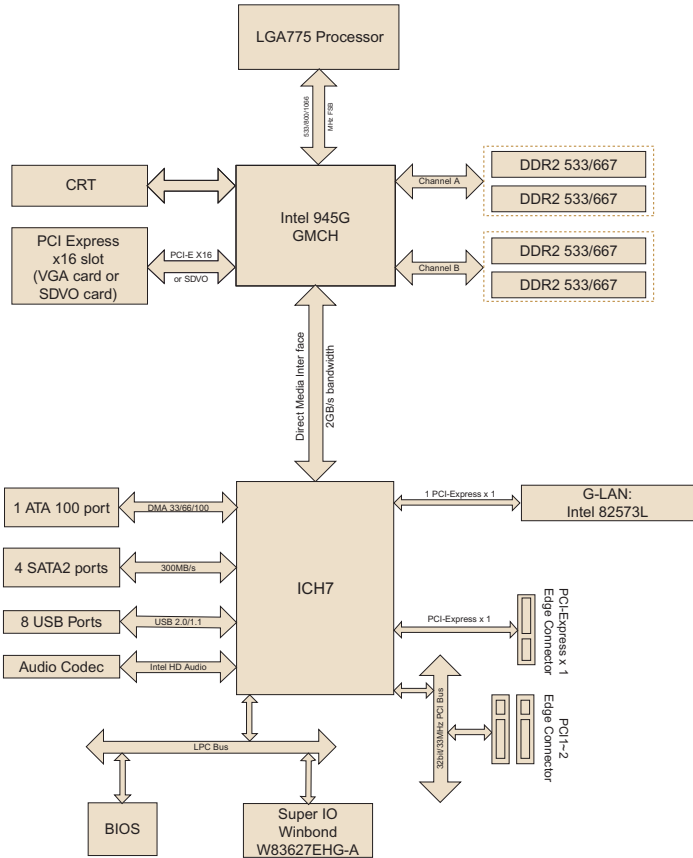
Features

- Intel® 945G chipset 533/800/1066 MHz FSB
- Supports Intel Core 2 Duo processor
- Dual channel DDR2 533/667 SDRAM up to 4 GB
- Chipset integrated VGA sharing 224 MB system memory
- PCIe x16 slot for VGA card
- Four SATA II ports with 300 MB transfer rate
- Supports single 10/100/1000Base-T Ethernet via dedicated PCIe x1 bus

Specifications

Processor System	CPU (65nm/ 90nm)	Intel® Core™ 2 Duo	Pentium® D	Pentium® 4	Celeron® D		
	Max. Speed	2.66 GHz	3.2 GHz (Dual-core)	3.8 GHz	3.06 GHz		
	L2 Cache	4 MB	1 MB x 2, 2 MB x 2	2 MB/1 MB	512KB/256KB		
	Chipset	Intel 945G + ICH7					
	BIOS	AMI® 8 Mbit FWH					
	Front Side Bus	533/800/1066 MHz					
Expansion Slot	PCIe x16	4.0 GB/s per direction, 1 slot					
	PCIe x1	250 MB per direction, 1 slot					
	PCI	32-bit/33MHz, 2 slots					
Memory	Technology	Dual channel DDR2 533/667 MHz					
	Max. Capacity	4 GB					
	Socket	240-pin DIMM x 4					
Graphic	Embedded	Chipset integrated VGA controller sharing 224 MB system memory					
	Add-on	PCIe x16 slot					
Ethernet	Interface	10/100/1000 Base-T					
	Controller	G-LAN: Intel 82573L					
	Connector	RJ45 with LED connector x 1					
SATA II	Max. Data Transfer Rate	300 MB/s					
	Channel	4					
EIDE	Mode	ATA 100/66/33					
	Channel	1 (Max. 2 devices)					
I/O Interface	VGA	1					
	USB	Max. 8 (USB 2.0 compliant), 4 ports on board					
	Audio	3 (MIC-In, Line-In, Line-Out)					
	Serial	2					
	Parallel	1 (SPP/EPP/ECP)					
	FDD	1					
	PS/2	2					
Watchdog Timer	None						
Power Requirement	Typical	Pentium 4 3.4 GHz, 1 GB SDRAM, 80 GB HDD					
		+12 V	+5 V	+3.3 V	5 Vsb	-5 V	-12 V
		10.36 A	3.95 A	4.5 A	1.2 A	12 mA	36 mA
Environment	Temperature	Operating				Non-Operating	
		0 ~ 60° C (32 ~ 140° F), depends on CPU's speed and cooler solution				-20 ~ 70° C (-4 ~ 158° F)	
Physical Characteristics	Dimensions (W x D)	244 x 244 mm (9.6" x 9.6")					

Block Diagram



Ordering Information

Part Number	VGA	Gigabit LAN
AIMB-562VG-00A1E	Yes	Single

*AIMB-562 cannot be installed in ACP-2000MB chassis
 **We strongly suggest to use only Advantech's certified LGA 775 CPU coolers to ensure board reliability under harsh environments

Bracket View



AIMB-562VG-00A1E

Packing List

Description	Quantity
FDD cable	x 1
IDE HDD cable	x 1
Serial ATA HDD data cable	x 2
Serial ATA HDD power cable	x 2
COM port cable kit	x 1
I/O port bracket	x 1
Startup manual	x 1
Utility CD	x 1

Accessories

Part Number	Description
1750000334	LGA 775 CPU cooler (115W)
1750001661	LGA 775 CPU Cooler for 2U chassis
1700002314	USB cable with four ports, 30.5cm
1700002204	USB cable with dual ports, 27cm
1700003195	USB cable with dual ports, 17.5cm