



Chipsmall Limited consists of a professional team with an average of over 10 year of expertise in the distribution of electronic components. Based in Hongkong, we have already established firm and mutual-benefit business relationships with customers from,Europe,America and south Asia,supplying obsolete and hard-to-find components to meet their specific needs.

With the principle of “Quality Parts,Customers Priority,Honest Operation,and Considerate Service”,our business mainly focus on the distribution of electronic components. Line cards we deal with include Microchip,ALPS,ROHM,Xilinx,Pulse,ON,Everlight and Freescale. Main products comprise IC,Modules,Potentiometer,IC Socket,Relay,Connector.Our parts cover such applications as commercial,industrial, and automotives areas.

We are looking forward to setting up business relationship with you and hope to provide you with the best service and solution. Let us make a better world for our industry!



## Contact us

Tel: +86-755-8981 8866 Fax: +86-755-8427 6832

Email & Skype: info@chipsmall.com Web: www.chipsmall.com

Address: A1208, Overseas Decoration Building, #122 Zhenhua RD., Futian, Shenzhen, China



# Unshielded Radial Power Inductor

AIUR-16 Series



RoHS/RoHS II compliant



9.50 x  $\phi$ 7.00mm

## FEATURES:

- Ferrite core with heat shrink tube
- High Reliability

## APPLICATIONS:

- Switching Power Supplies
- Noise Filtering
- DC to DC Converters
- Electronic Household Appliances
- Buzzers and Alarm Systems
- Television and Audio Equipment

## STANDARD SPECIFICATIONS:

### PARAMETERS

ABRACON P/N:	AIUR-16 Series
Operating temperature:	-25°C to + 85°C
Storage temperature:	-25°C to + 85°C

Part Number AIUR-16- Inductance Code	Inductance	Tolerance	DCR (Max)	Saturation Current (Max)	Temperature Rise Current (Max)	Marking
Units	$\mu$ H	%	$\Omega$	A	A	
Symbol	L		DCR	Isat	Irms	
AIUR-16-3R9	3.9	K	0.020	2.700	1.300	3R9K
AIUR-16-4R7	4.7	K	0.022	2.500	1.300	4R7K
AIUR-16-5R6	5.6	K	0.027	2.300	1.300	5R6K
AIUR-16-6R8	6.8	K	0.029	2.100	1.300	6R8K
AIUR-16-8R2	8.2	K	0.036	1.900	1.300	8R2K
AIUR-16-100	10	K	0.041	1.700	1.300	100K
AIUR-16-120	12	K	0.046	1.550	1.300	120K
AIUR-16-150	15	K	0.050	1.400	1.300	150K
AIUR-16-180	18	K	0.062	1.300	1.000	180K
AIUR-16-220	22	K	0.071	1.200	1.000	220K
AIUR-16-270	27	K	0.073	1.100	1.000	270K
AIUR-16-330	33	K	0.090	0.920	0.800	330K
AIUR-16-390	39	K	0.102	0.840	0.800	390K
AIUR-16-470	47	K	0.120	0.760	0.800	470K
AIUR-16-560	56	K	0.162	0.700	0.620	560K
AIUR-16-680	68	K	0.186	0.660	0.620	680K
AIUR-16-820	82	K	0.240	0.580	0.490	820K
AIUR-16-101	100	K	0.270	0.530	0.490	101K
AIUR-16-121	120	K	0.310	0.460	0.490	121K
AIUR-16-151	150	K	0.372	0.440	0.490	151K
AIUR-16-181	180	K	0.456	0.390	0.385	181K
AIUR-16-221	220	K	0.535	0.350	0.385	221K
AIUR-16-271	270	K	0.625	0.320	0.385	271K
AIUR-16-331	330	K	0.816	0.300	0.300	331K
AIUR-16-391	390	K	1.000	0.280	0.250	391K
AIUR-16-471	470	K	1.200	0.240	0.250	471K
AIUR-16-561	560	K	1.300	0.225	0.250	561K
AIUR-16-681	680	K	1.800	0.210	0.190	681K
AIUR-16-821	820	K	2.100	0.190	0.190	821K
AIUR-16-102	1000	K	3.000	0.165	0.150	102K
AIUR-16-122	1200	K	3.300	0.155	0.150	122K
AIUR-16-152	1500	K	3.500	0.135	0.150	152K
AIUR-16-182	1800	K	5.700	0.125	0.120	182K
AIUR-16-222	2200	K	6.200	0.115	0.095	222K
AIUR-16-272	2700	K	7.600	0.105	0.095	272K
AIUR-16-332	3300	K	8.500	0.096	0.095	332K
AIUR-16-392	3900	K	10.30	0.084	0.076	392K
AIUR-16-472	4700	K	11.30	0.076	0.076	472K
AIUR-16-562	5600	K	13.00	0.070	0.076	562K
AIUR-16-682	6800	K	17.00	0.064	0.060	682K

ABRACON IS  
ISO 9001:2008  
CERTIFIED



**ABRACON**  
CORPORATION

Visit [www.abracon.com](http://www.abracon.com) for Terms & Conditions of Sale  
30332 Esperanza, Rancho Santa Margarita, California 92688  
tel 949-546-8000 | fax 949-546-8001 | [www.abracon.com](http://www.abracon.com)

Revised: 07.26.12

# Unshielded Radial Power Inductor

AIUR-16 Series



RoHS/RoHS II compliant



9.50 x  $\phi$ 7.00mm

Part Number AIUR-16- Inductance Code	Inductance	Tolerance	DCR (Max)	Saturation Current (Max)	Temperature Rise Current (Max)	Marking
Units	$\mu$ H	%	$\Omega$	A	A	
Symbol	L		DCR	Isat	Irms	
AIUR-16-822	8200	K	20.00	0.057	0.060	822K
AIUR-16-103	10000	K	27.00	0.053	0.046	103K
AIUR-16-123	12000	K	31.00	0.047	0.046	123K
AIUR-16-153	15000	K	45.00	0.043	0.036	153K
AIUR-16-183	18000	K	51.00	0.038	0.036	183K
AIUR-16-223	22000	K	60.00	0.035	0.030	223K
AIUR-16-273	27000	K	66.00	0.033	0.030	273K
AIUR-16-333	33000	K	100.0	0.029	0.030	333K

## Test Conditions and equipments

Test frequency: 10kHz, 0.1Vrms

DCR: QuadTech Milliohmmeter

Isat: 5% typical inductance drops from initial value

Irms:  $\Delta$ T of 30°C max.

## PART NUMBER IDENTIFICATION

AIUR-16-

Packaging 200pcs/box

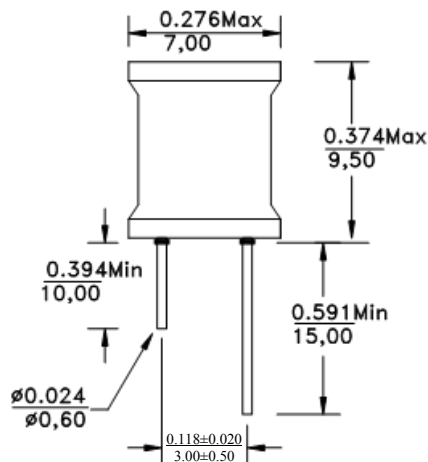
### Inductance Code

Please refer to the  
Electrical Spec Table

### Tolerance

K:  $\pm$ 10%

## PART NUMBER IDENTIFICATION



**ATTENTION:** Abracon Corporation's products are COTS – Commercial-Off-The-Shelf products; suitable for Commercial, Industrial and, where designated, Automotive Applications. Abracon's products are not specifically designed for Military, Aviation, Aerospace, Life-dependant Medical applications or any application requiring high reliability where component failure could result in loss of life and/or property. For applications requiring high reliability and/or presenting an extreme operating environment, written consent and authorization from Abracon Corporation is required. Please contact Abracon Corporation for more information.

ABRACON IS  
ISO 9001:2008  
CERTIFIED



Visit [www.abracon.com](http://www.abracon.com) for Terms & Conditions of Sale

Revised: 07.26.12

30332 Esperanza, Rancho Santa Margarita, California 92688  
tel 949-546-8000 | fax 949-546-8001 | [www.abracon.com](http://www.abracon.com)