



Chipsmall Limited consists of a professional team with an average of over 10 year of expertise in the distribution of electronic components. Based in Hongkong, we have already established firm and mutual-benefit business relationships with customers from,Europe,America and south Asia,supplying obsolete and hard-to-find components to meet their specific needs.

With the principle of “Quality Parts,Customers Priority,Honest Operation,and Considerate Service”,our business mainly focus on the distribution of electronic components. Line cards we deal with include Microchip,ALPS,ROHM,Xilinx,Pulse,ON,Everlight and Freescale. Main products comprise IC,Modules,Potentiometer,IC Socket,Relay,Connector.Our parts cover such applications as commercial,industrial, and automotives areas.

We are looking forward to setting up business relationship with you and hope to provide you with the best service and solution. Let us make a better world for our industry!



## Contact us

Tel: +86-755-8981 8866 Fax: +86-755-8427 6832

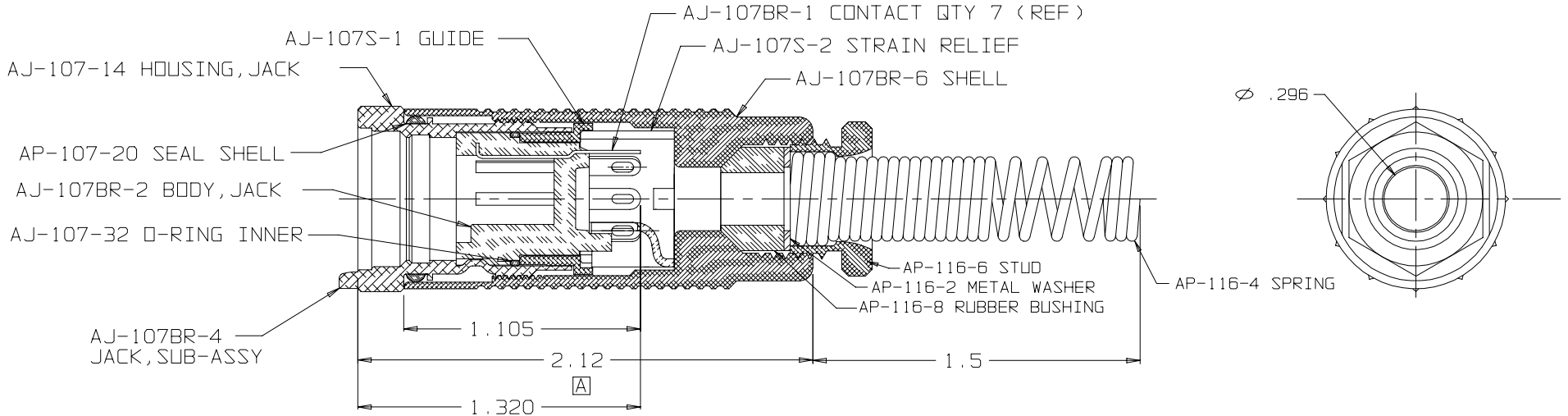
Email & Skype: info@chipsmall.com Web: www.chipsmall.com

Address: A1208, Overseas Decoration Building, #122 Zhenhua RD., Futian, Shenzhen, China



**B** AJ-107BR

# PROPRIETARY-NEXUS



THIS DOCUMENT CONTAINS PROPRIETARY INFORMATION OF NEXUS, INCORPORATED AND SUCH INFORMATION MAY NOT BE DISCLOSED TO OTHERS FOR ANY PURPOSE OR USED FOR ANY PURPOSE WITHOUT THE WRITTEN CONSENT OF NEXUS.

DWN. BY M.N.F.	DATE 3/8/96	MATERIAL _____	
CHECKED BY L. SMITH	DATE 7/18/96	FINISH _____	
APPR. BY L. SMITH	DATE 7/18/96	WEIGHT _____	SCALE 2:1
UNLESS OTHERWISE SPECIFIED DIMENSIONS ARE IN INCHES TOLERANCES ON FRACTIONS DECIMALS ANGLES		TITLE <b>SEVEN CONNECTOR AUDIO JACK WITH SPRING BEND RELIEF</b>	
		DO NOT SCALE DWG.	SHEET 1 OF 1
		SIZE <b>B</b>	DWG. NO. <b>AJ-107BR</b> ASSEMBLY, B.O.M.

A	WAS 2.02	0242	9/23/96	L.S.
LET.	REVISION	CN #	DATE	CHK.