



Chipsmall Limited consists of a professional team with an average of over 10 year of expertise in the distribution of electronic components. Based in Hongkong, we have already established firm and mutual-benefit business relationships with customers from,Europe,America and south Asia,supplying obsolete and hard-to-find components to meet their specific needs.

With the principle of "Quality Parts,Customers Priority,Honest Operation,and Considerate Service",our business mainly focus on the distribution of electronic components. Line cards we deal with include Microchip,ALPS,ROHM,Xilinx,Pulse,ON,Everlight and Freescale. Main products comprise IC,Modules,Potentiometer,IC Socket,Relay,Connector.Our parts cover such applications as commercial,industrial, and automotives areas.

We are looking forward to setting up business relationship with you and hope to provide you with the best service and solution. Let us make a better world for our industry!



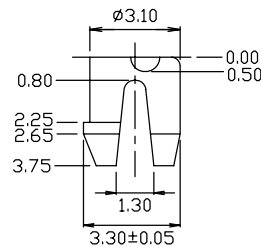
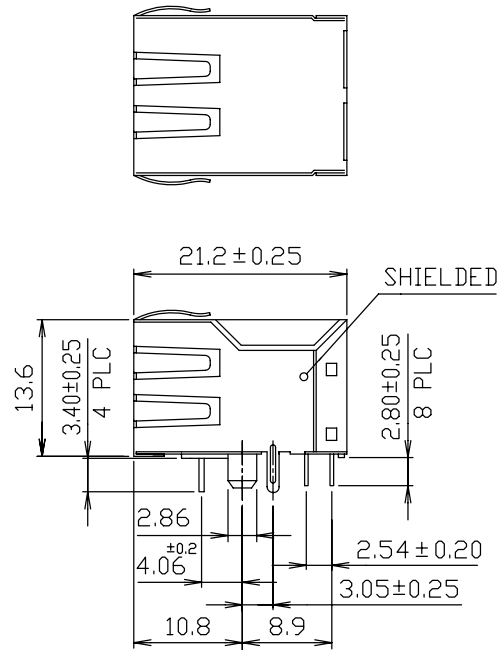
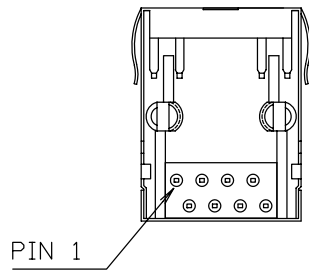
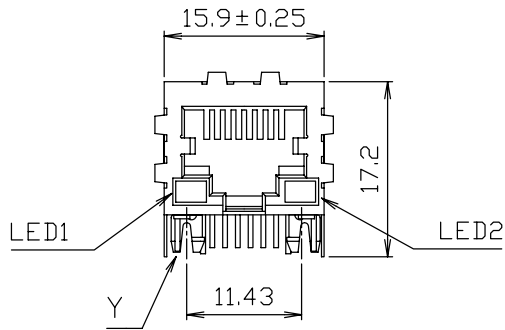
## Contact us

Tel: +86-755-8981 8866 Fax: +86-755-8427 6832

Email & Skype: info@chipsmall.com Web: www.chipsmall.com

Address: A1208, Overseas Decoration Building, #122 Zhenhua RD., Futian, Shenzhen, China

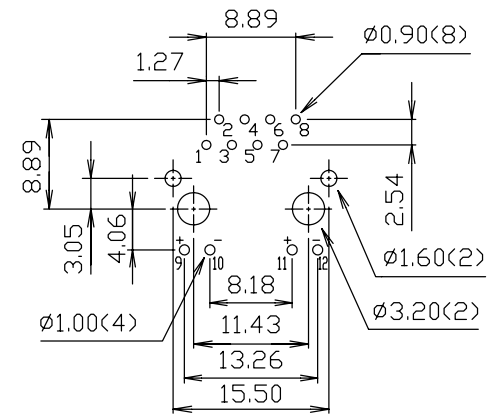




**DETAIL Y**

**MATERIALS:**

- HOUSING-PBT POLYESTER UL94V-0 MIXED GLASS FIBER. STANDARD COLOR-BLACK.
  - CONTACTS-0.35mm THICK PHOS-BRONZE PLATED WITH HARD GOLD AND GOLD FLASH IN SOLDER AREA.
  - SHIELD-0.25mm THICK COPPER ALLOY, PLATED WITH NICKEL.
- CAVITY CONFIRMS TO FCC RULES AND REGULATIONS PART 68,SUBPART F.



PC Board Layout Ref.

**Ordering Information**

AJT33L	8	8	1	X-0	X	4
Type	Positions	Contacts	Ports	Plating 3 = 30u" 4 = 50u"	Top & Side Tabs	

	LED1	LED2		LED1	LED2
1=	Yellow	Green	5=	Green	Red
2=	Green	Green	6=	Red	Green
3=	Green	Yellow	7=	Yellow	Yellow
4=	Green	Orange	8=	Grn/Ylw	Grn/Ylw

**\*Note:** AJT33L has replaced the AJT30L series. Pricing and specifications subject to change. Please review before ordering.

**Tolerance**  
unless otherwise specified  
.0 ± .25  
.00 ± .13  
.000 ± .05



P/N: AJT33L881X-0X4 \*

Desc.: Side entry, shielded, LED, thru hole modular jack

Date: 7-27-09

Dimensions in mm Drawn By: Donna Mears