



Chipsmall Limited consists of a professional team with an average of over 10 year of expertise in the distribution of electronic components. Based in Hongkong, we have already established firm and mutual-benefit business relationships with customers from,Europe,America and south Asia,supplying obsolete and hard-to-find components to meet their specific needs.

With the principle of “Quality Parts,Customers Priority,Honest Operation,and Considerate Service”,our business mainly focus on the distribution of electronic components. Line cards we deal with include Microchip,ALPS,ROHM,Xilinx,Pulse,ON,Everlight and Freescale. Main products comprise IC,Modules,Potentiometer,IC Socket,Relay,Connector.Our parts cover such applications as commercial,industrial, and automotives areas.

We are looking forward to setting up business relationship with you and hope to provide you with the best service and solution. Let us make a better world for our industry!



Contact us

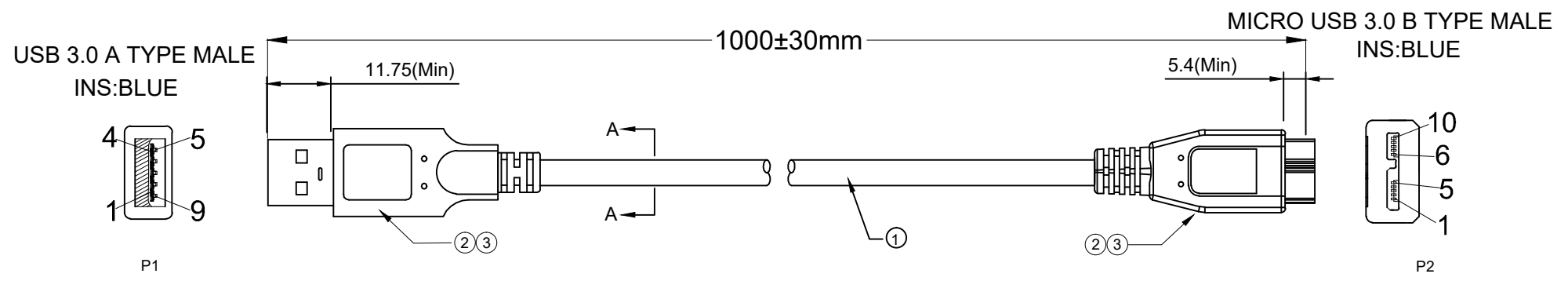
Tel: +86-755-8981 8866 Fax: +86-755-8427 6832

Email & Skype: info@chipsmall.com Web: www.chipsmall.com

Address: A1208, Overseas Decoration Building, #122 Zhenhua RD., Futian, Shenzhen, China



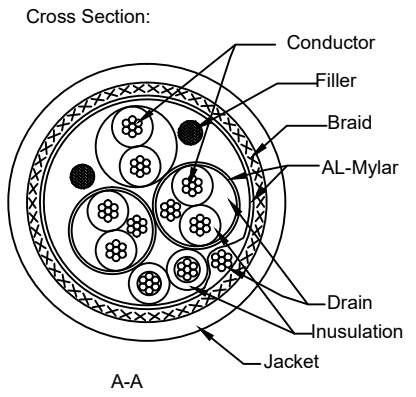
RoHS REACH Compliant



NOTES:

- 1.CABLE: UL 2725 [28AWG(7/0.127TC)*1P+D28AWG(7/0.127TC)+AL/MY]*2C+28AWG(7/0.127TC)*1P+28AWG(7/0.127TC)*2C +D28AWG(7/0.127TC)+AL/MY+B(85% COVERAGE ALM) OD=5.5±0.20mm JACKET COLOR: BLACK HIGH SPEED USB3.0 CABLE AWM STYLE 20276 80 °C 30V VW-1 YWD
- 2.CONNECTOR:
 P1 : USB 3.0 A/M, SOLDER, BLUE INSULATION, 3u GOLD PLATED CONTACTS, NICKEL PLATED SHELL
 P2 : MICRO USB 3.0 B/M, SOLDER, BLUE INSULATION, 3u GOLD PLATED CONTACTS, NICKEL PLATED SHELL
- 3.HOOD: MOLDED TYPE,PVC 45P,COLOR:BLACK.
- 4.ELECTRICLE TEST:
 (1)100% OPEN SHORT & MIS WIRE TEST.
 (2)CONTACT RESISTANCE 3 ohm Max .
 (3)INSULATION RESISTANCE 10M ohm Min .
 (4)HI-POT TEST:DC 300V/10ms

PIN ASSIGNMENT		
P1		P2
1	RED	1 VCC
2	WHITE	2 -DATA
3	GREEN	3 +DATA
4	BLACK	5 GND_PWRrt
5	BLUE	6 SDP1-
6	YELLOW	7 SDP1+
7	D.W	8 SDP1,SDP2_Drain
8	PURPLE	9 SDP2-
9	ORANGE	10 SDP2+
SHELL	B.D	SHELL



	Date	Name	Part No. AK-300116-010-S EAN:4016032283287
Drawn by	Mar.2,2017	Susan	
checked by	Mar.2,2017	Micheal	
Approvedby	Mar.2,2017	Jesse	
ASSMANN Electronic GmbH			Title USB 3.0 A/M - MICRO USB 3.0 B/M CABLE
			Scale Unit