



Chipsmall Limited consists of a professional team with an average of over 10 year of expertise in the distribution of electronic components. Based in Hongkong, we have already established firm and mutual-benefit business relationships with customers from,Europe,America and south Asia,supplying obsolete and hard-to-find components to meet their specific needs.

With the principle of “Quality Parts,Customers Priority,Honest Operation,and Considerate Service”,our business mainly focus on the distribution of electronic components. Line cards we deal with include Microchip,ALPS,ROHM,Xilinx,Pulse,ON,Everlight and Freescale. Main products comprise IC,Modules,Potentiometer,IC Socket,Relay,Connector.Our parts cover such applications as commercial,industrial, and automotives areas.

We are looking forward to setting up business relationship with you and hope to provide you with the best service and solution. Let us make a better world for our industry!



## Contact us

Tel: +86-755-8981 8866 Fax: +86-755-8427 6832

Email & Skype: info@chipsmall.com Web: www.chipsmall.com

Address: A1208, Overseas Decoration Building, #122 Zhenhua RD., Futian, Shenzhen, China



1

2

3

4

5

6

7

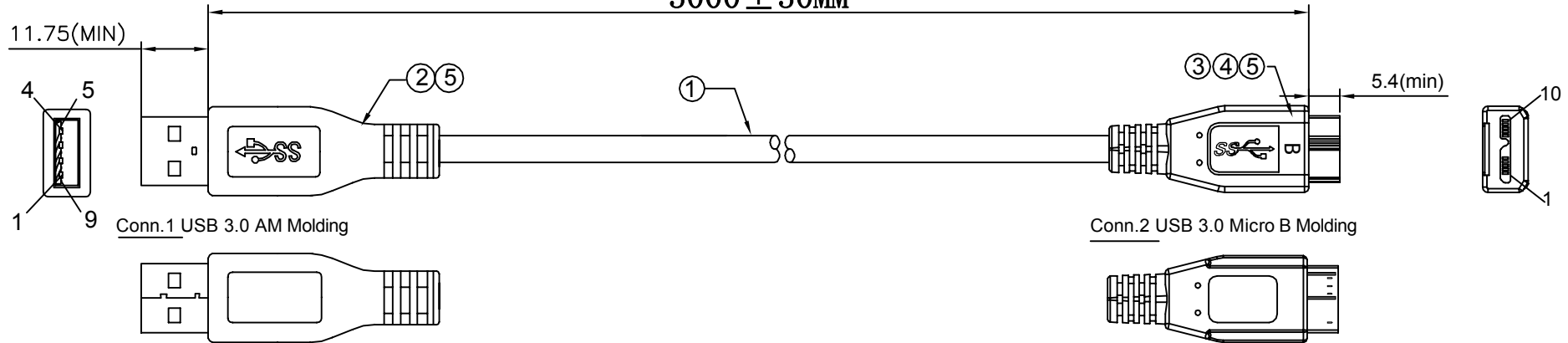
Signature	Revision History	Date	Rev.
Sean	For Bulk Production	Jun.17,2015	01

**RoHS Compliant**

3000 ± 30MM

USB3.0 A MALE  
INS:BLUE

USB3.0 Micro B Male  
INS:BLUE



NOTE:

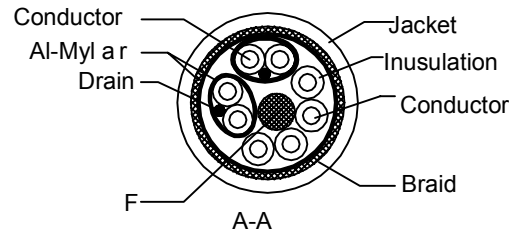
- 1.UL2725 [28AWG(7/0.127TC)\*1P+D(7/0.127TC)+Al-Mylar]\*2C+28AWG(7/0.127TC)\*1P+AL +24AWG(7/0.203 TC)\*2C+Al-Mylar+DW(7/0.127TC)+Braid(Al85% Coverage )  
OD=5.5±0.2mm Jacket Color: Black  
CABLE MUST PRINT: E\*\*\*\*\* AWM STYLE 2725 80C 30V VW-1 SUPER HIGH SPEED USB Revision 3.0
- 2.CONNECTOR P1:USB3.0 A MALE SOLDER,BLUE INSULATION, NI Plated Shell,Pin Gold Plated 5u" .
- 3.CONNECTOR P2:MICRO USB3.0 BM SOLDER,BLUE INSULATION, NI Plated Shell,Pin Gold Plated 5u" .
- 4.Internal Molding transparent PE material
- 5.Outside Molding 45P PVC Color:Black

- (1)100% OPEN SHORT & MIS WIRE TEST.
- (2)CONTACT RESISTANCE 2 ohm Max .
- (3)INSULATION RESISTANCE 10M ohm Min .
- (4)HI-POT TEST:DC 300V/10ms

Pin Assignment

Conn.1	Conn.2
1	1
2	2
3	3
4	4 NC
5	5
6	6
7	7
8	8
9	9
10	10
Shell	Shell

Cross Section:



	Date	Name	Part No.
Drawn by	Jun.17,2015	Sean	AK-300116-030-S
Checked by	Jun.17,2015	Joe	EAN:4016032283300
Approved by	Jun.17,2015	Andy	Title
<b>ASSMANN</b> Electronic GmbH			USB3.0 A Male TO MCIRO BM 3M
			Scale
	Unit	MM	1/2

80218

1

2

3

4

5

6

7

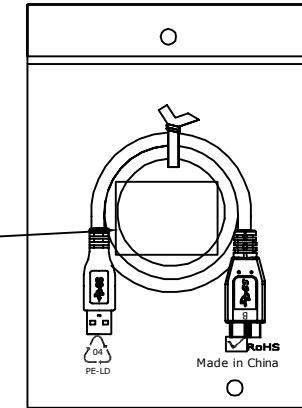
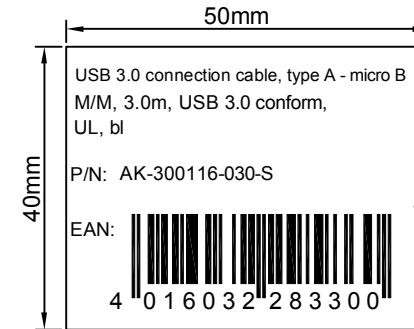
# Package Details

**RoHS Compliant**

## Single Cable

### Single Cable

P/N	Cable Length	Rolling Size (Single Cable)	Polybag Type (Single Cable)	Bag Size (Single Cable)	Article Weight (Single Cable)
AK-300116-030-S	3.0m	mm max.	Ordinary Polybag (Heat Sealed)	245*185*0.05mm	kg

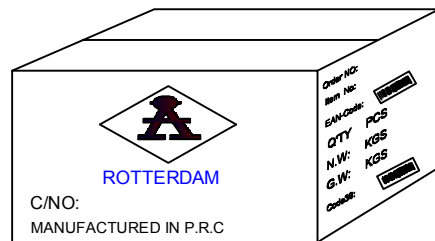
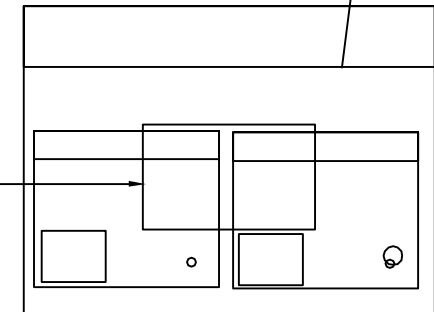
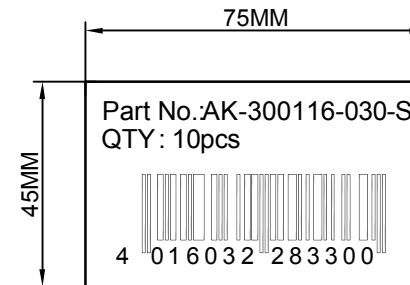


### Inner Packing Unit

P/N	Cable Length	Quantity (Inner Packing Unit)	Type (Inner Packing Unit)	Size (Inner Packing Unit)	Weight (Inner Packing Unit)
AK-300116-030-S	3.0m	10 pcs	Polybag (Heat Sealed)	400*350*0.06MM	kg

### CARTON DETAILS

P/N	Cable Length	Quantity (Carton)	Measurement (Carton)	N.W. (Carton)	G.W. (Carton)
AK-300116-030-S	3.0m	100pcs	cm	kg	kg



\* "ROTTERDAM" is for Sea Freight shipment  
 \* "COLOGNE" is for Air Freight shipment  
 \* "LUDENSCHIED" is for Fedex or UPS shipment

			Part No.
Drawn by	Date	Name	AK-300116-030-S
Checked by	Jun.17,2015	Sean	EAN:4016032283300
Approved by	Jun.17,2015	Joe	
	Jun.17,2015	Andy	

**ASSMANN**  
Electronic GmbH

Title  
USB3.0 A Male TO MICRO BM 3M

Scale	N/A	Sheet 2/2
Unit	MM	