



Chipsmall Limited consists of a professional team with an average of over 10 year of expertise in the distribution of electronic components. Based in Hongkong, we have already established firm and mutual-benefit business relationships with customers from,Europe,America and south Asia,supplying obsolete and hard-to-find components to meet their specific needs.

With the principle of “Quality Parts,Customers Priority,Honest Operation,and Considerate Service”,our business mainly focus on the distribution of electronic components. Line cards we deal with include Microchip,ALPS,ROHM,Xilinx,Pulse,ON,Everlight and Freescale. Main products comprise IC,Modules,Potentiometer,IC Socket,Relay,Connector.Our parts cover such applications as commercial,industrial, and automotives areas.

We are looking forward to setting up business relationship with you and hope to provide you with the best service and solution. Let us make a better world for our industry!



## Contact us

Tel: +86-755-8981 8866 Fax: +86-755-8427 6832

Email & Skype: info@chipsmall.com Web: www.chipsmall.com

Address: A1208, Overseas Decoration Building, #122 Zhenhua RD., Futian, Shenzhen, China



1

2

3

4

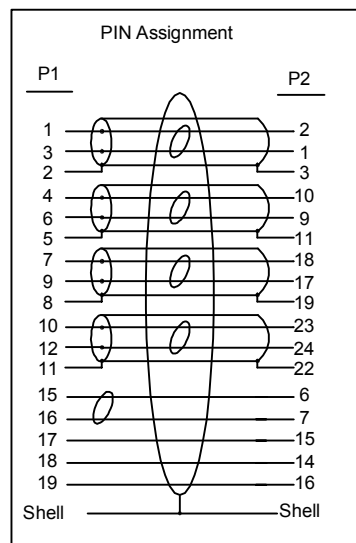
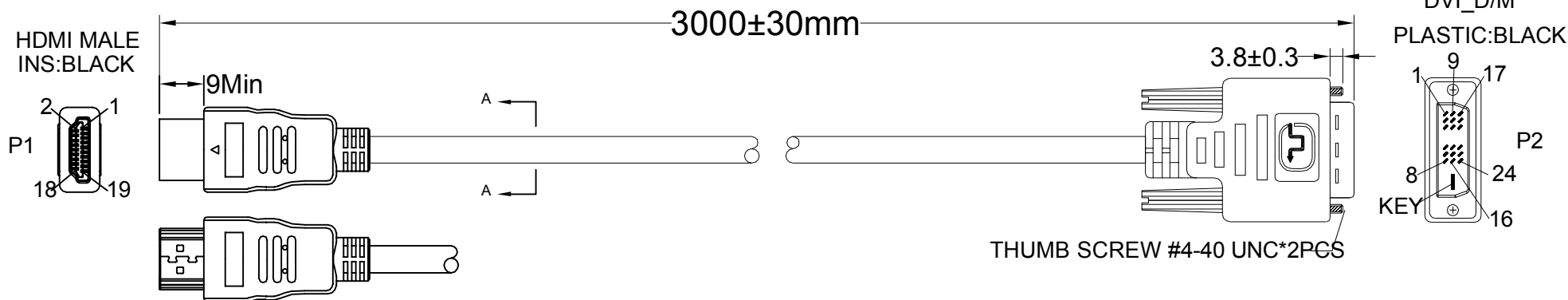
5

6

7

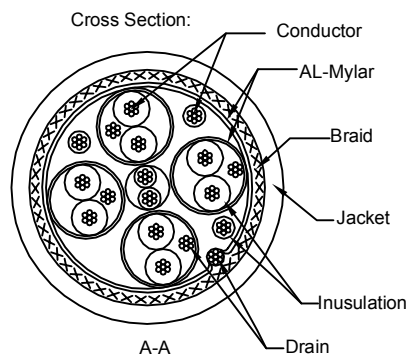
Signature	Revision History	Date	Rev.
Sean	For Bulk Production	Jul.09,2014	01

RoHS Compliant



## NOTE:

- CABLE:UL20276 [30AWG(7/0.10T.C)\*1P INS:FOAM-SKIN-PE+D.W(7/0.127T.C)+AL/MY]\*4C +28AWG(7/0.127T.C)\*1P INS:HD-PE+30AWG(7/0.10T.C)\*3C INS:HD-PE+AL/MY +DRAIN WIRE(7/0.10T.C)+BRAID(85%AL/Mg) PVC JACKET;OD:6.0±0.2mm COLOR:BLACK .
- CONNECTOR:  
P1:HDMI 19P MALE CONTACT:3u" SHELL:GOLD PLATED .  
P2:DVI\_D 18P+KEY MALE CONTACT:3u" SHELL:GOLD PLATED .
- SHIELD:P1:INNER MOLD MUST BE WRAPPED COPPER 360° TO CONNECTOR SHELL&CABLE BRAID .  
P2:COPPER FOIL 360° SOLDER TO CONNECTOR SHELL&CABLE BRAID .
- HOOD:P1&P2: MOLDED TYPE,PVC 45P,COLOR:BLACK .
- TEST REQUEST:  
(1) 100% OPEN SHORT & MIS WIRE TEST .  
(2) CONTACT RESISTANCE 5 OHM Max .  
(3) INSULATION RESISTANCE 10M OHM Min .
- PACKING:EACH PC / POLYBAG + LABEL .



80497

	Date	Name	Part No.
Drawn by	Jul.09,2014	Sean	<b>AK-330300-030-S</b>
Checked by	Jul.09,2014	Joe	EAN:4016032295921
Approved by	Jul.09,2014	Andy	
<b>ASSMANN</b> Electronic GmbH			Title
			HDMI 19P/M - DVI_D/M CABLE
			Scale N/A Unit MM
			Sheet 1/2

1

2

3

4

5

6

7

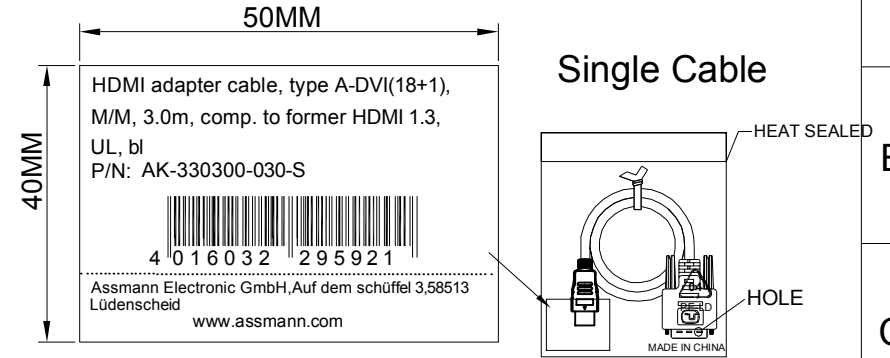
# Package Details

**RoHS Compliant**

Signature	Revision History	Date	Rev.
Sean	For Bulk Production	Jul.09,2014	01

## Single Cable

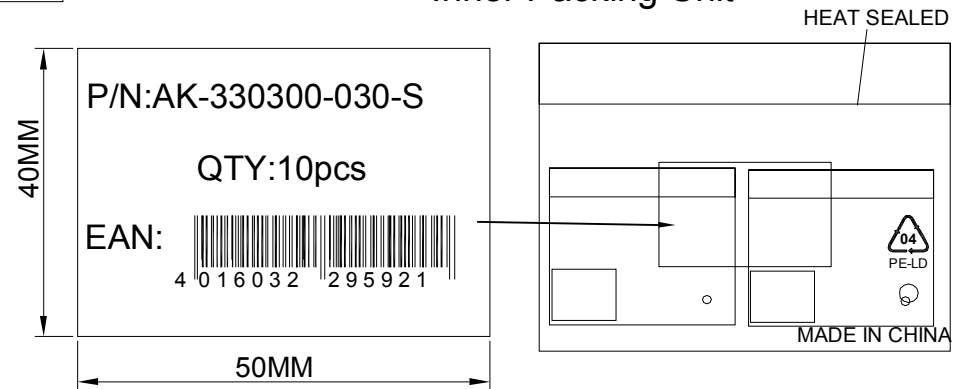
P/N	Cable Length	Rolling Size (Single Cable)	Polybag Type (Single Cable)	Bag Size (Single Cable)	Article Weight (Single Cable)
AK-330300-030-S	3m	180 mm max.	Ordinary Polybag (Heat Sealed)	240*170*0.05mm	0.17kg



## Inner Packing Unit

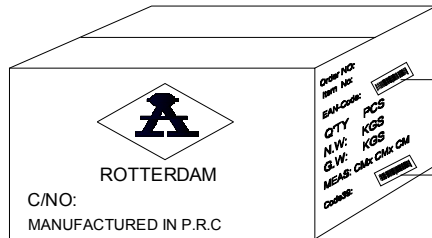
P/N	Cable Length	Quantity (Inner Packing Unit)	Type (Inner Packing Unit)	Size (Inner Packing Unit)	Weight (Inner Packing Unit)
AK-330300-030-S	3m	10 pcs	Polybag (Heat Sealed)	400*400*0.05mm	1.66kg

## Inner Packing Unit



## CARTON DETAILS

P/N	Cable Length	Quantity (Carton)	Measurement (Carton)	N.W. (Carton)	G.W. (Carton)
AK-330300-030-S	3m	80pcs	38.1x30.2x31.1cm	13.1kg	14kg



EAN code LABEL size:45\*20mm



Code 39 LABEL size:45\*20mm

	Date	Name
Drawn by	Jul.09,2014	Sean
Checked by	Jul.09,2014	Joe
Approved by	Jul.09,2014	Andy

Part No.  
**AK-330300-030-S**  
EAN:4016032295921

**ASSMANN**  
Electronic GmbH

Title  
HDMI 19P/M - DVI\_D/M CABLE

Scale	N/A	Sheet
Unit	MM	2/2

80497

- \* "ROTTERDAM" is for Sea Freight shipment
- \* "COLOGNE" is for Air Freight shipment
- \* "LUDENSCHIED" is for Fedex or UPS shipment