



Chipsmall Limited consists of a professional team with an average of over 10 year of expertise in the distribution of electronic components. Based in Hongkong, we have already established firm and mutual-benefit business relationships with customers from,Europe,America and south Asia,supplying obsolete and hard-to-find components to meet their specific needs.

With the principle of “Quality Parts,Customers Priority,Honest Operation,and Considerate Service”,our business mainly focus on the distribution of electronic components. Line cards we deal with include Microchip,ALPS,ROHM,Xilinx,Pulse,ON,Everlight and Freescale. Main products comprise IC,Modules,Potentiometer,IC Socket,Relay,Connector.Our parts cover such applications as commercial,industrial, and automotives areas.

We are looking forward to setting up business relationship with you and hope to provide you with the best service and solution. Let us make a better world for our industry!



## Contact us

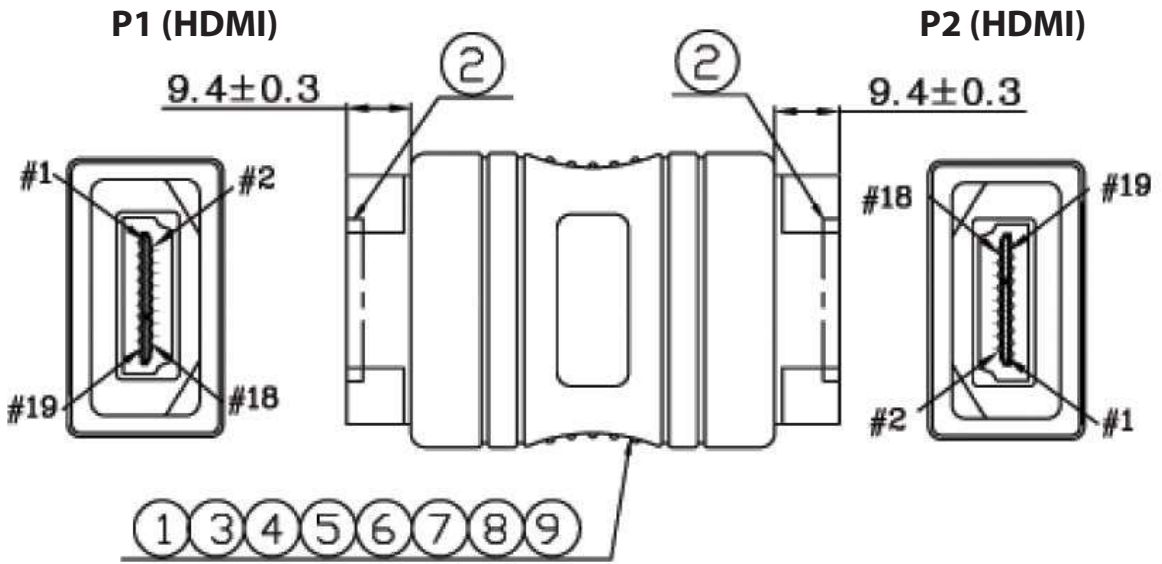
Tel: +86-755-8981 8866 Fax: +86-755-8427 6832

Email & Skype: info@chipsmall.com Web: www.chipsmall.com

Address: A1208, Overseas Decoration Building, #122 Zhenhua RD., Futian, Shenzhen, China



A  
B  
C  
D  
E  
F  
G  
H



PIN ASSIGNMENT

P1	P2
1	1
3	3
2	2
4	4
6	6
5	5
7	7
8	8
10	10
12	12
11	11
13	13
15	15
16	16
17	17
19	19
18	18
S	S

NO	TYPE	DESCRIPTION	QTY	UNIT
*	XXXXXX	LABEL 50*25MM	403/400	PCS
*	330010004079		42/400	PCS
*	390	PE BAG 30*28*0.08MM	1/400	PCS
*	390	CARTON 46*30*20CM	1/400	PCS
*	390	PE BAG 6*8*0.06MM	1/10	PCS
*	370	PE BAG 3.5*3.5*0.06MM	1	PCS
9	120010000031	PVC-BLACK 10/50	6.5	G
8	230020000018	SOL-WIRE-FULL TIN-1.2	2.0	G
7	210010000096	FOIL-CU 18*45MM	1	PCS
6	210030000144	HI TEAMP TAPE W:8MM L:70MM	1	PCS
5	120020000001	PE-5321	3.5	G
4	230020000014	SOL-WIRE-FULL TIN-1.0	1.0	G
3	PDN0027A	PCB : DN0027	1	PCS
2	220050000107		2	PCS
1	110640000065	HDMI A type Conn ,FEMALE	2	PCS



Scale	1:1					Name
TOLERANCE					Drawn	12.07.11
X.X	±0.40				Chappell	
X.XX	±0.25			Approved		
X.XXX	±0.15					
Angle	±3°					
		Modification	Date	Name		

Item No.	<b>AB560-R</b>	
Title		HDMI A to HDMI A, Adapter F-F
Drawing No.		
Replace	rev00	
Sheet		